

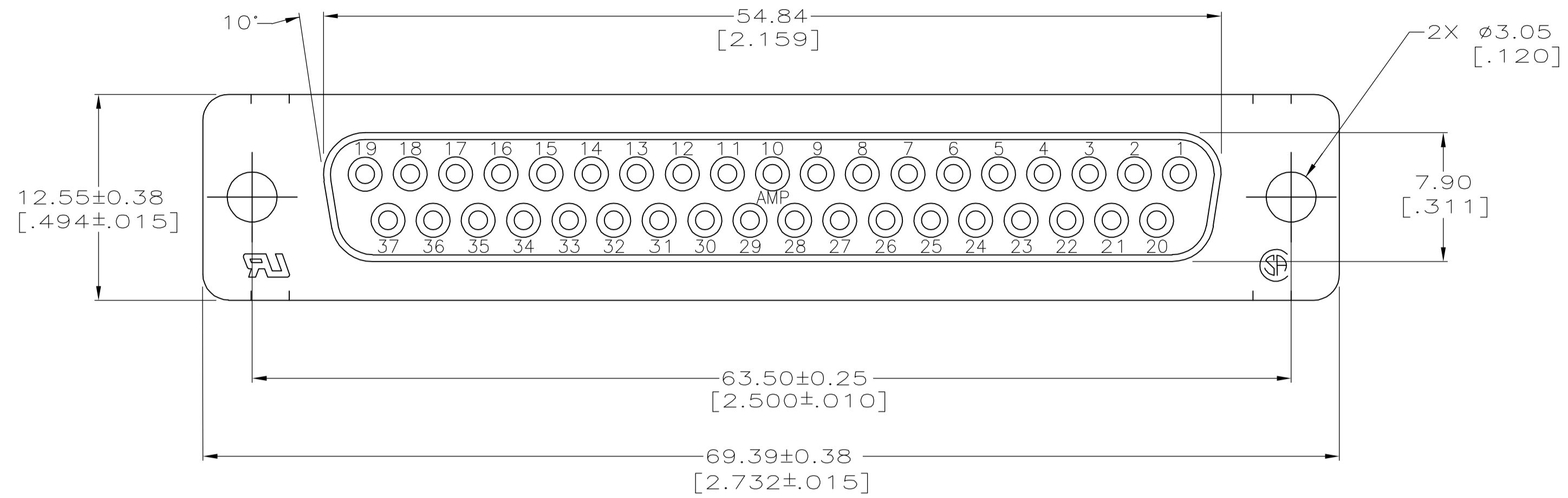
Distributed by:

JAMECO[®]
ELECTRONICS

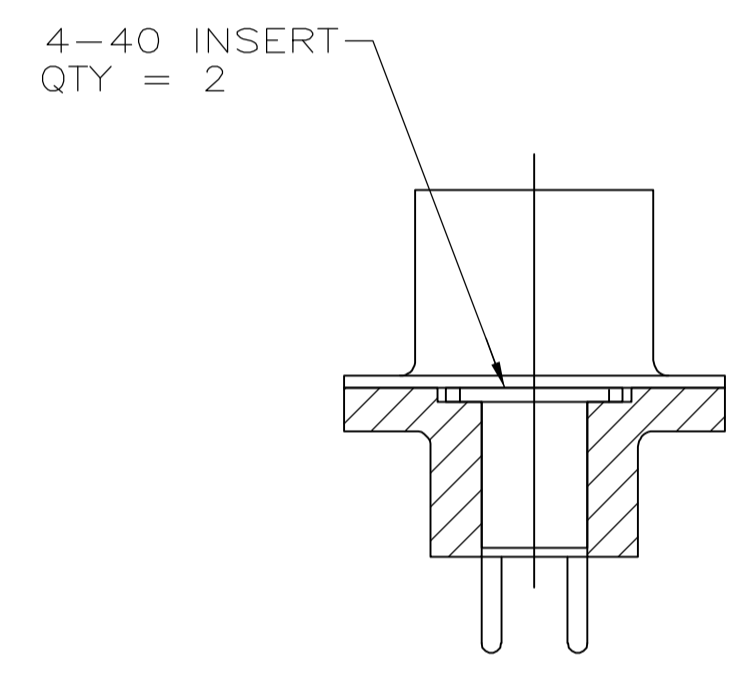
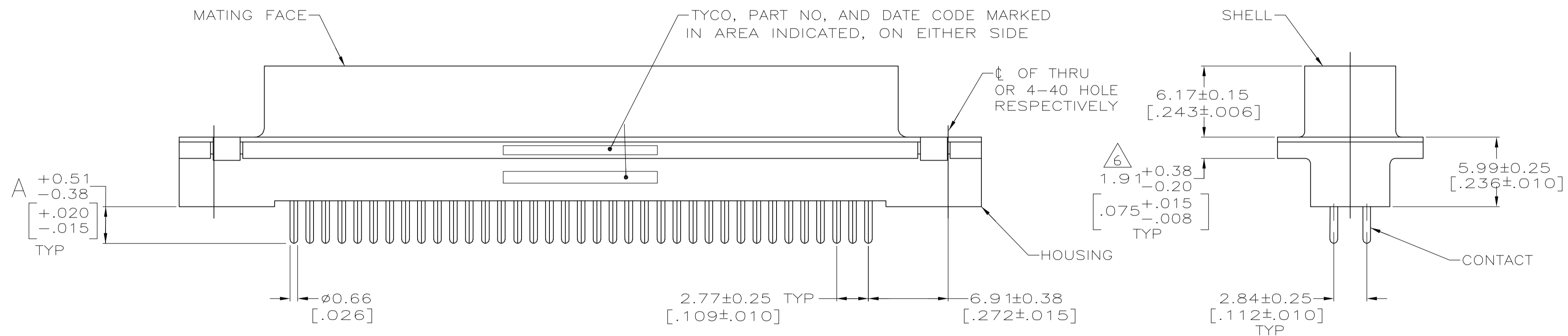
www.Jameco.com ♦ 1-800-831-4242

The content and copyrights of the attached
material are the property of its owner.

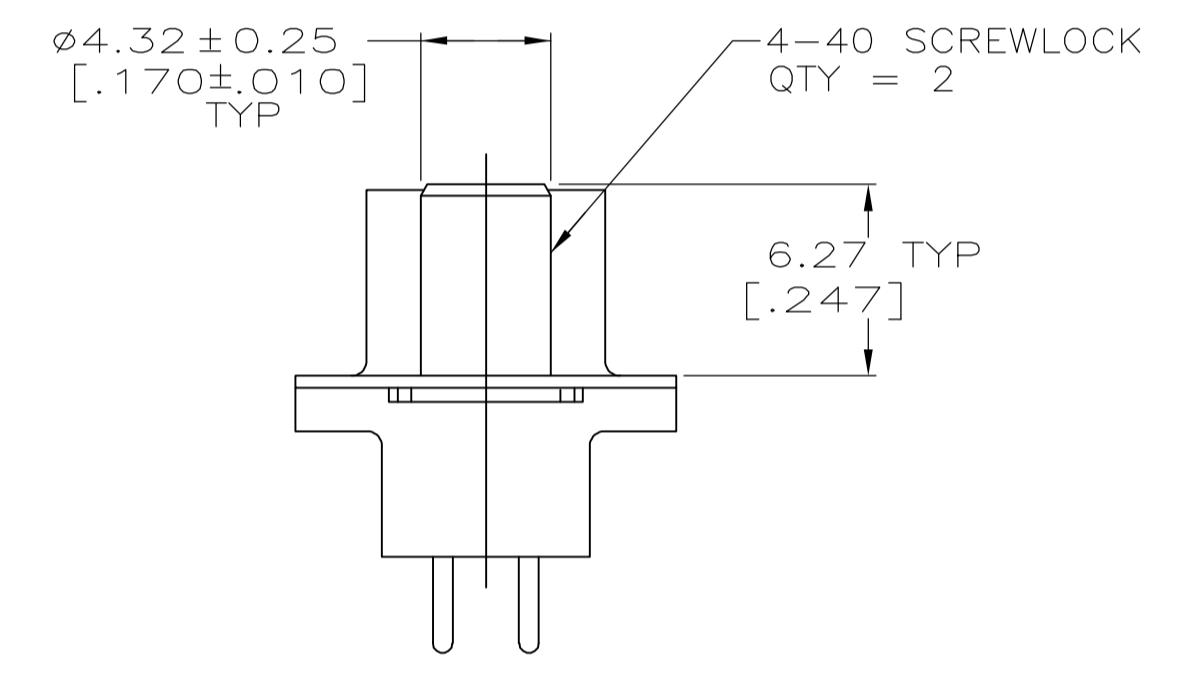
Jameco Part Number 755251



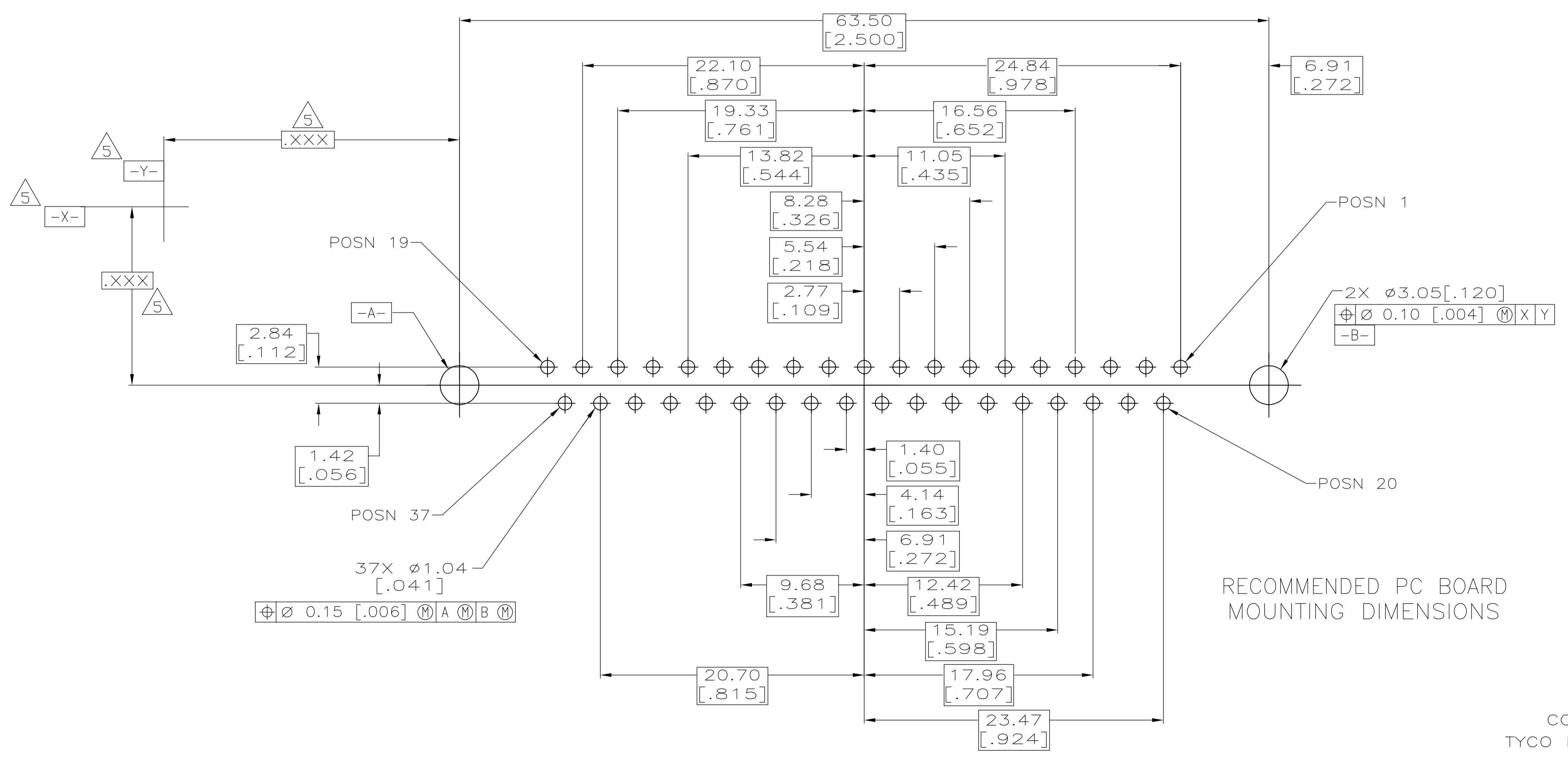
- 1 HOUSING: BLACK POLYESTER, UL 94V-0 RATED
 CONTACTS: PHOSPHOR BRONZE
 SHELL: CARBON STEEL
 SCREWLOCKS: ZINC
 INSERTS: BRASS
- 2 SHELL: 5.08µm[.000200] MIN TIN OVER 2.54µm[.000100] MIN COPPER.
 CONTACTS: SEE TABLE
 INSERTS: UNPLATED.
 SCREWLOCKS: CLEAR CHROMATE.
- 3 GOLD FLASH FOR A LENGTH OF 2.54 [.100] MIN FROM MATING END, 2.54µm[.000100] MIN TIN ON OPPOSITE END, BOTH OVER 1.27µm[.000050] MIN NICKEL.
- 4 0.76µm[.000030] MIN GOLD FOR A LENGTH OF 2.54 [.100] MIN FROM MATING END, 2.54µm[.000100] MIN TIN ON OPPOSITE END, BOTH OVER 1.27µm[.000050] MIN NICKEL.
- 5 DATUMS AND BASIC DIMENSIONS ESTABLISHED BY CUSTOMERS.
- 6 2.79 [.110] MAX IN SHELL TAB CLINCH AREAS.



DETAIL D



DETAIL E



RECOMMENDED PC BOARD MOUNTING DIMENSIONS

COPYRIGHT 2005
 TYCO ELECTRONICS CORP
 ALL RIGHTS RESERVED

4.32 [.170]	4-40 SCREWLOCK (DETAIL E)	4	1-5747301-6
3.18 [.125]	4-40 SCREWLOCK (DETAIL E)	4	1-5747301-4
3.18 [.125]	4-40 INSERT (DETAIL D)	4	5747301-8
3.18 [.125]	4-40 INSERT (DETAIL D)	3	5747301-7
3.18 [.125]	-	4	5747301-2
A	MOUNTING HARDWARE	CONTACT FINISH	PART NO

THIS DRAWING IS A CONTROLLED DOCUMENT.		DWG: B. LATTUCA	22SEPT05	Tyco Electronics Corporation Harrisburg, PA 17105-3608
DIMENSIONS: mm[INCHES]		CHK: S. BOLASH	22SEPT05	
TOLERANCES UNLESS OTHERWISE SPECIFIED:		APP'D: M. WALMSLEY	22SEPT05	NAME: RECEPTACLE ASSEMBLY, SIZE 4, 37 POSN, VERTICAL, FRONT METAL SHELL, AMPLIMITE HD-20
0 PLC ± -		PRODUCT SPEC: 108-40025	APPLICATION SPEC: 114-40023	
1 PLC ± ±		SIZE: A1	SCALE: 4:1	WEIGHT: - CUSTOMER DRAWING
2 PLC ± ± 0.13 [.005]		DATE: 00779	DRAWING NO: 5747301	
3 PLC ± ±		REV: A	SHEET: 1 of 1	RESTRICTED TO: -
4 PLC ± ±		SCALE: 4:1		REV: A
ANGLES ± ±		SHEET: 1 of 1		REV: A