

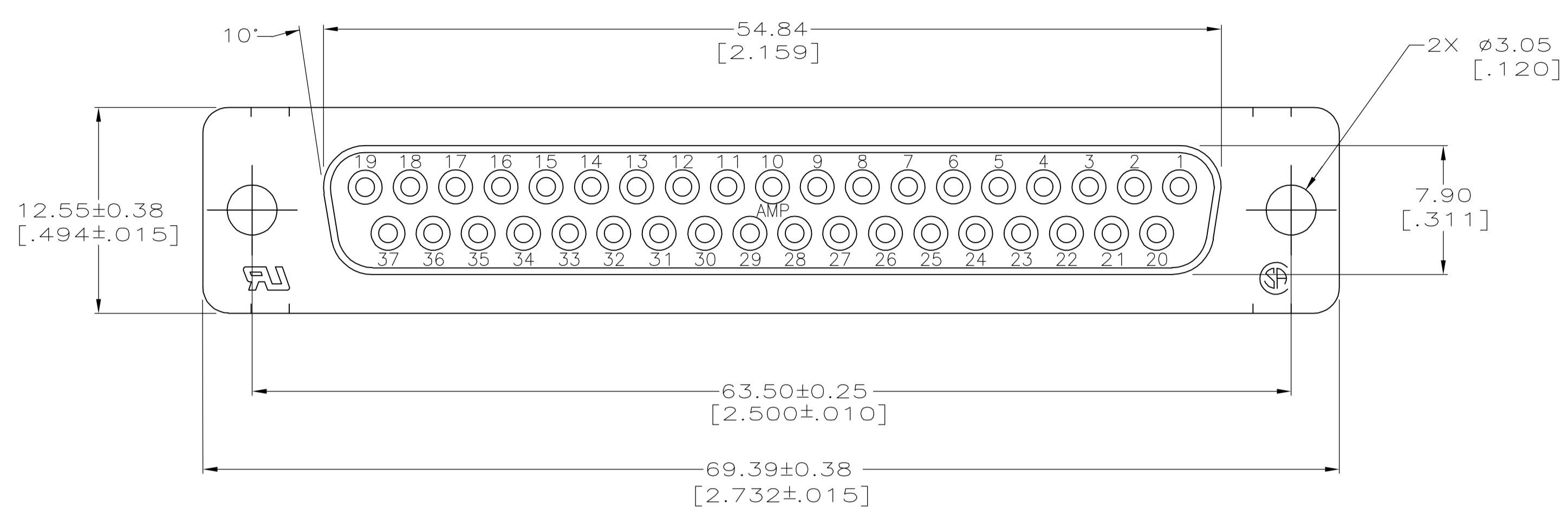
Distributed by:

JAMECO[®]
ELECTRONICS

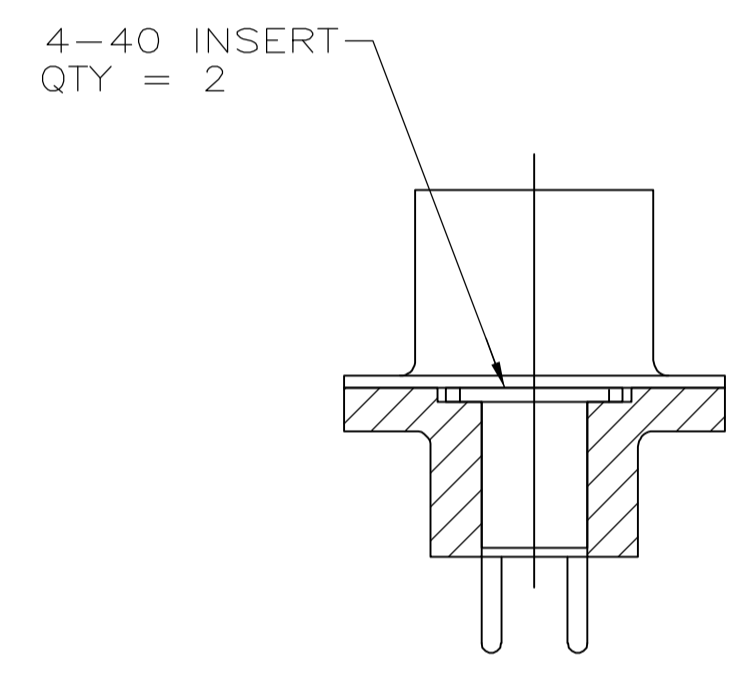
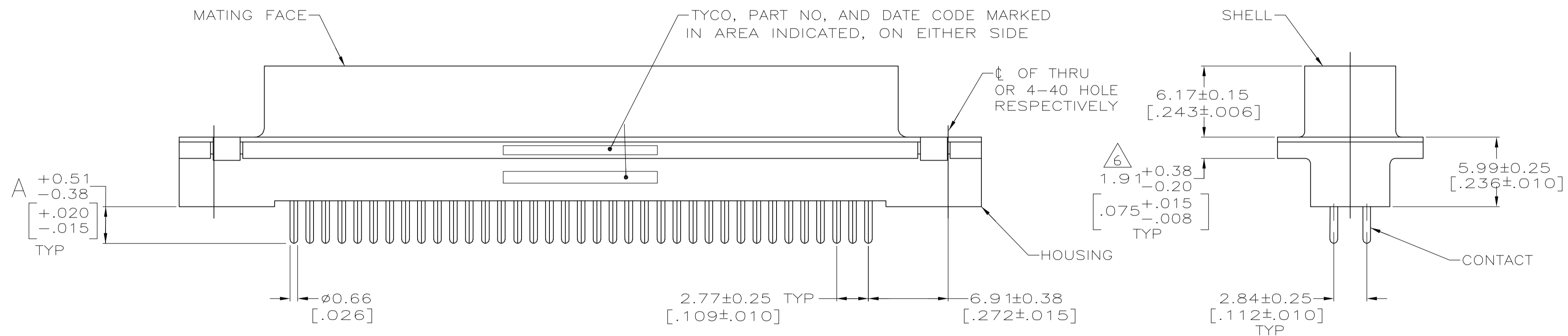
www.Jameco.com ♦ 1-800-831-4242

The content and copyrights of the attached
material are the property of its owner.

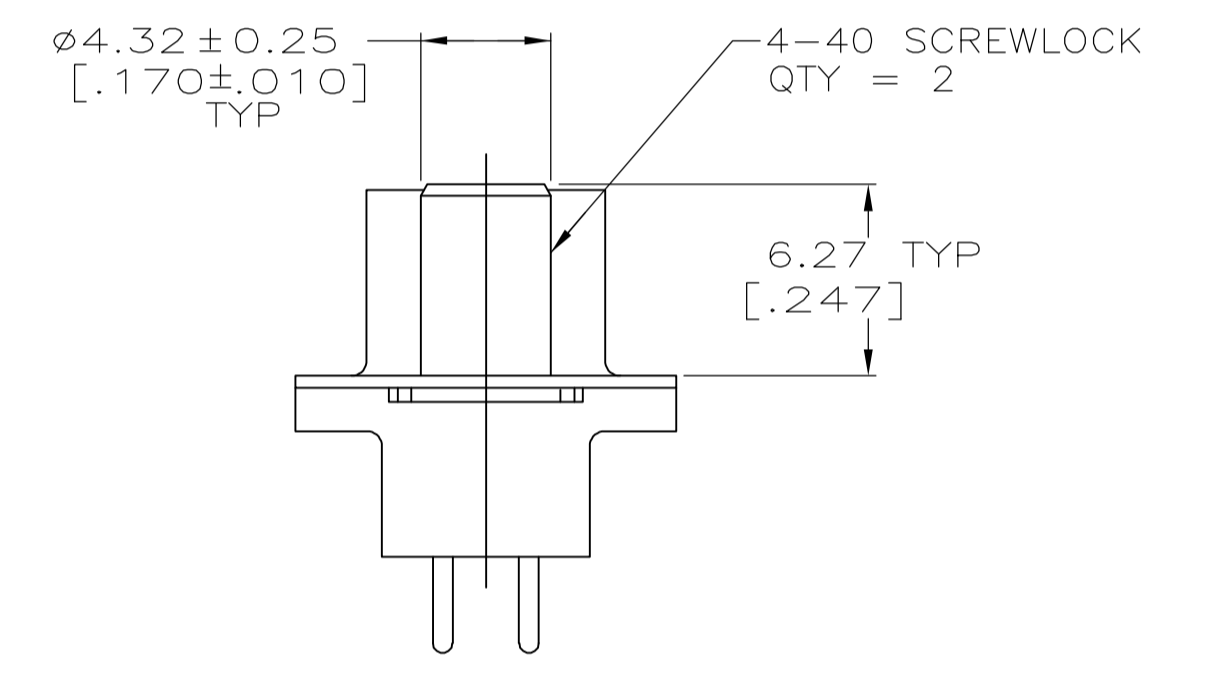
Jameco Part Number 1974966



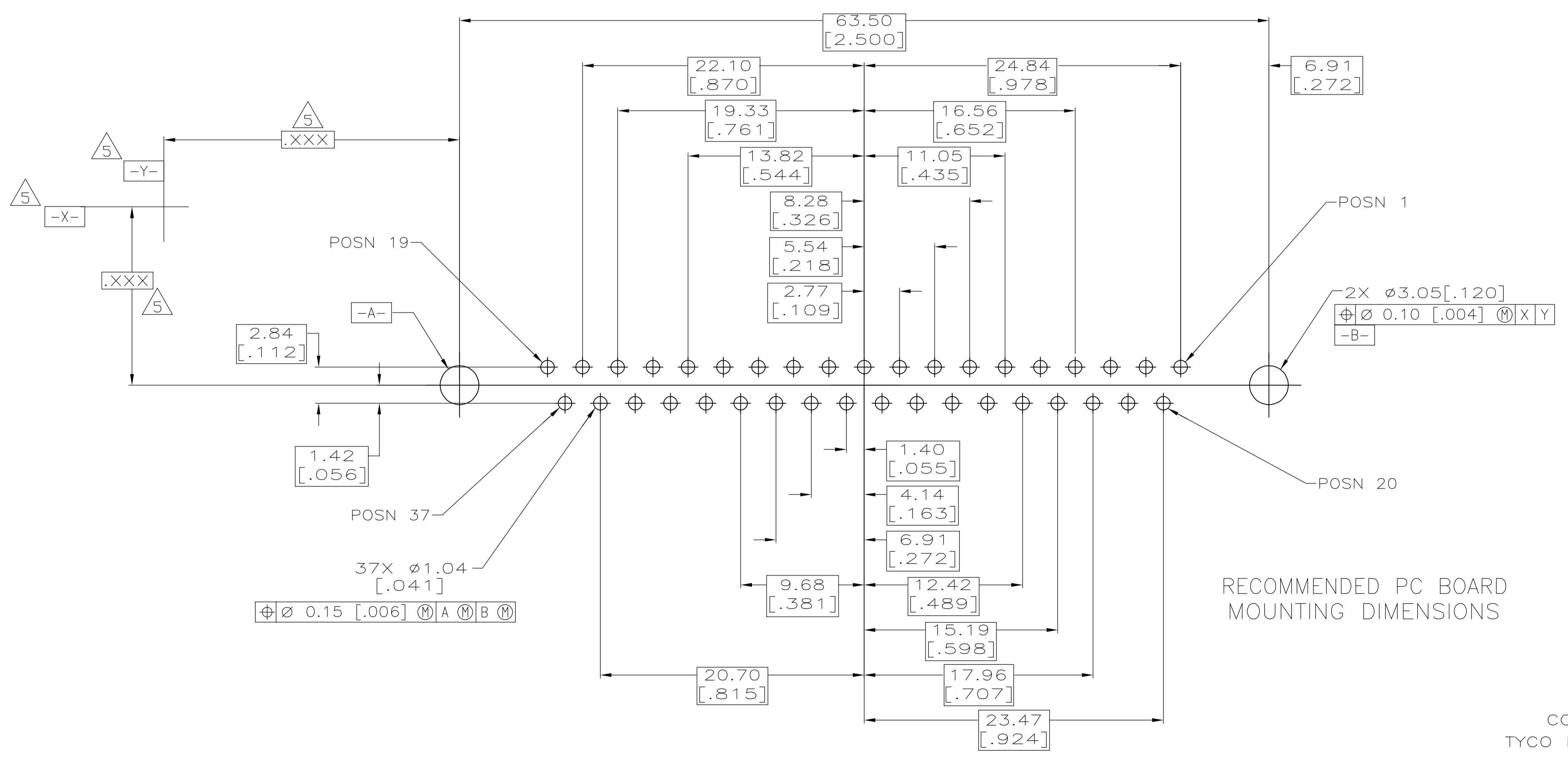
- 1 HOUSING: BLACK POLYESTER, UL 94V-0 RATED
CONTACTS: PHOSPHOR BRONZE
SHELL: CARBON STEEL
SCREWLOCKS: ZINC
INSERTS: BRASS
- 2 SHELL: 5.08µm[.000200] MIN TIN OVER 2.54µm[.000100] MIN COPPER.
CONTACTS: SEE TABLE
INSERTS: UNPLATED.
SCREWLOCKS: CLEAR CHROMATE.
- 3 GOLD FLASH FOR A LENGTH OF 2.54 [.100] MIN FROM MATING END, 2.54µm[.000100] MIN TIN ON OPPOSITE END, BOTH OVER 1.27µm[.000050] MIN NICKEL.
- 4 0.76µm[.000030] MIN GOLD FOR A LENGTH OF 2.54 [.100] MIN FROM MATING END, 2.54µm[.000100] MIN TIN ON OPPOSITE END, BOTH OVER 1.27µm[.000050] MIN NICKEL.
- 5 DATUMS AND BASIC DIMENSIONS ESTABLISHED BY CUSTOMERS.
- 6 2.79 [.110] MAX IN SHELL TAB CLINCH AREAS.



DETAIL D



DETAIL E



RECOMMENDED PC BOARD MOUNTING DIMENSIONS

COPYRIGHT 2005
TYCO ELECTRONICS CORP
ALL RIGHTS RESERVED

| | | | |
|-------------|---------------------------|----------------|-------------|
| 4.32 [.170] | 4-40 SCREWLOCK (DETAIL E) | 4 | 1-5747301-6 |
| 3.18 [.125] | 4-40 SCREWLOCK (DETAIL E) | 4 | 1-5747301-4 |
| 3.18 [.125] | 4-40 INSERT (DETAIL D) | 4 | 5747301-8 |
| 3.18 [.125] | 4-40 INSERT (DETAIL D) | 3 | 5747301-7 |
| 3.18 [.125] | - | 4 | 5747301-2 |
| A | MOUNTING HARDWARE | CONTACT FINISH | PART NO |

| | | | | |
|--|--|---------------------|-----------|--|
| THIS DRAWING IS A CONTROLLED DOCUMENT. | | DWG B. LATTUCA | 22SEPT05 | Tyco Electronics Corporation Harrisburg, PA 17105-3608 |
| DIMENSIONS: mm[INCHES] | | CHK S. BOLASH | 22SEPT05 | |
| TOLERANCES UNLESS OTHERWISE SPECIFIED: | | APPD M. WALMSLEY | 22SEPT05 | RECEPTACLE ASSEMBLY, SIZE 4, 37 POSN, VERTICAL, FRONT METAL SHELL, AMPLIMITE HD-20 |
| 0 PLC ± - | | NAME | 108-40025 | |
| 1 PLC ± ± | | PRODUCT SPEC | 114-40023 | |
| 2 PLC ± ± 0.13 [.005] | | APPLICATION SPEC | 114-40023 | |
| 3 PLC ± ± | | SIZE | A1 | CUSTOMER DRAWING |
| 4 PLC ± ± | | WEIGHT | 00779 | |
| ANGLES ± ± | | SCALE | 4:1 | SHEET 1 OF 1 |
| FINISH | | REV | A | |