



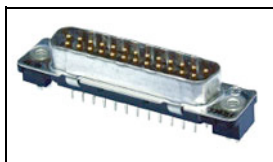
Have a Question?
 Chat with a Product Information Specialist

What can we help you find?

[Products](#) [Industries](#) [Resources](#) [About TE](#) [My Account](#) [Innovation](#) [Support Center](#)

5747375-2 Product Details

[Share](#) [Print](#) [Email](#)



5747375-2

TE Internal Number: 5747375-2

Active

[View 3D PDF](#)

Standard Board Mount Connectors

Always EU RoHS/ELV Compliant (Statement of Compliance)

Product Highlights:

- 37 Positions
- Connector Style = Plug
- PCB Mounting Orientation = Vertical
- Product Series = HD 20
- Without Mating Connector Lock

[View all Features](#)

Quick Links

- ▶ [Pricing & Availability](#)
- ▶ [Search for Tooling](#)
- ▶ [View Mating Products \(4\)](#)
- ▶ [Product Feature Selector](#)
- ▶ [Contact Us About This Product](#)

[Add to My Part List](#) [Request Sample](#) [Find Similar Products](#) [Buy Product](#)

Documentation & Additional Information

Product Drawings:

- [PLUG ASSEMBLY, SIZE 4, 37 POSITION, VERTICAL, FRONT ...](#) (PDF, English)

Catalog Pages/Data Sheets:

- [AMPLIMITE Subminiature D Connectors - Straight Poste...](#) (PDF, English)

Product Specifications:

- [AMPLIMITE HD-20 PCB Mounted Connector](#) (PDF, English)

Application Specifications:

- [AMPLIMITE HD-20 Straight Solder Contact Tine, Front ...](#) (PDF, English)

Instruction Sheets:

- None Available

CAD Files: (CAD Format & Compression Information)

- [2D Drawing](#) (DXF, Version B)
- [3D Model](#) (IGES, Version B)
- [3D Model](#) (STEP, Version B)

[List all Documents](#)

Additional Information:

- [Product Line Information](#)

Additional Product Images:

- [Product Photo](#)

Related Products:

- [Tooling](#)
- [Mating Products \(4\)](#)

Product Features (Please use the Product Drawing for all design activity)

Product Type Features:

- [PCB Mounting Orientation](#) = Vertical
- [Product Series](#) = HD 20
- [Mating Connector Lock](#) = Without
- [PCB Mount Retention](#) = With
- [PCB Mount Retention Type](#) = Mounting Hole(s)
- [Shell Type](#) = Front Metal Shell
- [Shell Size](#) = 4
- [Grounding Indents](#) = With
- [Grounding Straps](#) = Without
- [PCB Mount Style](#) = Through Hole
- [Color Code](#) = None
- [Sealed](#) = No
- [Profile](#) = Standard
- [Post Size \(mm \[in\]\)](#) = 0.66 [.026]
- [Mounting Hole Diameter \(mm \[in\]\)](#) = 3.05 [.120]
- [Shell Material](#) = Steel

Mechanical Attachment:

- [Panel Mount Retention](#) = Without

Termination Features:

- [Grounding Clips](#) = Without
- [Termination Post Length \(mm \[in\]\)](#) = 3.18 [0.125]
- [Solder Tail Contact Plating](#) = Tin over Nickel

Dimensions:

- [PCB Thickness, Recommended \(in \[mm\]\)](#) = 0.062 - 0.093 [1.57 - 2.36]

Body Features:

- [Shell Plating](#) = Tin

Contact Features:

- [Contact Plating, Mating Area, Material](#) = Gold (30)
- [Contact Shape](#) = Round
- [Contact Base Material](#) = Brass

Housing Features:

- [Connector Style](#) = Plug
- [UL Flammability Rating](#) = UL 94V-0
- [Housing Material](#) = Thermoplastic - GF

Configuration Features:

- [Number of Positions](#) = 37

Industry Standards:

- [RoHS/ELV Compliance](#) = RoHS compliant, ELV compliant
- [Lead Free Solder Processes](#) = Wave solder capable to 240°C, Wave solder capable to 260°C, Wave solder capable to 265°C
- [RoHS/ELV Compliance History](#) = Always was RoHS compliant

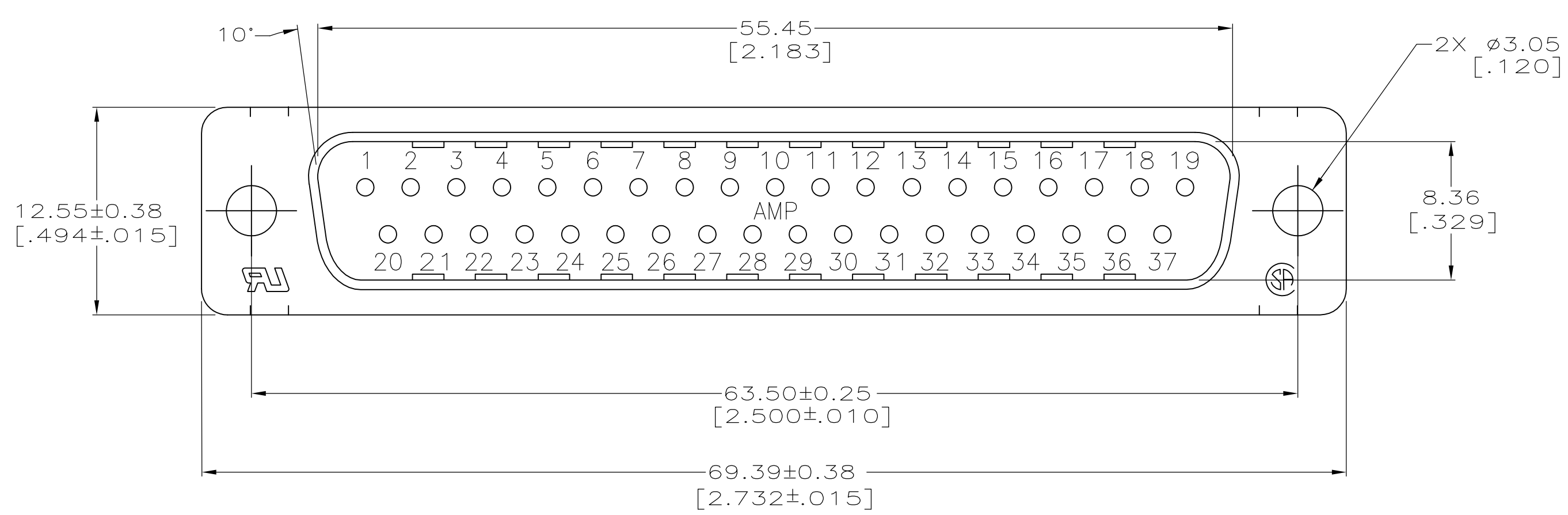
Operation/Application:

- [Application](#) = Standard

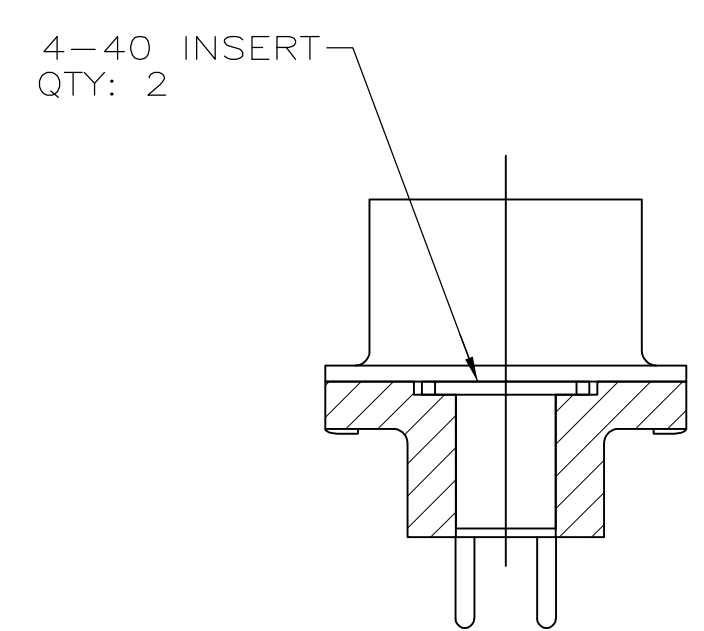
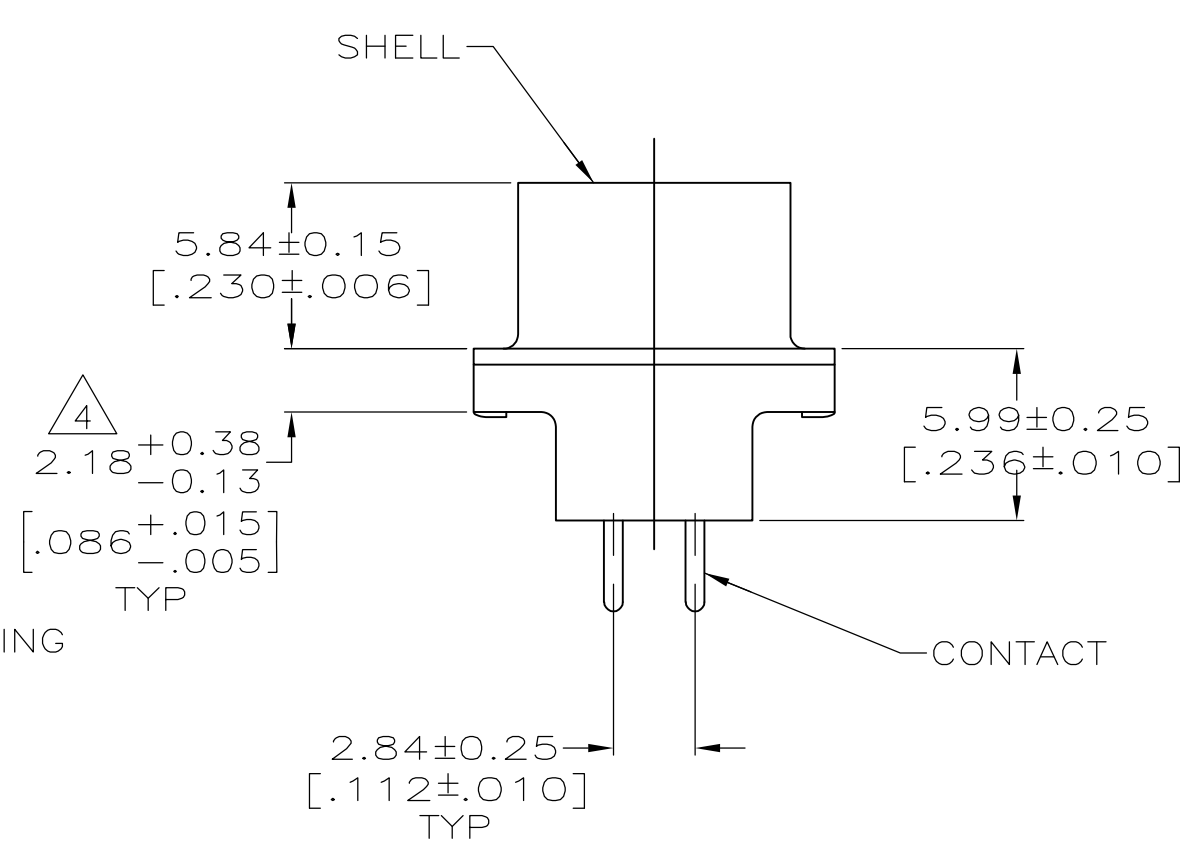
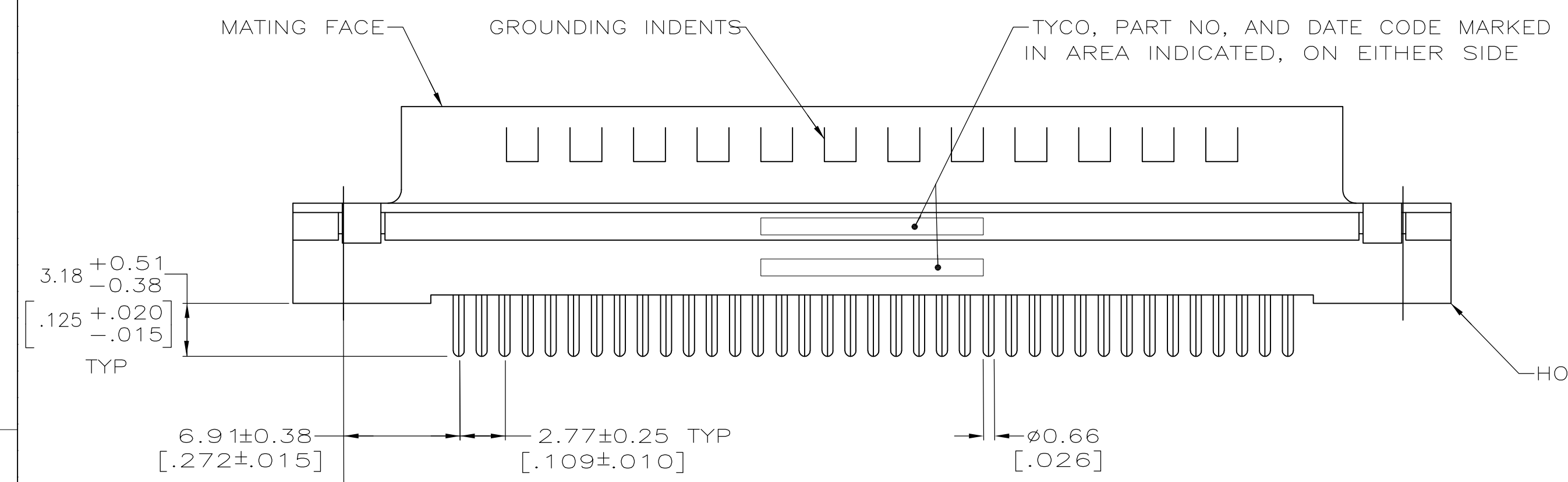
Other:

- [Brand](#) = AMP
- [Comment](#) = Plugs are preloaded with size 20 DF posted pin contacts

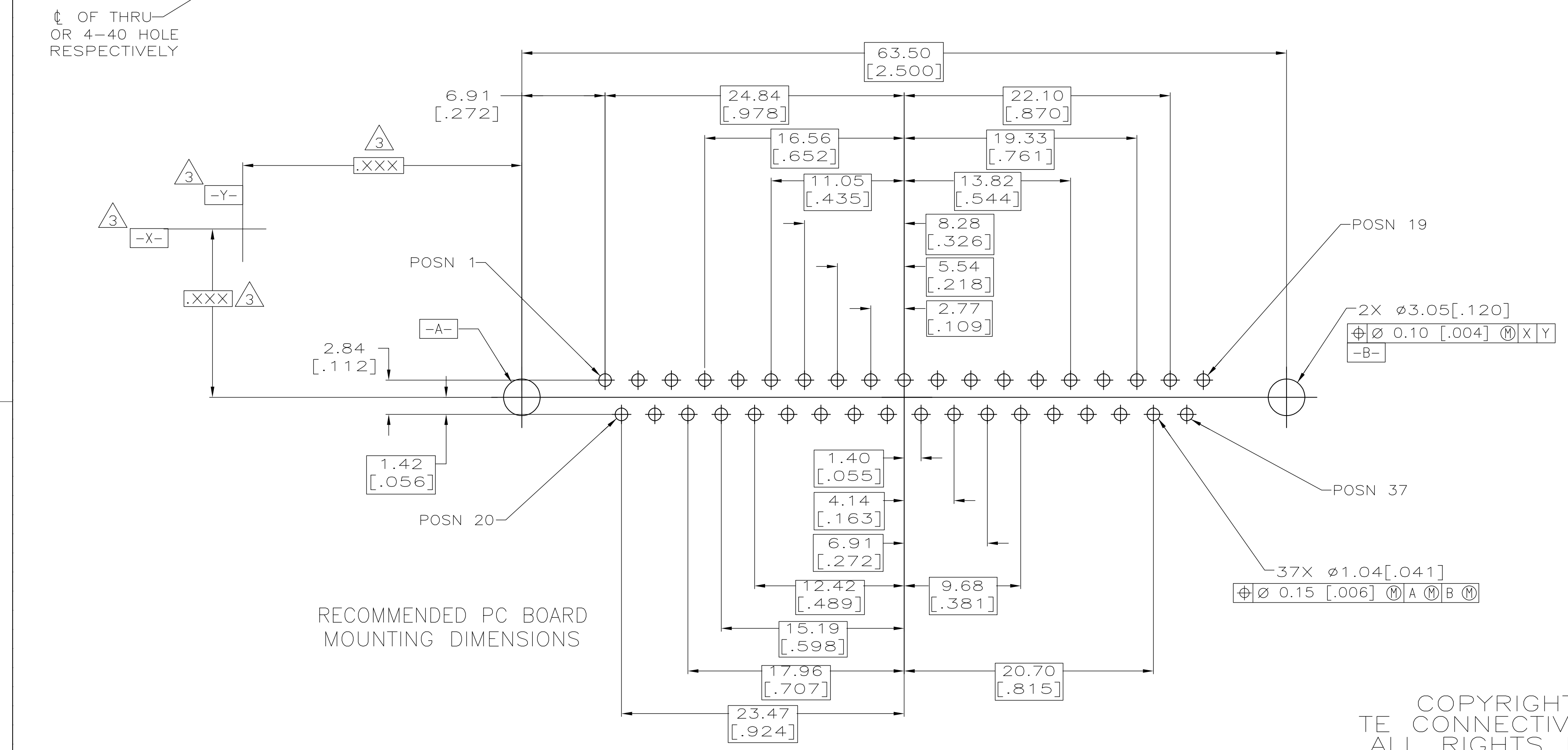
LOC	DIST	REVISIONS			
P	LTR	DESCRIPTION	DATE	DWN	APVD
B1		REVISED PER ECO-11-004835	11MAR11	RK	HMR



- 1 HOUSING: BLACK POLYESTER, UL 94V-0 RATED
CONTACTS: BRASS
SHELL: CARBON STEEL
INSERTS: BRASS
- 2 SHELLS: 5.08µm[.000200] MIN TIN OVER 2.54µm[.000100] MIN COPPER.
CONTACTS: GOLD PLATED FOR A LENGTH OF 3.81 [.150] FROM MATING END, 0.76µm[.000030] MIN GOLD IN MATED AREA, 2.54µm[.000100] MIN TIN ON OPPOSITE END, ALL OVER 1.27µm[.000050] MIN NICKEL.
-OR-
GOLD FLASH OVER PALLADIUM NICKEL PLATED FOR A LENGTH OF 3.81 [.150] FROM MATING END, 0.76µm[.000030] MIN PALLADIUM NICKEL IN MATED AREA, 2.54µm[.000100] MIN TIN ON OPPOSITE END, ALL OVER 1.27µm[.000050] MIN NICKEL.
INSERTS: UNPLATED
- 3 DATUMS AND BASIC DIMENSIONS ESTABLISHED BY CUSTOMERS
- 4 2.79 [.110] MAX IN SHELL TAB CLINCH AREAS



DETAIL D



RECOMMENDED PC BOARD MOUNTING DIMENSIONS

COPYRIGHT 2005
TE CONNECTIVITY CORP
ALL RIGHTS RESERVED

4-40 INSERT (DETAIL D)	5747375-8
-	5747375-2
MOUNTING HARDWARE	PART NO

THIS DRAWING IS A CONTROLLED DOCUMENT.		DWN B. LATTUCA 23SEPT05	TE Connectivity	
DIMENSIONS: mm[INCHES]		CHK S. BOLASH 23SEPT05	NAME	
0 PLC ± -		APVD M. WALMSLEY 23SEPT05	108-40025	
1 PLC ± -		PRODUCT SPEC	PLUG ASSEMBLY, SIZE 4, 37 POSITION, VERTICAL, FRONT METAL SHELL, AMPLIMITE HD-20	
2 PLC ± 0.13 [005]		APPLICATION SPEC	114-40023	
3 PLC ± -		WEIGHT	A1 00779 C=5747375	
4 PLC ± -		CUSTOMER DRAWING	SCALE 4:1 SHEET 1 OF 1 REV B1	
ANGLES ± -				