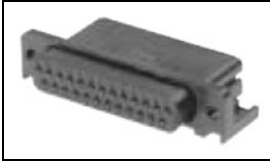


5747461-1 Product Details

[Share](#) [Print](#) [Email](#)



5747461-1

TE Internal Number: 5747461-1

Active

View 3D PDF

Standard Board Mount Connectors

Always EU RoHS/ELV Compliant (Statement of Compliance)

Product Highlights:

- 25 Positions
- Connector Style = Receptacle
- PCB Mounting Orientation = Right Angle
- Product Series = HD 20
- Without Mating Connector Lock

[View all Features](#)

Quick Links

- ▶ [Pricing & Availability](#)
- ▶ [Search for Tooling](#)
- ▶ [View Mating Products \(1\)](#)
- ▶ [Product Feature Selector](#)
- ▶ [Contact Us About This Product](#)

[Add to My Part List](#)

[Request Sample](#)

[Find Similar Products](#)

[Buy Product](#)

Documentation & Additional Information

Product Drawings:

- [RECEPTACLE ASSY, SIZE 3, 25 POSN, RIGHT ANGLE, .590 ... \(PDF, English\)](#)

Catalog Pages/Data Sheets:

- [AMPLIMITE Subminiature D Connectors - Right-Angle Po... \(PDF, English\)](#)

Product Specifications:

- None Available

Application Specifications:

- None Available

Instruction Sheets:

- None Available

CAD Files: [\(CAD Format & Compression Information\)](#)

- [2D Drawing \(DXF, Version 0\)](#)
- [3D Model \(IGES, Version 0\)](#)
- [3D Model \(STEP, Version 0\)](#)

[List all Documents](#)

Additional Information:

- [Product Line Information](#)

Related Products:

- [Tooling](#)
- [Mating Products \(1\)](#)

Product Features (Please use the Product Drawing for all design activity)

Product Type Features:

- PCB Mounting Orientation = Right Angle
- Product Series = HD 20
- Mating Connector Lock = Without
- PCB Mount Retention = With
- PCB Mount Retention Type = Mounting Hole(s)
- Shell Type = All Plastic
- Shell Size = 3
- Footprint (mm [in]) = 14.99 [.590]
- Grounding Indents = Without
- Grounding Straps = Without
- PCB Mount Style = Through Hole
- Color Code = None
- Sealed = No
- Profile = Standard
- Post Size (mm [in]) = 0.66 [.026]
- Mounting Hole Diameter (mm [in]) = 3.18 [.125]

Mechanical Attachment:

- Panel Mount Retention = Without

Termination Features:

- Grounding Clips = Without
- Termination Post Length (mm [in]) = 3.18 [0.125]
- Solder Tail Contact Plating = Tin over Nickel

Dimensions:

- PCB Thickness, Recommended (in [mm]) = 0.093 [2.36]

Contact Features:

- Contact Plating, Mating Area, Material = Gold Flash
- Contact Shape = Round
- Contact Base Material = Phosphor Bronze

Housing Features:

- Connector Style = Receptacle
- UL Flammability Rating = UL 94V-0
- Housing Material = Thermoplastic - GF

Configuration Features:

- Number of Positions = 25

Industry Standards:

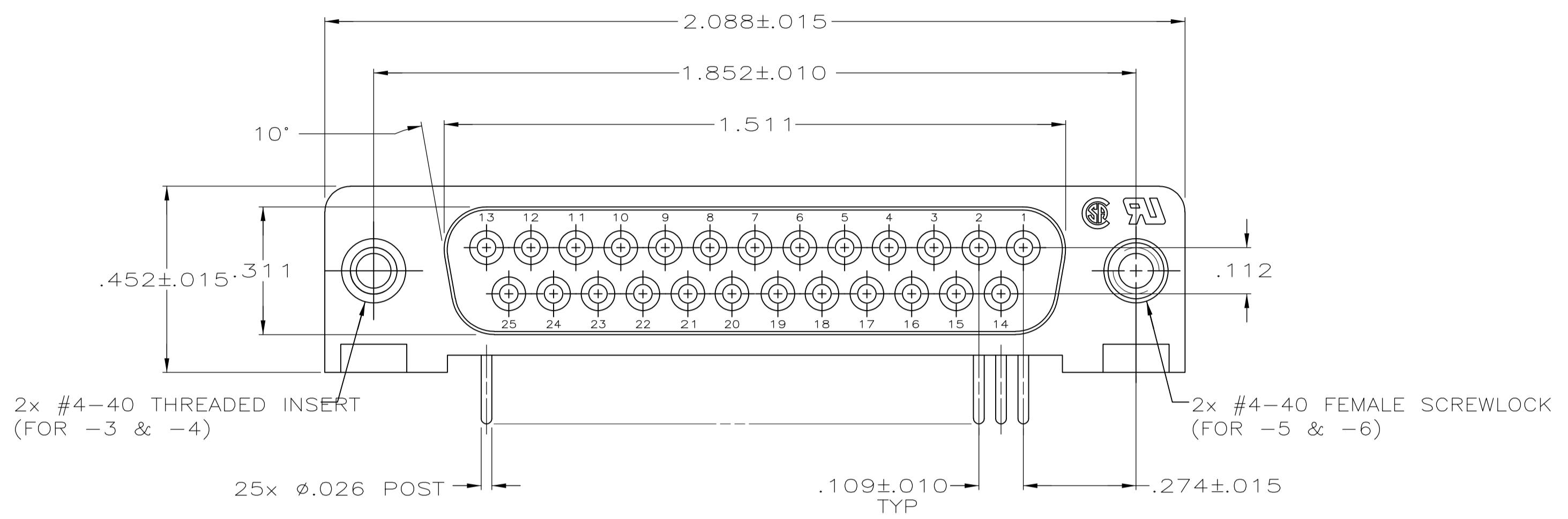
- RoHS/ELV Compliance = RoHS compliant, ELV compliant
- Lead Free Solder Processes = Wave solder capable to 260°C, Wave solder capable to 240°C, Wave solder capable to 265°C
- RoHS/ELV Compliance History = Always was RoHS compliant

Operation/Application:

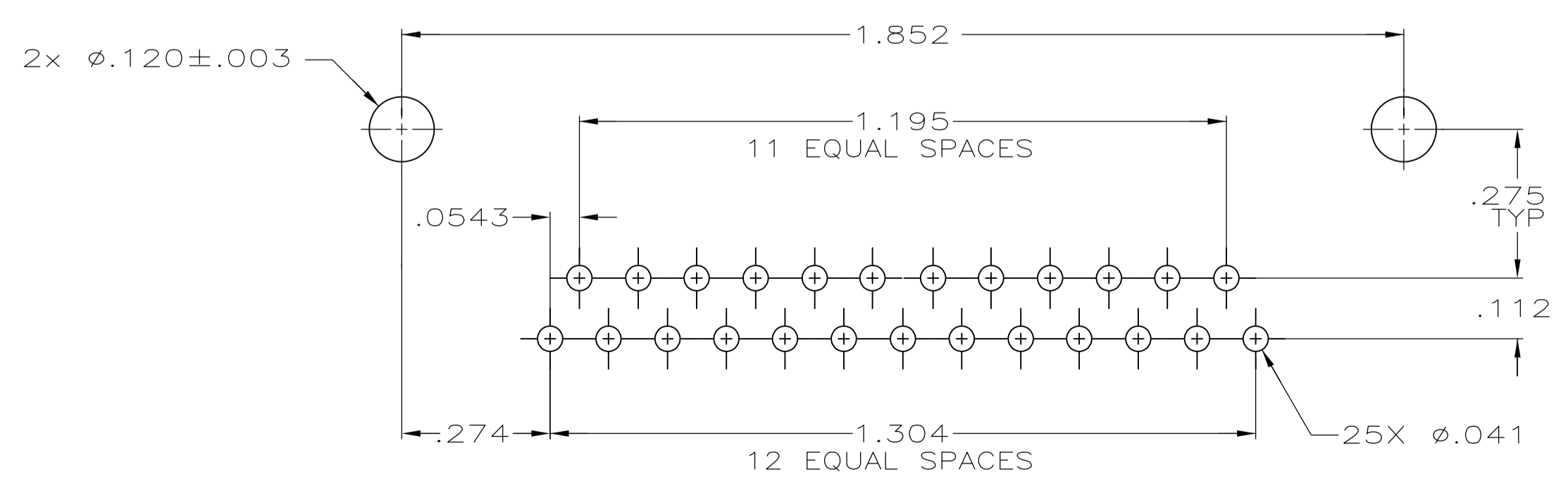
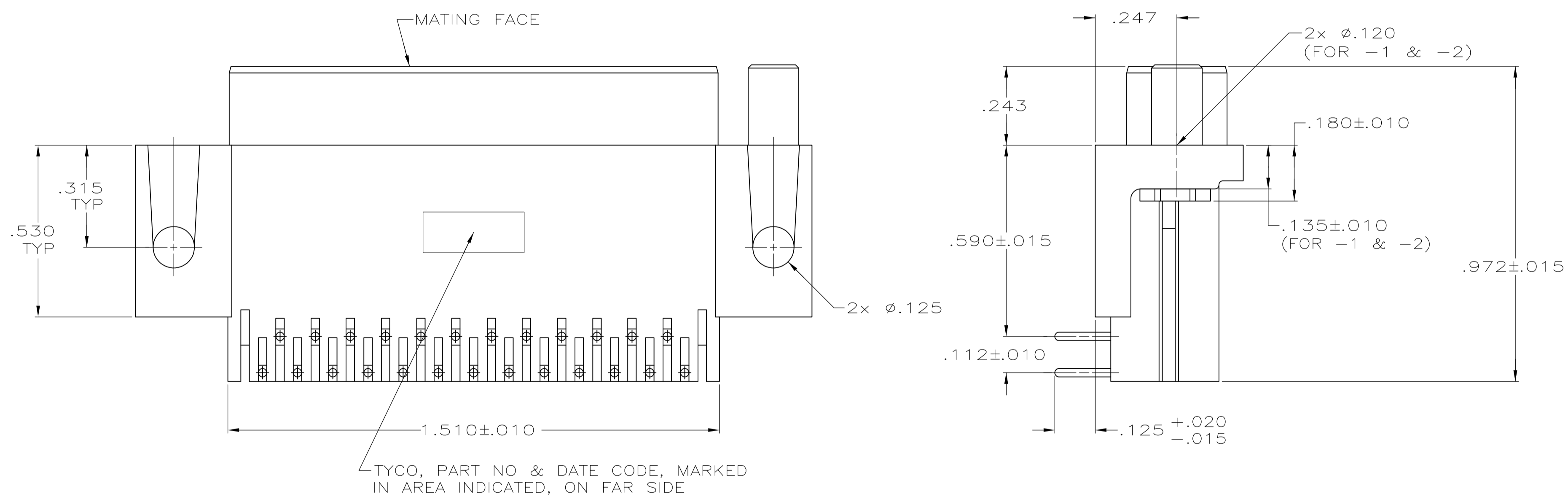
- Application = Standard

Other:

- Brand = AMP
- Comment = All receptacles are preloaded with size 20 DF posted socket contacts



- 1 HOUSING: FLAME RETARDANT, 94V-0 RATED, GLASS FILLED, NYLON OR POLYESTER, COLOR: BLACK
- 2 CONTACTS: PHOS BRONZE. INSERTS & SCREWLOCKS: ZINC.
- 3 REFER TO APPLICATION SPEC FOR RECOMMENDED P.C. BOARD MOUNTING DIMENSIONS FOR AUTOMATIC INSERTION.
- 4 CONTACTS: SEE TABLE
- 5 INSERTS & SCREWLOCKS: CLEAR CHROMATE COATING.
- 6 PLATED WITH GOLD FLASH FOR LENGTH OF .055 MIN FROM MATING END, .000100 MIN TIN ON SOLDER END, ALL OVER .000050 MIN NICKEL ON ENTIRE CONTACT.
- 7 PLATED WITH .000030 MIN GOLD FOR LENGTH OF .055 MIN FROM MATING END, .000100 MIN TIN SOLDER END, ALL OVER .000050 MIN NICKEL ON ENTIRE CONTACT.



RECOMMENDED P.C. BOARD MOUNTING DIMENSIONS 2

WITH SCREWLOCKS	5	5747461-6
WITH SCREWLOCKS	4	5747461-5
WITH INSERTS	5	5747461-4
WITH INSERTS	4	5747461-3
WITH .120 DIA HOLE	5	5747461-2
WITH .120 DIA HOLE	4	5747461-1
REMARKS	FINISH	PART NUMBER

**COPYRIGHT 2005
TE CONNECTIVITY CORP
ALL RIGHTS RESERVED**

THIS DRAWING IS A CONTROLLED DOCUMENT.

DIMENSIONS: INCHES	TOLERANCES UNLESS OTHERWISE SPECIFIED:	DIN G. PETERS 16SEP05	NAME
0 PLC ± -	1 PLC ± -	CHK S. BOLASH 16SEP05	RECEPTACLE ASSY, SIZE 3, 25 POSN, RIGHT ANGLE, .590 SERIES, .026 DIA POSTS, AMPLIMITE HD-20
2 PLC ± -	3 PLC ± .005	APPD M. WALMSLEY 16SEP05	PRODUCT SPEC 108-40025
4 PLC ± -	ANGLES ± ± °	APPLICATION SPEC	114-40015
MATERIAL	FINISH	WEIGHT	SIZE CAGE CODE DRAWING NO RESTRICTED TO
			A1 00779 5747461
		CUSTOMER DRAWING	SCALE 4:1 SHEET 1 OF 1 REV P