



Have a Question?
 Chat with a Product
 Information Specialist

What can we help you find?

[Products](#) |
 [Industries](#) |
 [Resources](#) |
 [About TE](#) |
 [My Account](#) |
 [Innovation](#) |
 [Support Center](#)

5747462-2 Product Details

[Share](#) |
 [Print](#) |
 [Email](#)



5747462-2

TE Internal Number: 5747462-2

Active

Standard Board Mount Connectors

Always EU RoHS/ELV Compliant (Statement of Compliance)

Product Highlights:

- 37 Positions
- Connector Style = Receptacle
- PCB Mounting Orientation = Right Angle
- Product Series = HD 20
- Without Mating Connector Lock

[View all Features](#)

Quick Links

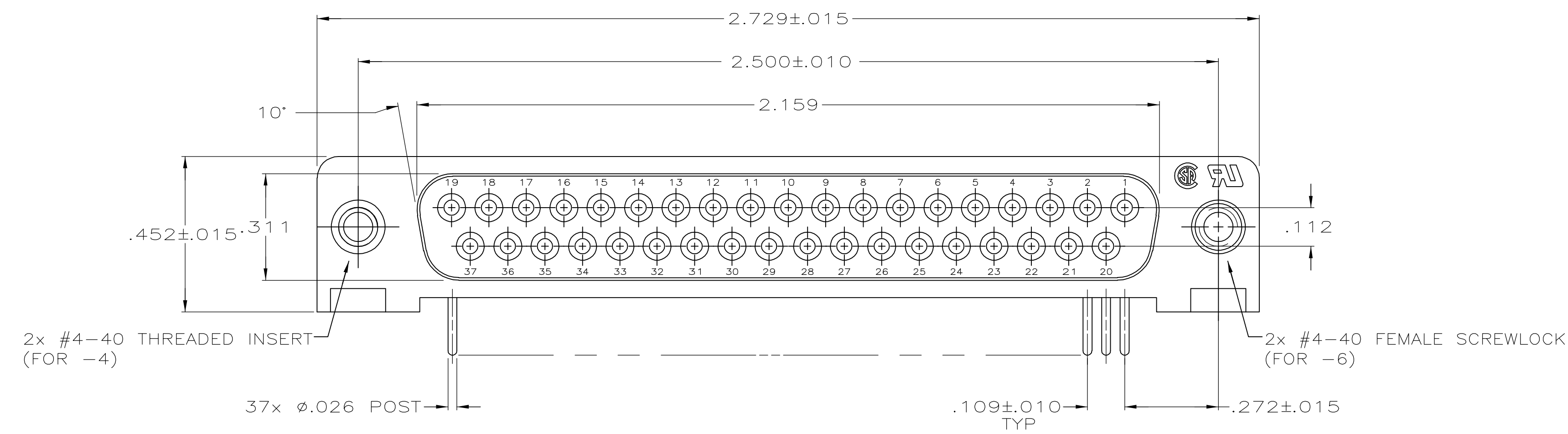
- ▶ [Pricing & Availability](#)
- ▶ [Search for Tooling](#)
- ▶ [View Mating Products \(2\)](#)
- ▶ [Product Feature Selector](#)
- ▶ [Contact Us About This Product](#)

[Add to My Part List](#) |
 [Request Sample](#) |
 [Find Similar Products](#) |
 [Buy Product](#)

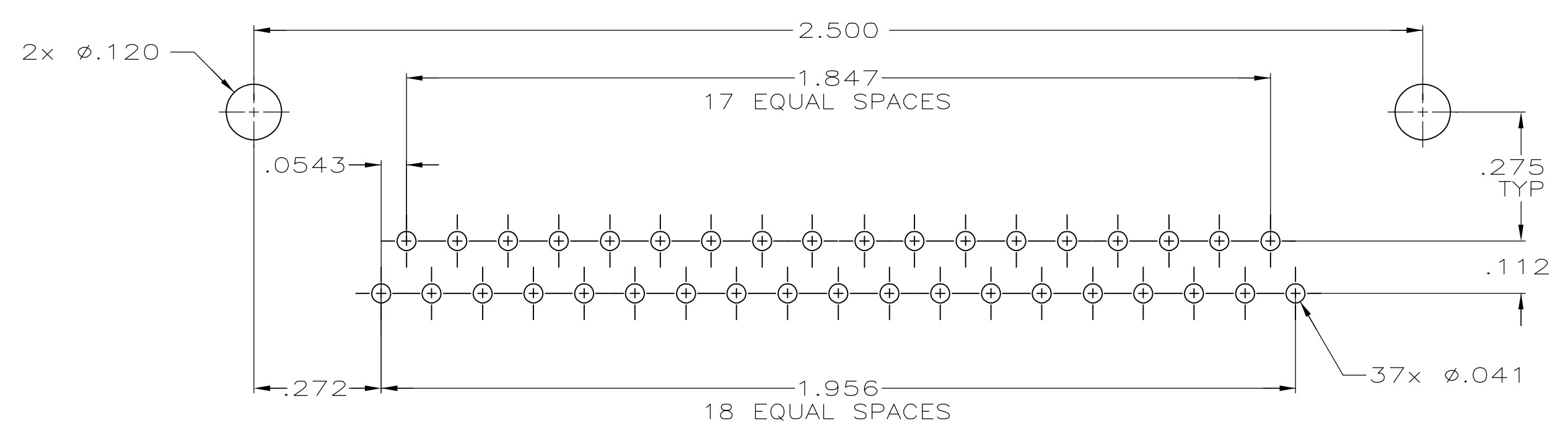
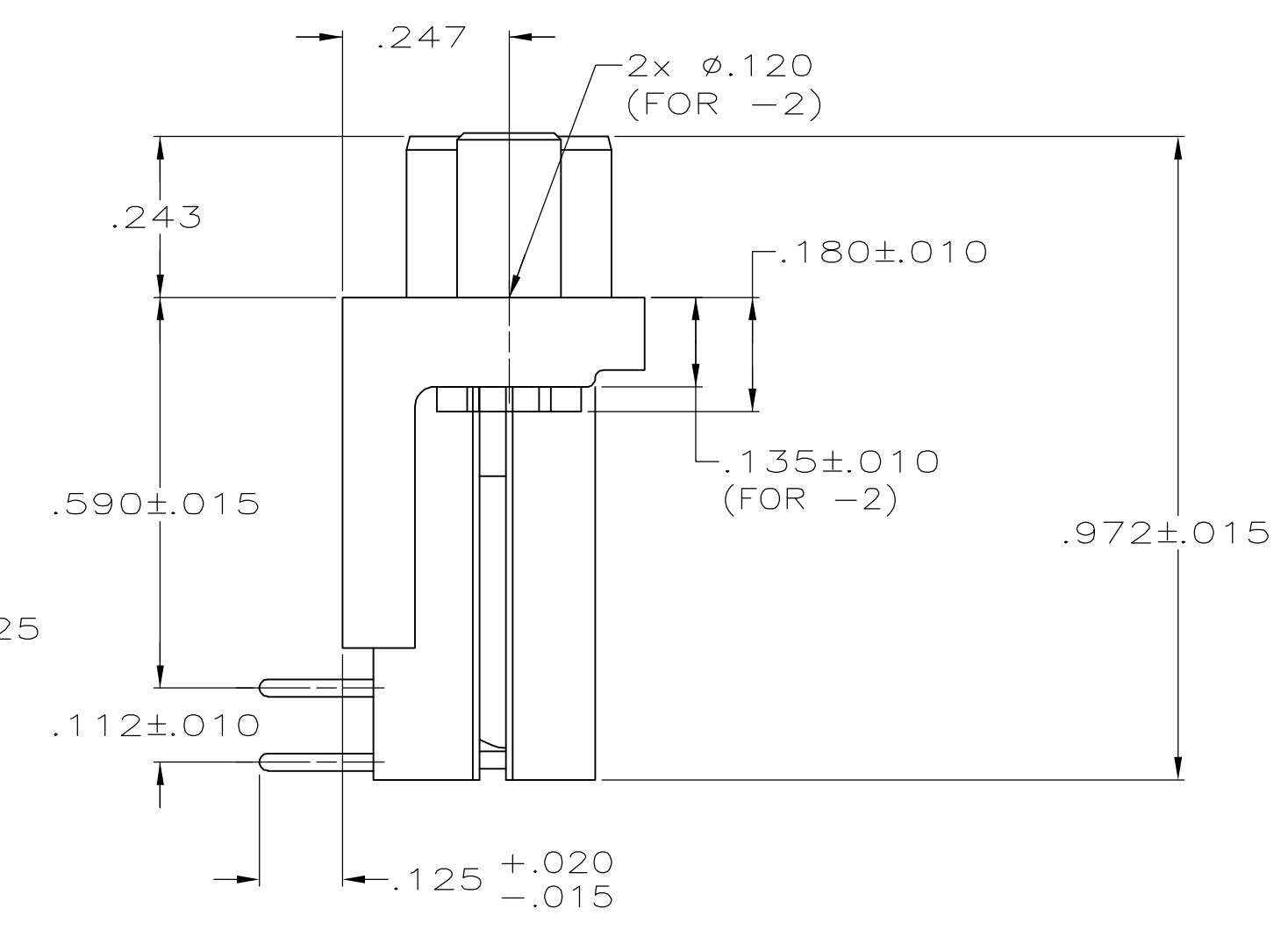
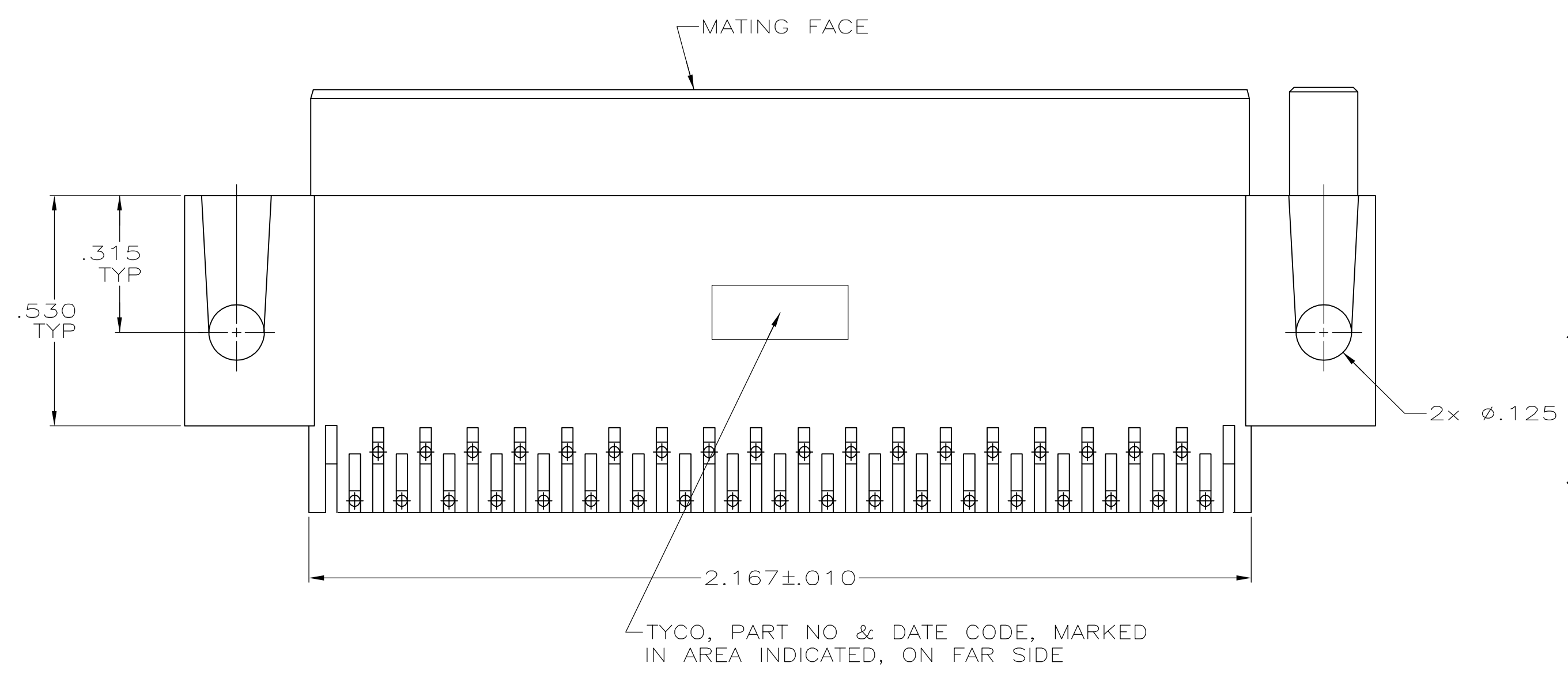
Documentation & Additional Information	
<p>Product Drawings:</p> <ul style="list-style-type: none"> • RECEPTACLE ASSY, SIZE 4, 37 POSN, RIGHT ANGLE, .590 ... (PDF, English) <p>Catalog Pages/Data Sheets:</p> <ul style="list-style-type: none"> • AMPLIMITE Subminiature D Connectors - Right-Angle Po... (PDF, English) <p>Product Specifications:</p> <ul style="list-style-type: none"> • None Available <p>Application Specifications:</p> <ul style="list-style-type: none"> • None Available <p>Instruction Sheets:</p> <ul style="list-style-type: none"> • None Available <p>CAD Files:</p> <ul style="list-style-type: none"> • None Available 	<p>Additional Information:</p> <ul style="list-style-type: none"> • Product Line Information <p>Related Products:</p> <ul style="list-style-type: none"> • Tooling • Mating Products (2)

[List all Documents](#)

Product Features (Please use the Product Drawing for all design activity)	
<p>Product Type Features:</p> <ul style="list-style-type: none"> • PCB Mounting Orientation = Right Angle • Product Series = HD 20 • Mating Connector Lock = Without • PCB Mount Retention = With • PCB Mount Retention Type = Mounting Hole(s) • Shell Type = All Plastic • Shell Size = 4 • Footprint (mm [in]) = 14.99 [.590] • Grounding Indents = Without • Grounding Straps = Without • PCB Mount Style = Through Hole • Color Code = None • Sealed = No • Profile = Standard • Post Size (mm [in]) = 0.66 [.026] • Mounting Hole Diameter (mm [in]) = 3.18 [.125] <p>Mechanical Attachment:</p> <ul style="list-style-type: none"> • Panel Mount Retention = Without <p>Termination Features:</p> <ul style="list-style-type: none"> • Grounding Clips = Without • Termination Post Length (mm [in]) = 3.18 [0.125] • Solder Tail Contact Plating = Tin over Nickel 	<p>Dimensions:</p> <ul style="list-style-type: none"> • PCB Thickness, Recommended (in [mm]) = 0.093 [2.36] <p>Contact Features:</p> <ul style="list-style-type: none"> • Contact Plating, Mating Area, Material = Gold (30) • Contact Shape = Round • Contact Base Material = Phosphor Bronze <p>Housing Features:</p> <ul style="list-style-type: none"> • Connector Style = Receptacle • UL Flammability Rating = UL 94V-0 • Housing Material = Thermoplastic - GF <p>Configuration Features:</p> <ul style="list-style-type: none"> • Number of Positions = 37 <p>Industry Standards:</p> <ul style="list-style-type: none"> • RoHS/ELV Compliance = RoHS compliant, ELV compliant • Lead Free Solder Processes = Wave solder capable to 260°C, Wave solder capable to 240°C, Wave solder capable to 265°C • RoHS/ELV Compliance History = Always was RoHS compliant <p>Operation/Application:</p> <ul style="list-style-type: none"> • Application = Standard <p>Other:</p> <ul style="list-style-type: none"> • Brand = AMP • Comment = All receptacles are preloaded with size 20 DF posted socket contacts



- 1 HOUSING: FLAME RETARDANT, 94V-0 RATED, GLASS FILLED, NYLON OR POLYESTER, COLOR: BLACK
CONTACTS: PHOS BRONZE.
INSERTS & SCREWLOCKS: ZINC.
- 2 REFER TO APPLICATION SPEC FOR RECOMMENDED P.C. BOARD MOUNTING DIMENSIONS FOR AUTOMATIC INSERTION.
- 3 CONTACTS: PLATED WITH .000030 MIN GOLD FOR LENGTH OF .055 MIN FROM MATING END, .000100 MIN TIN ON SOLDER END, ALL OVER .000050 MIN NICKEL ON ENTRIE CONTACT.
INSERTS & SCREWLOCKS: CLEAR CHROMATE COATING.



RECOMMENDED P.C. BOARD MOUNTING DIMENSIONS

**COPYRIGHT 2005
 TYCO ELECTRONICS CORP
 ALL RIGHTS RESERVED**

WITH SCREWLOCKS	5747462-6
WITH INSERTS	5747462-4
WITH .120 DIA HOLE	5747462-2
REMARKS	PART NUMBER

THIS DRAWING IS A CONTROLLED DOCUMENT.		DWN G. PETERS 16SEP05	Tyco Electronics Corporation Harrisburg, PA 17105-3608	
DIMENSIONS: INCHES		CHK S. BOLASH 16SEP05	APVD M. WALMSLEY 16SEP05	
TOLERANCES UNLESS OTHERWISE SPECIFIED:		NAME RECEPTACLE ASSY, SIZE 4, 37 POSN, RIGHT ANGLE, .590 SERIES, .026 DIA POSTS, AMPLIMITE HD-20		
0 PLC ± -		PRODUCT SPEC 108-40025		
1 PLC ± -		APPLICATION SPEC 114-40015		
2 PLC ± -		SIZE A1		
3 PLC ± .005		CAGE CODE 00779		
4 PLC ± -		DRAWING NO 5747462		
ANGLES ± z		RESTRICTED TO -		
MATERIAL		WEIGHT -		
FINISH		CUSTOMER DRAWING		
		SCALE 4:1 SHEET 1 OF 1 REV 0		