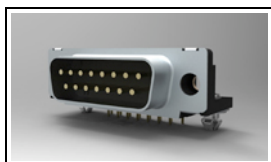


## 5747841-4 Product Details

[Share](#) [Print](#) [Email](#)



**5747841-4**

TE Internal Number: 5747841-4

Active

[View 3D PDF](#)

### Standard Board Mount Connectors

Always EU RoHS/ELV Compliant (Statement of Compliance)

#### Product Highlights:

- 15 Positions
- Connector Style = Plug
- PCB Mounting Orientation = Right Angle
- Product Series = HD 20
- With Mating Connector Lock

[View all Features](#)

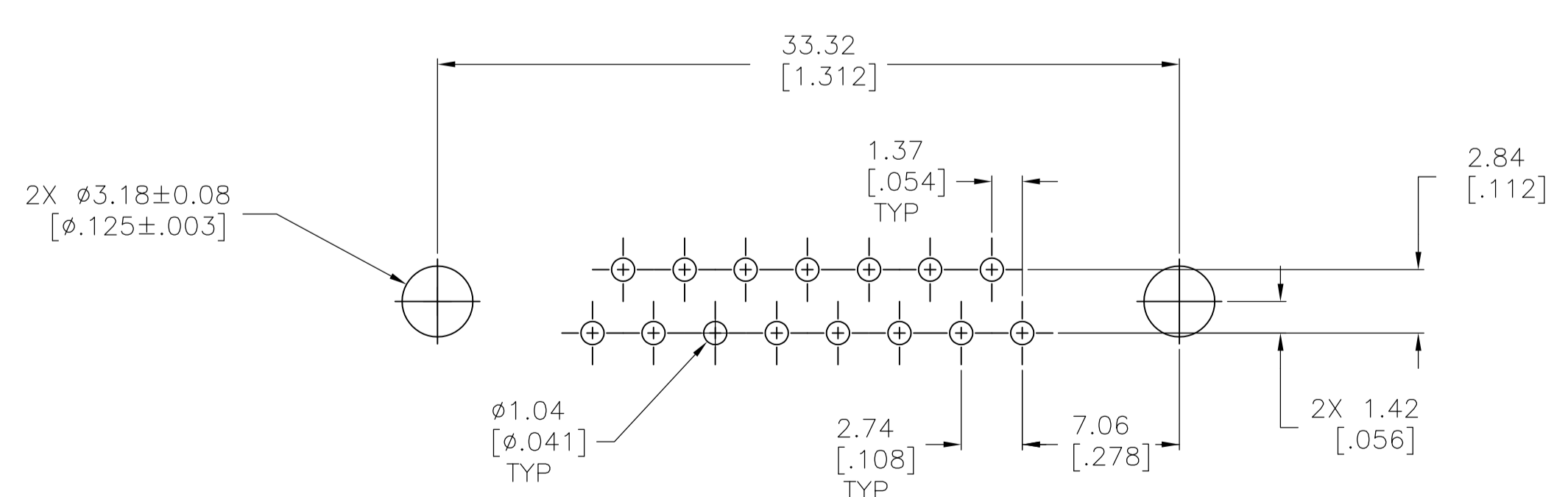
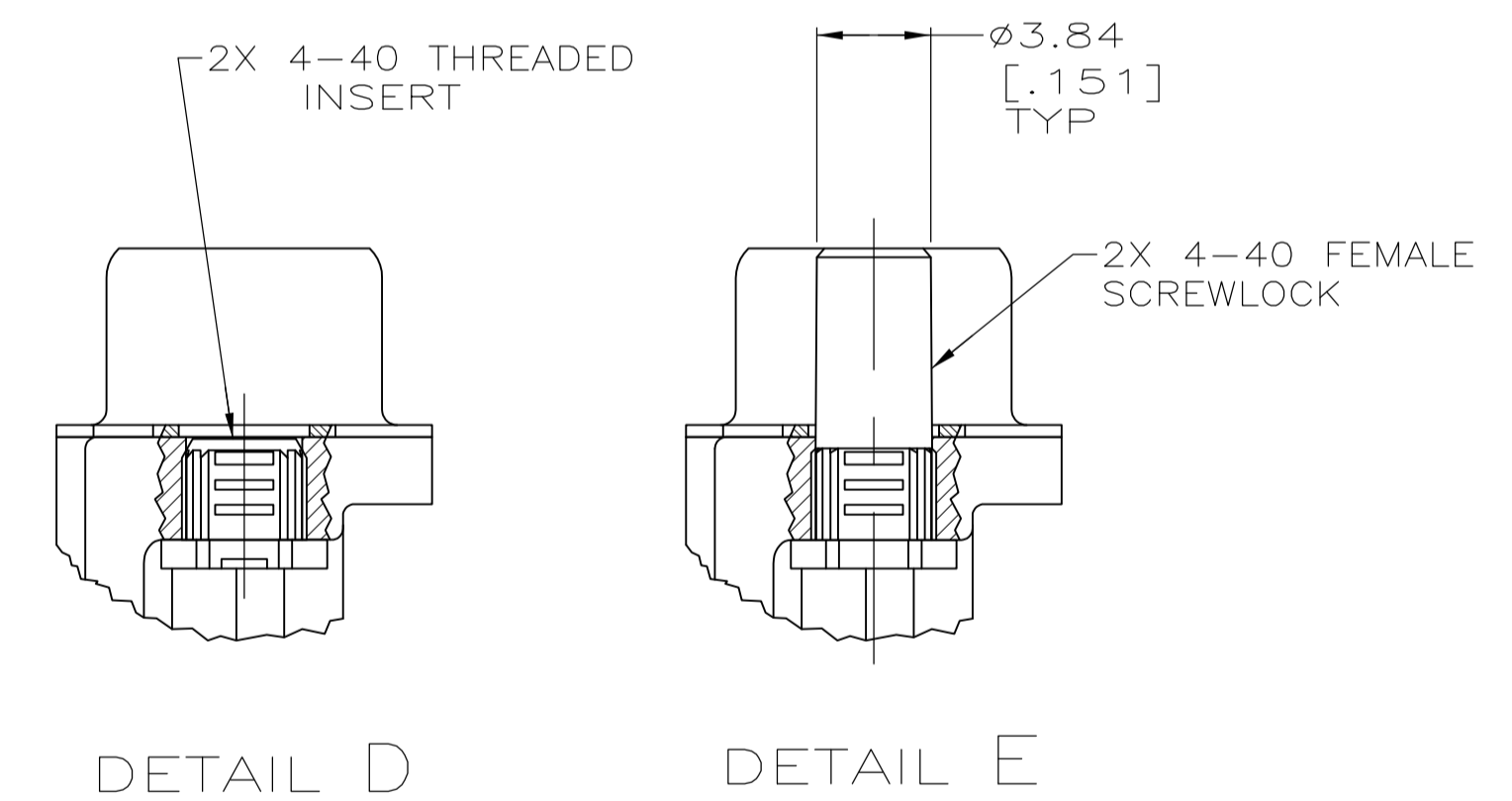
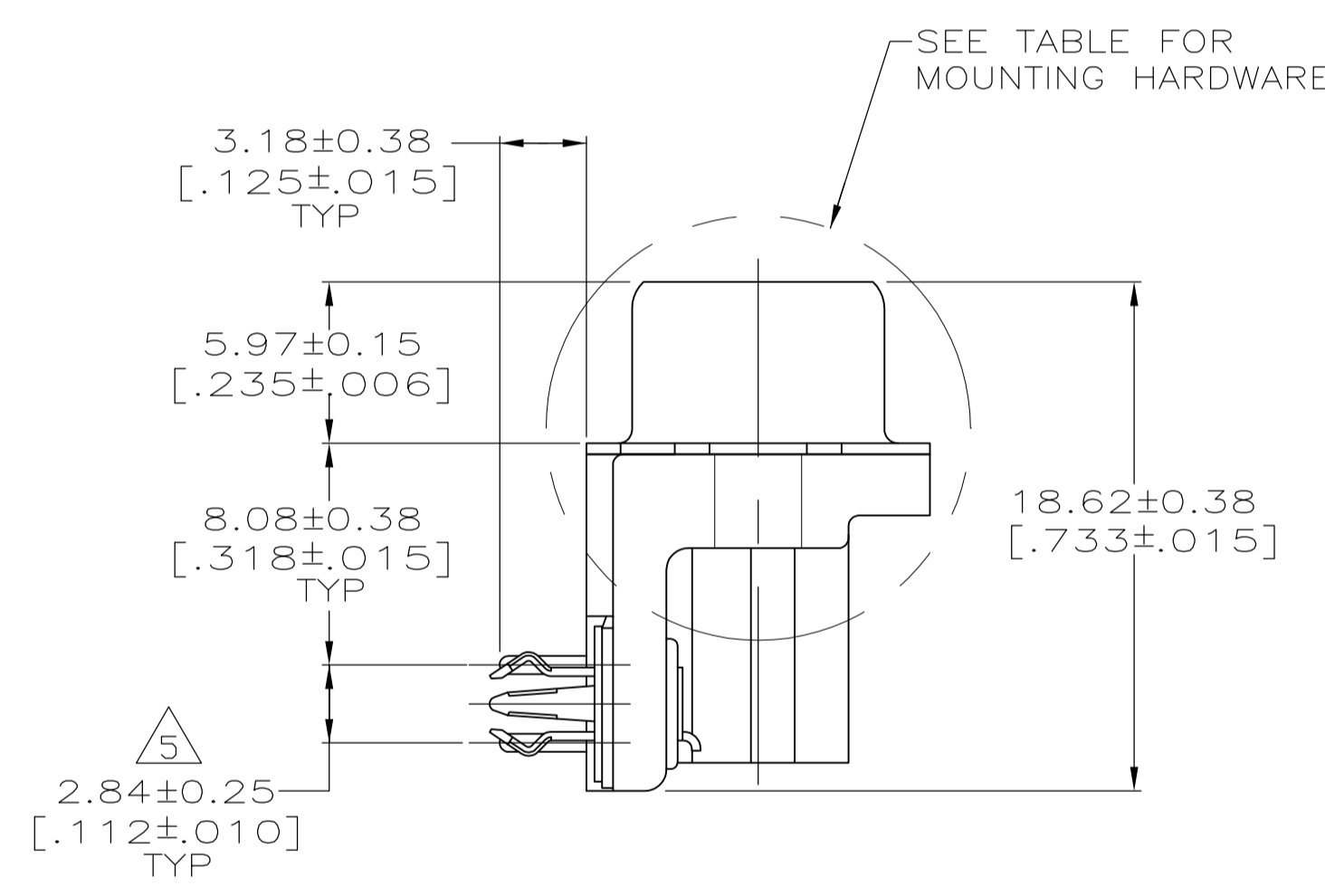
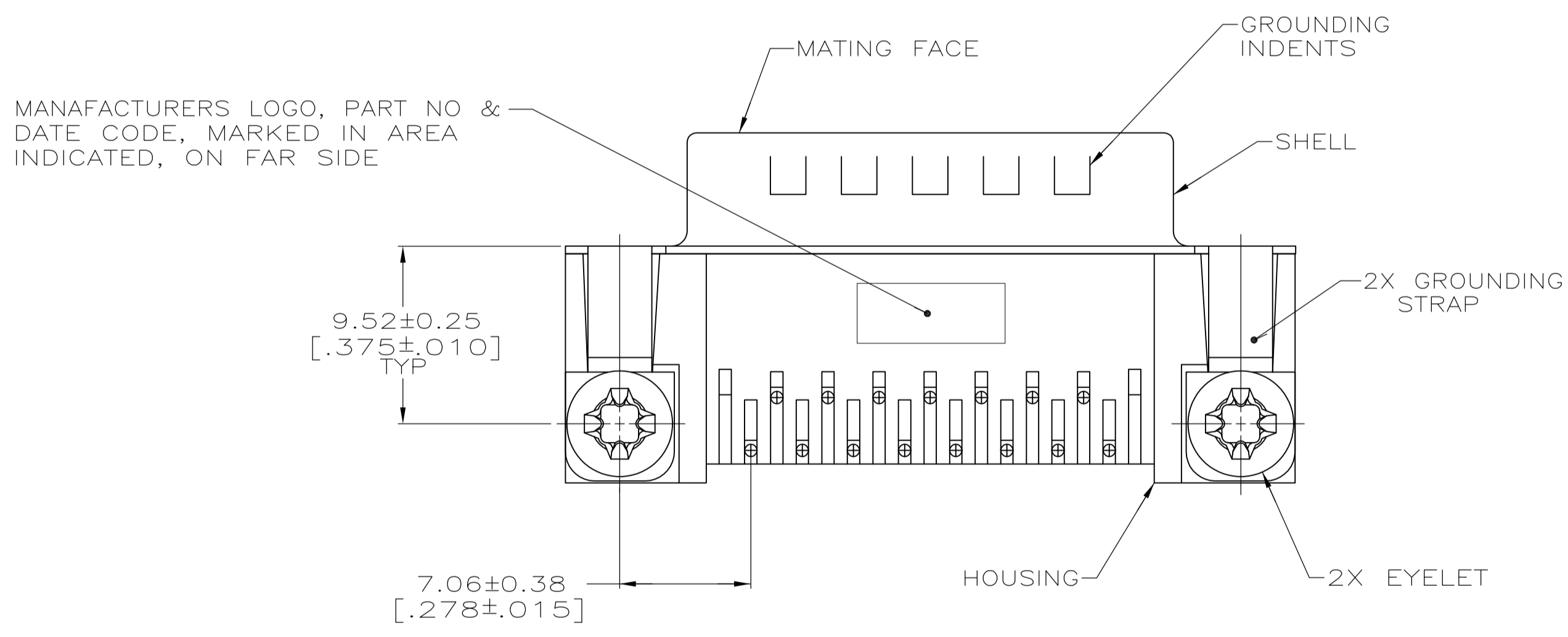
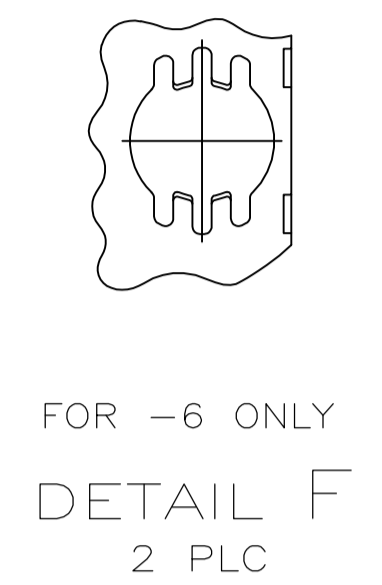
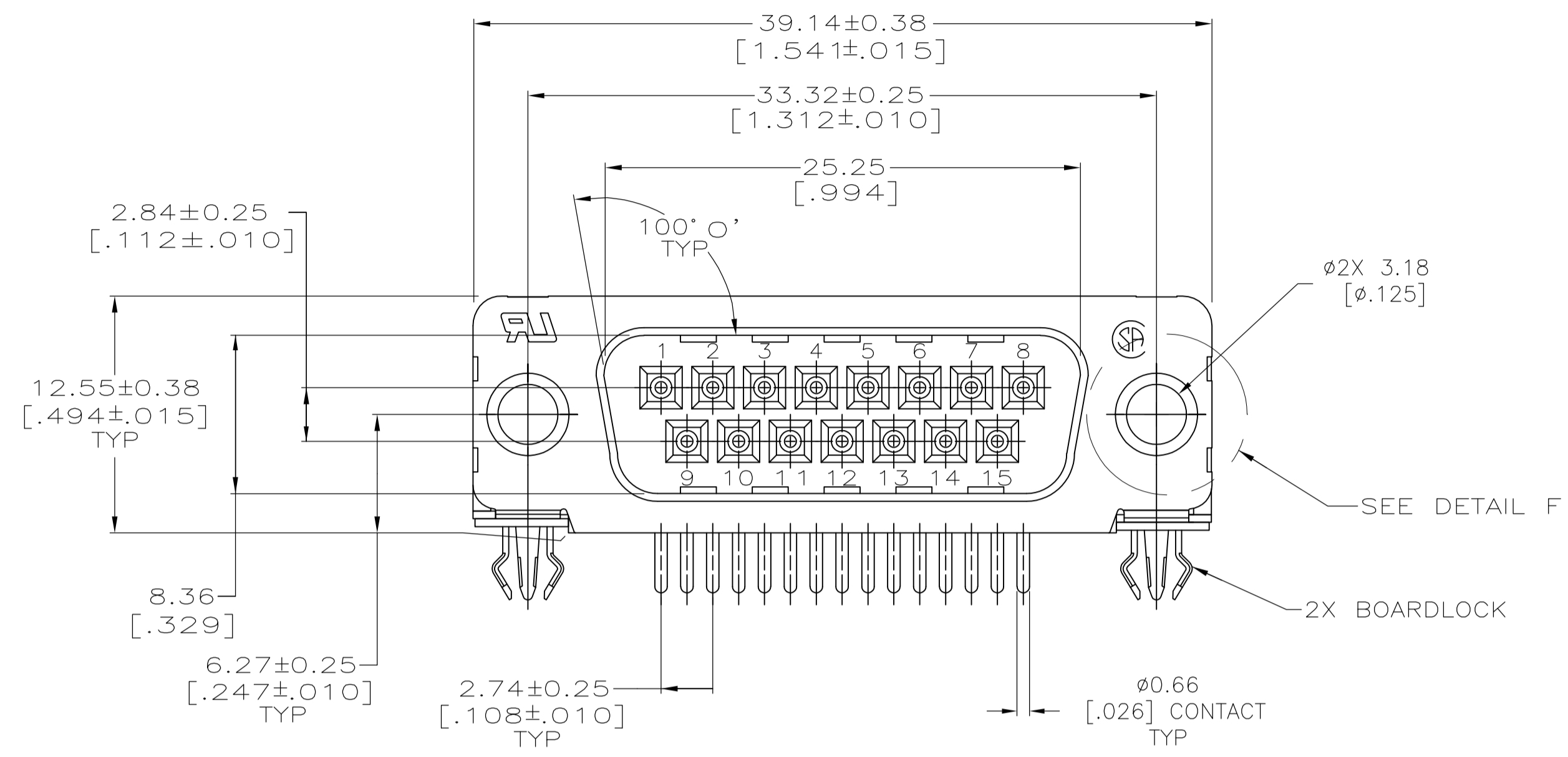
### Quick Links

- ▶ [Pricing & Availability](#)
- ▶ [Search for Tooling](#)
- ▶ [View Mating Products \(12\)](#)
- ▶ [Product Feature Selector](#)
- ▶ [Contact Us About This Product](#)

[Add to My Part List](#) [Request Sample](#) [Find Similar Products](#) [Buy Product](#)

| Documentation & Additional Information  |  |
|---|--|
| <p><b>Product Drawings:</b></p> <ul style="list-style-type: none"> <li>• <a href="#">PLUG ASSEMBLY, SIZE 2, 15 POSITION, RIGHT ANGLE, FRO...</a> (PDF, English)</li> </ul> <p><b>Catalog Pages/Data Sheets:</b></p> <ul style="list-style-type: none"> <li>• <a href="#">AMPLIMITE Subminiature D Connectors - Right-Angle Po...</a> (PDF, English)</li> </ul> <p><b>Product Specifications:</b></p> <ul style="list-style-type: none"> <li>• None Available</li> </ul> <p><b>Application Specifications:</b></p> <ul style="list-style-type: none"> <li>• None Available</li> </ul> <p><b>Instruction Sheets:</b></p> <ul style="list-style-type: none"> <li>• None Available</li> </ul> <p><b>CAD Files:</b> (<a href="#">CAD Format &amp; Compression Information</a>)</p> <ul style="list-style-type: none"> <li>• <a href="#">2D Drawing</a> (DXF, Version C)</li> <li>• <a href="#">3D Model</a> (IGES, Version C)</li> <li>• <a href="#">3D Model</a> (STEP, Version C)</li> </ul> | <p><b>Additional Information:</b></p> <ul style="list-style-type: none"> <li>• <a href="#">Product Line Information</a></li> </ul> <p><b>Related Products:</b></p> <ul style="list-style-type: none"> <li>• <a href="#">Tooling</a></li> <li>• <a href="#">Mating Products (12)</a></li> </ul> |
| <p><a href="#">List all Documents</a></p>   |  |

| Product Features (Please use the Product Drawing for all design activity)   |   |
|---|---|
| <p><b>Product Type Features:</b></p> <ul style="list-style-type: none"> <li>• <a href="#">PCB Mounting Orientation</a> = Right Angle</li> <li>• <a href="#">Product Series</a> = HD 20</li> <li>• <a href="#">Mating Connector Lock</a> = With</li> <li>• <a href="#">Mating Connector Lock Type</a> = Threaded Insert, 4-40 UNC</li> <li>• <a href="#">PCB Mount Retention</a> = With</li> <li>• <a href="#">PCB Mount Retention Type</a> = Boardlock(s)</li> <li>• <a href="#">Shell Type</a> = Front Metal Shell</li> <li>• <a href="#">Shell Size</a> = 2</li> <li>• <a href="#">Footprint (mm [in])</a> = 8.08 [.318]</li> <li>• <a href="#">Grounding Indents</a> = With</li> <li>• <a href="#">Grounding Straps</a> = With</li> <li>• <a href="#">PCB Mount Style</a> = Through Hole</li> <li>• <a href="#">Color Code</a> = None</li> <li>• <a href="#">Sealed</a> = No</li> <li>• <a href="#">Profile</a> = Standard</li> <li>• <a href="#">Post Size (mm [in])</a> = 0.66 [.026]</li> <li>• <a href="#">Mounting Hole Diameter (mm [in])</a> = 3.18 [.125]</li> <li>• <a href="#">Shell Material</a> = Steel</li> <li>• <a href="#">Threaded Insert Material</a> = Zinc</li> <li>• <a href="#">Eyelet Material</a> = Brass</li> </ul> <p><b>Mechanical Attachment:</b></p> <ul style="list-style-type: none"> <li>• <a href="#">Panel Mount Retention</a> = Without</li> <li>• <a href="#">Boardlock Material</a> = Copper Alloy</li> <li>• <a href="#">Boardlock Plating</a> = Tin over Nickel</li> </ul> <p><b>Termination Features:</b></p> <ul style="list-style-type: none"> <li>• <a href="#">Grounding Clips</a> = Without</li> <li>• <a href="#">Termination Post Length (mm [in])</a> = 3.18 [0.125]</li> <li>• <a href="#">Solder Tail Contact Plating</a> = Tin over Nickel</li> </ul> | <p><b>Dimensions:</b></p> <ul style="list-style-type: none"> <li>• <a href="#">PCB Thickness, Recommended (in [mm])</a> = 0.062 [1.57]</li> </ul> <p><b>Body Features:</b></p> <ul style="list-style-type: none"> <li>• <a href="#">Shell Plating</a> = Tin</li> <li>• <a href="#">Threaded Insert Plating</a> = Clear Chromate</li> <li>• <a href="#">Eyelet Plating</a> = Tin over Copper Flash</li> </ul> <p><b>Contact Features:</b></p> <ul style="list-style-type: none"> <li>• <a href="#">Contact Plating, Mating Area, Material</a> = Gold (30)</li> <li>• <a href="#">Contact Shape</a> = Round</li> <li>• <a href="#">Contact Base Material</a> = Brass</li> </ul> <p><b>Housing Features:</b></p> <ul style="list-style-type: none"> <li>• <a href="#">Connector Style</a> = Plug</li> <li>• <a href="#">UL Flammability Rating</a> = UL 94V-0</li> <li>• <a href="#">Housing Material</a> = Thermoplastic - GF</li> </ul> <p><b>Configuration Features:</b></p> <ul style="list-style-type: none"> <li>• <a href="#">Number of Positions</a> = 15</li> </ul> <p><b>Industry Standards:</b></p> <ul style="list-style-type: none"> <li>• <a href="#">RoHS/ELV Compliance</a> = RoHS compliant, ELV compliant</li> <li>• <a href="#">Lead Free Solder Processes</a> = Wave solder capable to 260°C, Wave solder capable to 240°C, Wave solder capable to 265°C</li> <li>• <a href="#">RoHS/ELV Compliance History</a> = Always was RoHS compliant</li> </ul> <p><b>Other:</b></p> <ul style="list-style-type: none"> <li>• <a href="#">Brand</a> = AMP</li> <li>• <a href="#">Comment</a> = Plugs are preloaded with size 20 DF posted pin contacts</li> </ul> |



P.C. BOARD MOUNTING DIMENSIONS  
P.C. BOARD THICKNESS: 1.57[.062]

- 1 MATERIAL:  
HOUSING: NYLON OR POLYESTER, FLAME RETARDANT, UL 94V-0 RATED, GLASS FILLED, BLACK.  
CONTACTS: BRASS.  
SHELL: CARBON STEEL.  
EYELETS: BRASS.  
BOARDLOCKS: COPPER ALLOY.  
INSERTS: ZINC ALLOY.  
SCREWLOCKS: ZINC ALLOY
- 2 FINISH:  
CONTACTS: SEE TABLE.  
SHELL: 2.54µm[.000100] MIN TIN OVER 1.27µm[.000050] MIN COPPER.  
EYELETS: 5.08µm[.000200] MIN TIN OVER COPPER FLASH.  
BOARDLOCKS: 5.08µm[.000200] MIN TIN OVER 1.27µm[.000050] MIN NICKEL.  
INSERTS: CLEAR CHROMATE.  
SCREWLOCKS: CLEAR CHROMATE.
- 3 GOLD FLASH ON THE MATING SURFACES, 2.54µm[.000100] MIN TIN PLATE ON THE SOLDER END, 1.27µm[.000050] MIN NICKEL UNDERPLATE ON THE ENTIRE CONTACT.
- 4 0.76µm[.000030] MIN GOLD PLATE ON THE MATING SURFACES, 2.54µm[.000100] MIN TIN PLATE ON THE SOLDER END, 1.27µm[.000050] MIN NICKEL UNDERPLATE ON THE ENTIRE CONTACT  
-OR-  
GOLD FLASH OVER PALLADIUM-NICKEL PLATE, 0.76µm[.000030] MIN TOTAL ON THE MATING SURFACES, 2.54µm[.000100] MIN TIN PLATE ON THE SOLDER END, 1.27µm[.000050] MIN NICKEL UNDERPLATE ON THE ENTIRE CONTACT.
- 5 DIMENSION APPLIES FROM CENTER OF CONTACTS.

|                   |                |             |
|-------------------|----------------|-------------|
| SEE DETAIL E      | 1              | 5747841-6   |
| SEE DETAIL D      | 4              | 5747841-4   |
| SEE DETAIL D      | 4              | 5747841-3   |
| -                 | 4              | 5747841-2   |
| MOUNTING HARDWARE | CONTACT FINISH | PART NUMBER |

|  |  |                        |                         |                          |   |
|--|--|------------------------|-------------------------|--------------------------|---|
| THIS DRAWING IS A CONTROLLED DOCUMENT. DIMENSIONING AND TOLERANCING PER ASME Y14.5M-2009 |  | DWG: MCMASTER 15JULY05 | CHK: S. BOLASH 15JULY05 | APVD: S. BOLASH 15JULY05 | NAME: PLUG ASSEMBLY, SIZE 2, 15 POSITION, RIGHT ANGLE, FRONT METAL SHELL, .318 SERIES, BOARDLOCKS, AMPLIMITE® HD-20 |
| DIMENSIONS: mm [INCHES]  | TOLERANCES UNLESS OTHERWISE SPECIFIED: | 0 PLC ± -              | 1 PLC ± -               | 2 PLC ± -                | 3 PLC ± 0.13[.005]  |
|  |  | 4 PLC ± -              | ANGLES ± -              | SIZE: 114-40010          | SCALE: 4:1  |
| MATERIAL: 1  | FINISH: 2                              | WEIGHT: -              | CAGE CODE: A1           | DRAWING NO: 5747841      | SHEET 1 OF 1  |
| CUSTOMER DRAWING   |  | SCALE: 4:1             |                         | SHEET 1 OF 1 REV C       |   |