

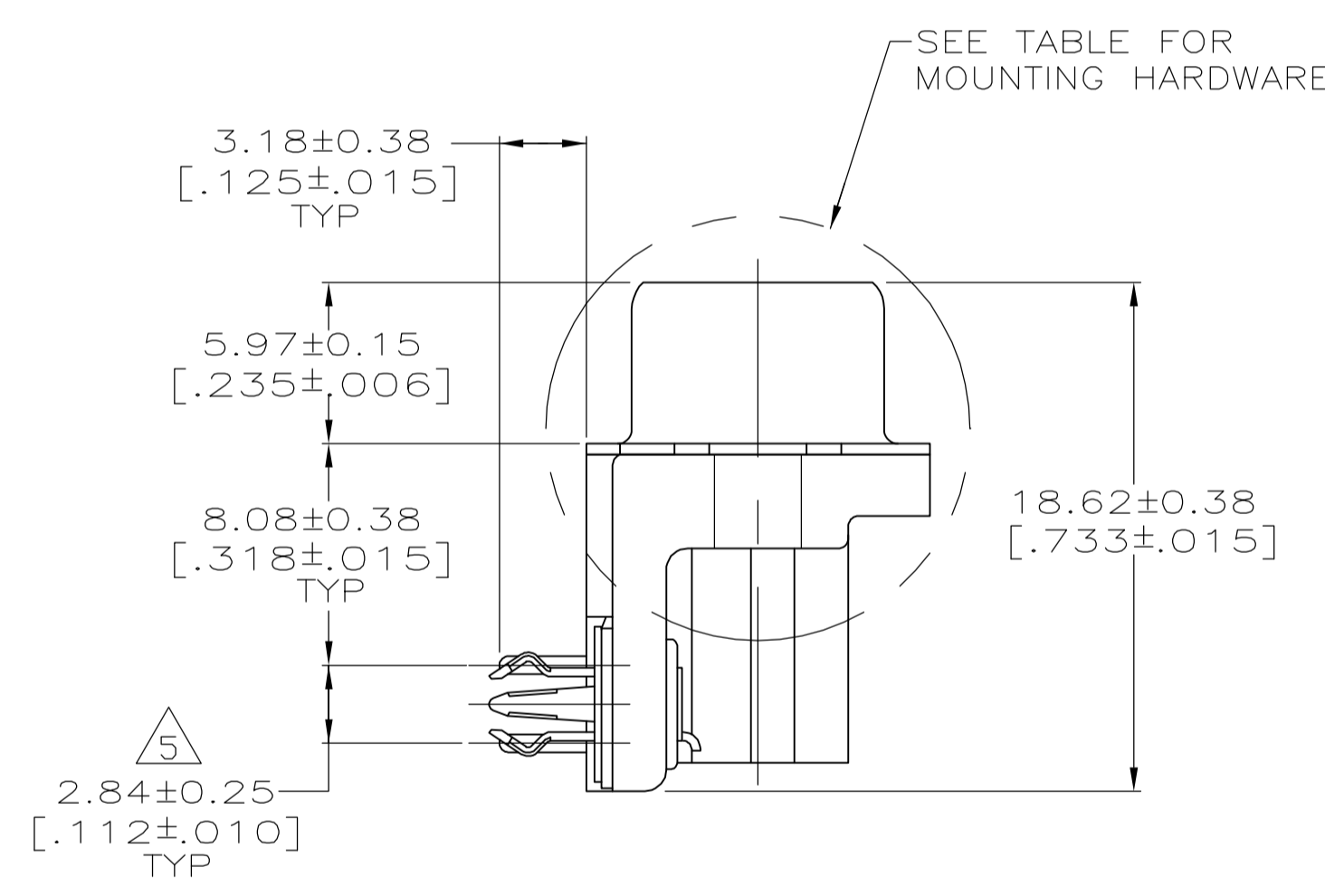
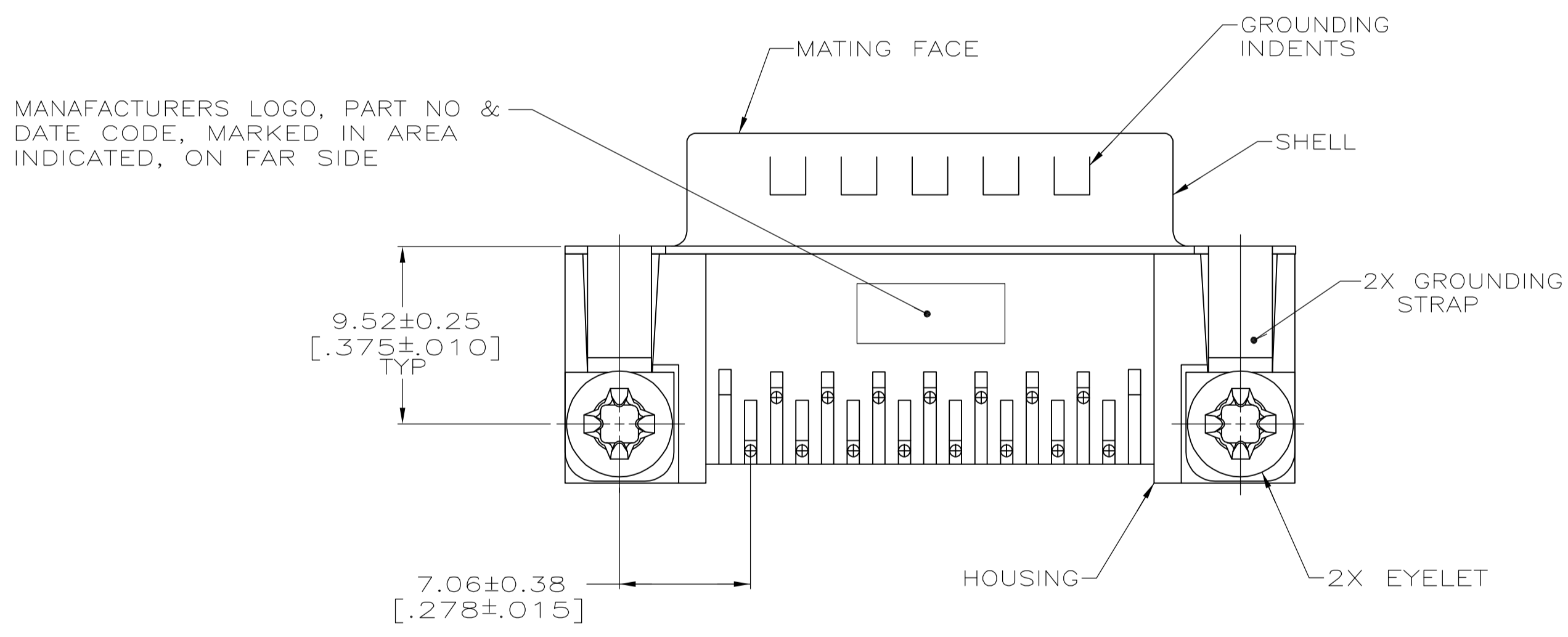
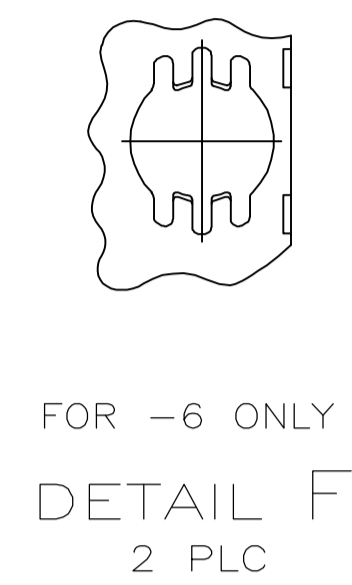
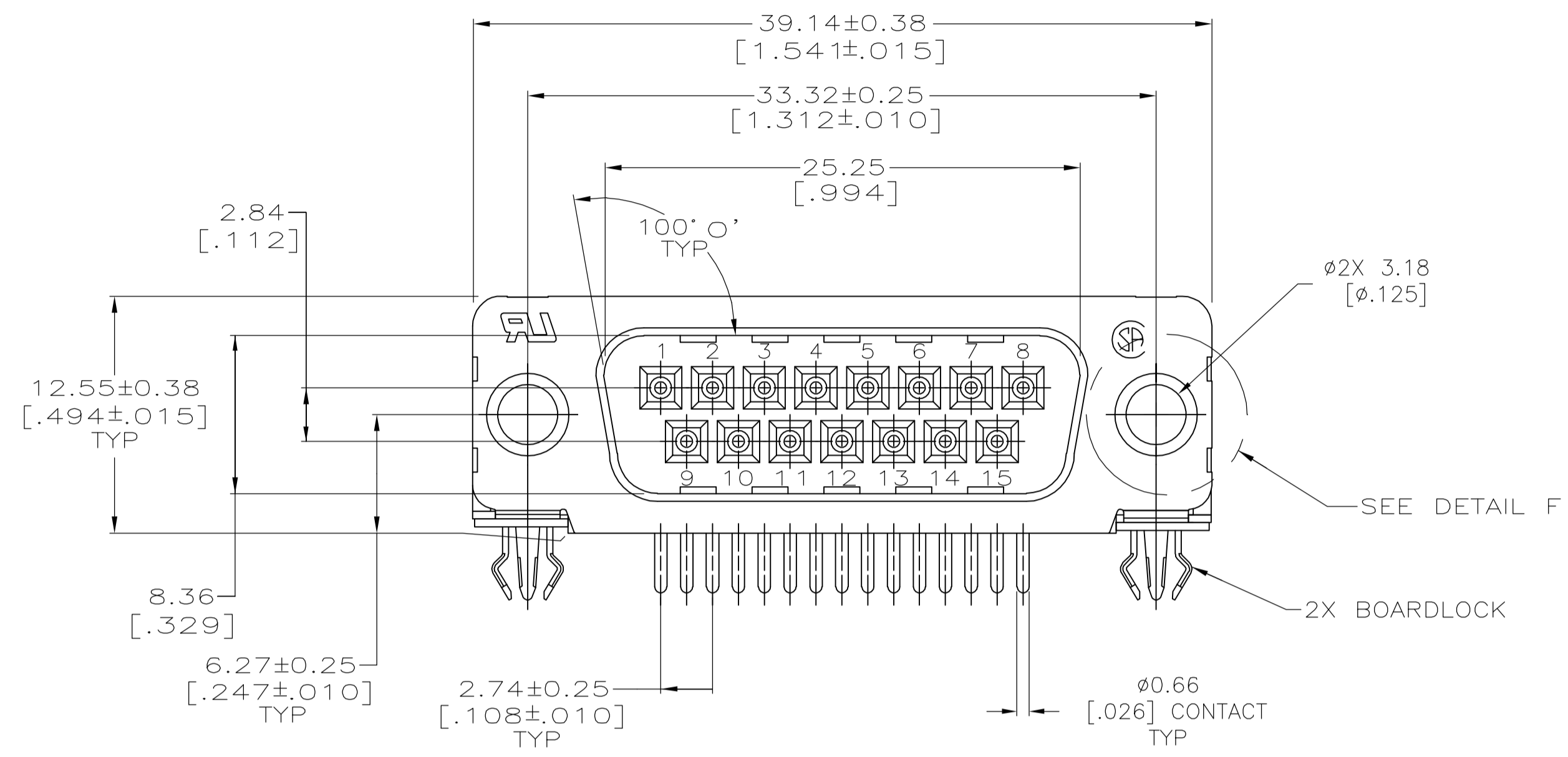
Distributed by:

**JAMECO**<sup>®</sup>  
ELECTRONICS

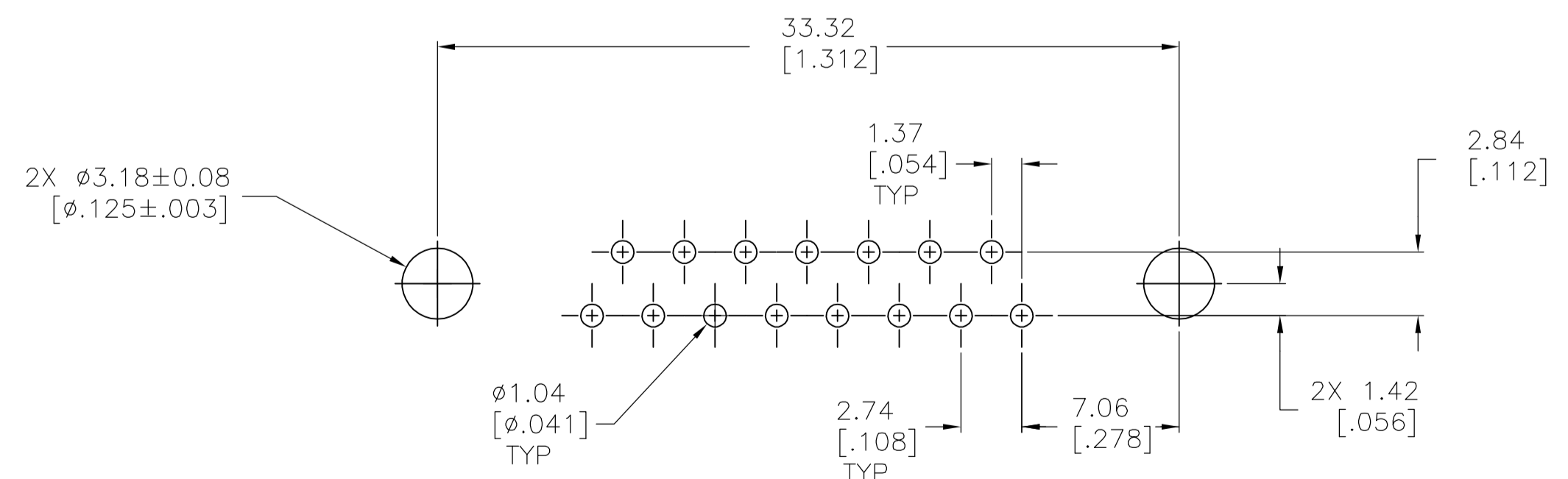
**www.Jameco.com ♦ 1-800-831-4242**

The content and copyrights of the attached  
material are the property of its owner.

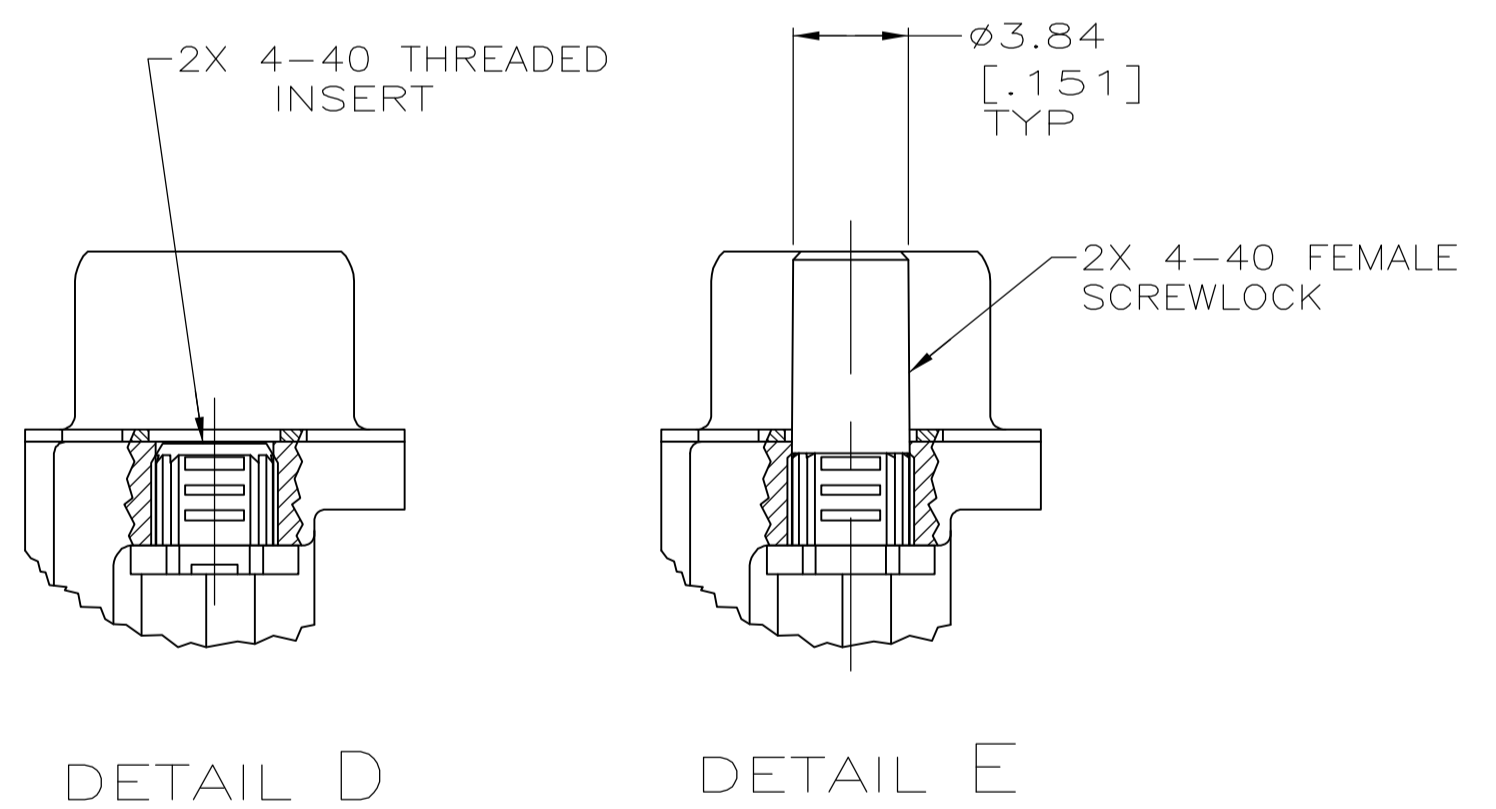
Jameco Part Number 1933064



- 1 MATERIAL:  
 HOUSING : NYLON OR POLYESTER, FLAME RETARDANT, UL 94V-0 RATED, GLASS FILLED, BLACK.  
 CONTACTS: BRASS.  
 SHELL: CARBON STEEL.  
 EYELETS: BRASS  
 BOARDLOCKS: COPPER ALLOY.  
 INSERTS: ZINC ALLOY  
 SCREWLOCKS: ZINC ALLOY
- 2 FINISH:  
 CONTACTS: SEE TABLE  
 SHELL: 2.54µm [.000100] MIN TIN OVER 1.27µm [.000050] MIN COPPER.  
 EYELETS: 5.08µm [.000200] MIN TIN OVER COPPER FLASH.  
 BOARDLOCKS: 5.08µm [.000200] MIN TIN OVER 1.27µm [.000050] MIN NICKEL.  
 INSERTS: CLEAR CHROMATE  
 SCREWLOCKS: CLEAR CHROMATE.
- 3 GOLD PLATED FOR A LENGTH OF 3.81 [.150] MIN FROM MATING END, GOLD FLASH IN MATED AREA. 2.54µm [.000100] MIN TIN FOR A LENGTH OF 3.56 [.140] MIN FROM OPPOSITE END, BOTH OVER 1.27µm [.000050] MIN NICKEL.
- 4 GOLD PLATED FOR A LENGTH OF 3.81 [.150] MIN FROM MATING END, 0.76µm [.000030] MIN GOLD IN MATED AREA, 2.54µm [.000100] MIN TIN FOR A LENGTH OF 3.56 [.140] MIN FROM OPPOSITE END, BOTH OVER 1.27µm [.000050] MIN NICKEL.  
 -OR-  
 GOLD FLASH OVER PALLADIUM NICKEL PLATED FOR A LENGTH OF 3.81 [.150] MIN FROM MATING END, 0.76µm [.000030] MIN PALLADIUM NICKEL IN MATED AREA, 2.54µm [.000100] MIN TIN FOR A LENGTH OF 3.56 [.140] MIN FROM OPPOSITE END, BOTH OVER 1.27µm [.000050] MIN NICKEL.
- 5 DIMENSION APPLIES FROM CENTER OF CONTACTS.



P.C. BOARD MOUNTING DIMENSIONS  
 P.C. BOARD THICKNESS: 1.57 [.062]



SEE DETAIL E	△	5747841-6
SEE DETAIL D	△	5747841-4
SEE DETAIL D	△	5747841-3
-	△	5747841-2
MOUNTING HARDWARE	CONTACT FINISH	PART NUMBER

THIS DRAWING IS A CONTROLLED DOCUMENT.		DIN 9	MCMMASTER	15JULY05		Tyco Electronics Corporation Harrisburg, Pa 17105-3608	
DIMENSIONS: mm [INCHES]		CHK	S. BOLASH	15JULY05		APVD	S. BOLASH
TOLERANCES UNLESS OTHERWISE SPECIFIED:		PRODUCT SPEC		NAME		PLUG ASSEMBLY, SIZE 2, 15 POSITION, RIGHT ANGLE, FRONT METAL SHELL, .318 SERIES, BOARDLOCKS, AMPLIMITE® HD-20	
0 PLC ± -		108-40025		APPLICATION SPEC		SIZE CAGE CODE DRAWING NO	
1 PLC ± -		114-40010		WEIGHT		A1	
2 PLC ± -		C=5747841		CUSTOMER DRAWING		SCALE 4:1 SHEET 1 OF 1 REV A	
3 PLC ± 0.13(.005)							
4 PLC ± -							
ANGLES ± -							