


5748271-1 Product Details



5748271-1

TE Internal Number:
5748271-1
 Active

Hardware (AMPLIMITE)

 Always EU RoHS/ELV Compliant (Statement of Compliance)

Product Highlights:

- Accessory Type = Female Screwlock Assembly Kit
- Yellow Chromate Body Finish
- Thread Size = 4-40
- Thread Length = 7.23 mm
- Screw Length = 11.94 mm

Documentation & Additional Information

Product Drawings:

- [FEMALE SCREWLOCK KIT, SHORT HEAD, .090 PANEL, AMPLIMITE](#) (PDF, English)

Catalog Pages/Data Sheets:

- None Available

Product Specifications:

- None Available

Application Specifications:

- None Available

Instruction Sheets:

- [Female Screwlock Kits and Male Screw Retainer Kits](#) (PDF, English)

CAD Files:

- None Available

Additional Information:

- [Product Line Information](#)

Related Products:

- [Tooling](#)

Product Features (Please use the Product Drawing for all design activity)

Product Type Features:

- Accessory Type = Female Screwlock Assembly Kit
- [Thread Size](#) = 4-40

Dimensions:

- [Screw Length](#) (mm [in]) = 11.94 [0.470]

Body Features:

- [Body Finish](#) = Yellow Chromate
- [Thread Length](#) (mm [in]) = 7.23 [0.285]
- Screwlock Style = Screwlock With Lockwasher and Hex Nut
- [Screw Finish](#) = Yellow Chromate
- Body Material = Steel

Industry Standards:

- Government/Industry Qualification = No
- [RoHS/ELV Compliance](#) = RoHS compliant, ELV compliant
- [Lead Free Solder Processes](#) = Not relevant for lead free process
- RoHS/ELV Compliance History = Always was RoHS compliant

Packaging Features:

- [Packaging Method](#) = Kit

Other:

- Brand = AMP
- Comment = For Front Panel Mount.; Without Flat Washers

THIS DRAWING IS UNPUBLISHED.

RELEASED FOR PUBLICATION

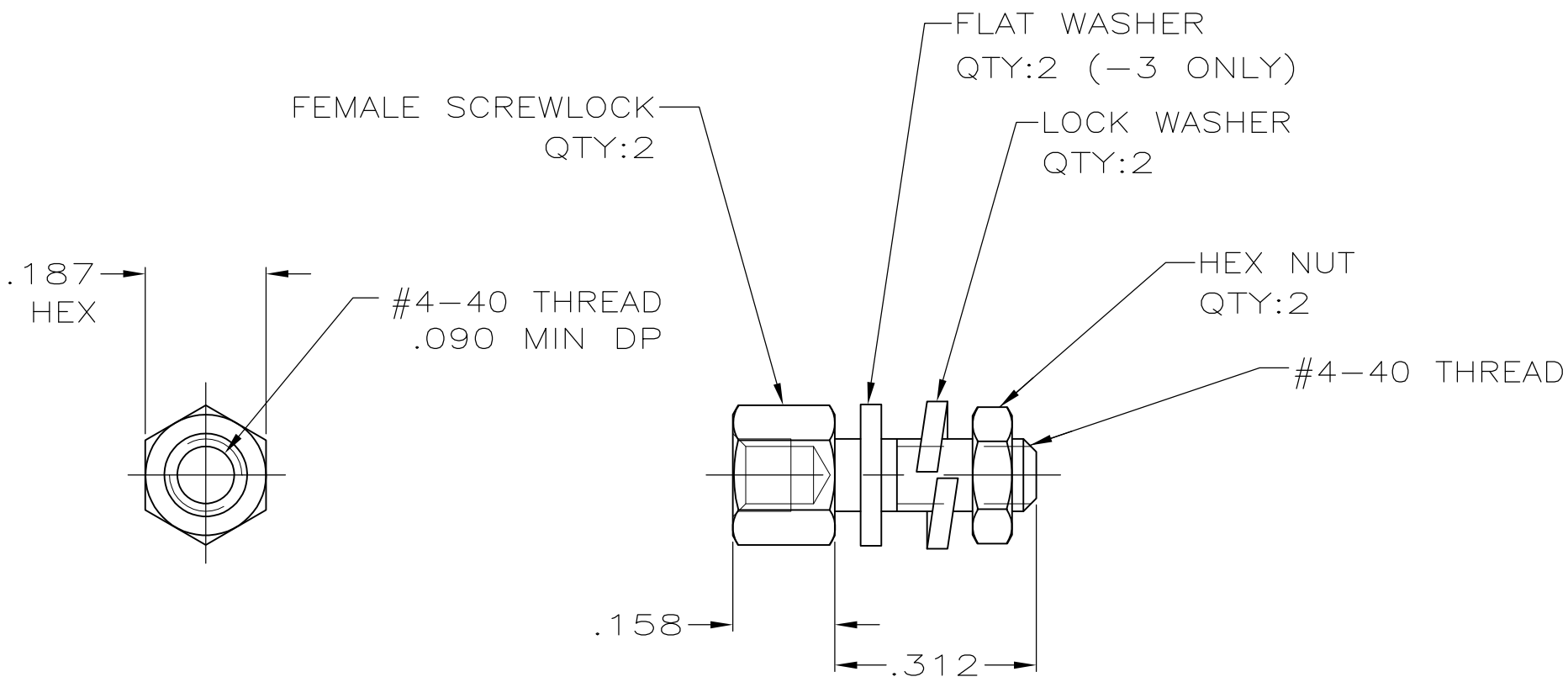
ALL RIGHTS RESERVED.

© COPYRIGHT - By -

LOC GP DIST 00

REVISIONS

P	LTR	DESCRIPTION	DATE	DWN	APVD
P		REVISED PER ECO-11-004835	11MAR11	RK	HMR


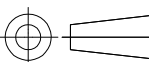


1. PARTS PACKAGED UNASSEMBLED.

2. PARTS PACKAGED AS A UNIT KIT.

3 ZINC PLATING .000200-.000400 THICK, YELLOW CHROMATE COATING.

W/ FLAT WASHER	5748271-3
W/O FLAT WASHER	5748271-1
REMARKS	PART NUMBER

THIS DRAWING IS A CONTROLLED DOCUMENT.		DWN S.WAITMAN 12JUL05	 TE Connectivity NAME FEMALE SCREWLOCK KIT, SHORT HEAD, .090 PANEL, AMPLIMITE				
DIMENSIONS: INCHES		CHK C.ROHDE 12JUL05					
		APVD M.WALMSLEY 12JUL05					
TOLERANCES UNLESS OTHERWISE SPECIFIED:		PRODUCT SPEC					
0 PLC ± - 1 PLC ± - 2 PLC ± - 3 PLC ± .005 4 PLC ± - ANGLES ± -		APPLICATION SPEC	SIZE	CAGE CODE	DRAWING NO	RESTRICTED TO	
MATERIAL STEEL		FINISH 3	WEIGHT -	A3	00779	C-5748271	-
CUSTOMER DRAWING			SCALE 4:1	SHEET 1 OF 1	REV P		