

5748477-1 Product Details

[Share](#) [Print](#) [Email](#)



5748477-1

TE Internal Number: 5748477-1

Active

Standard Cable Connectors

Always EU RoHS/ELV Compliant (Statement of Compliance)

Product Highlights:

- Connector
- Product Series = HDP-22 (Crimp Snap)
- 78 Positions
- With Enclosure
- Shielded

[View all Features](#)

Quick Links

- ▶ [Pricing & Availability](#)
- ▶ [Search for Tooling](#)
- ▶ [View Mating Products \(1\)](#)
- ▶ [View Plug Kits \(1\)](#)
- ▶ [Product Feature Selector](#)
- ▶ [Contact Us About This Product](#)

[Add to My Part List](#)

[Request Sample](#)

[Find Similar Products](#)

[Buy Product](#)

Documentation & Additional Information

Product Drawings:

- [SHIELDING ENCLOSURE KIT, PLUG, SIZE 5, 78 POSITION, ... \(PDF, English\)](#)

Catalog Pages/Data Sheets:

- [AMPLIMITE Subminiature D Connectors - Cable Connectors \(PDF, English\)](#)

Product Specifications:

- [AMPLIMITE* HDP-22 Subminiature D Connector with Remo... \(PDF, English\)](#)

Application Specifications:

- None Available

Instruction Sheets:

- [Shielding Hardware Enclosure Kits with AMPLIMITE* HD... \(PDF, English\)](#)
- [AMPLIMITE HDP-22 Connectors \(Plugs and Receptacles w... \(PDF, English\)](#)
- [Insertion/Extraction Tool 91285-1 and Replacement Ti... \(PDF, English\)](#)

CAD Files:

- None Available

Additional Information:

- [Product Line Information](#)

Related Products:

- [Tooling](#)
- [Mating Products \(1\)](#)
- [Plug Kits \(1\)](#)

[List all Documents](#)

Product Features (Please use the Product Drawing for all design activity)

Product Type Features:

- [Product Type](#) = Connector
- [Product Series](#) = HDP-22 (Crimp Snap)
- [Mating Connector Lock](#) = With
- [Mating Connector Lock Type](#) = Jackscrews
- [Shell Size](#) = 5
- [Shell Type](#) = Full Metal Shell
- [Grounding Indents](#) = With
- [Grade](#) = Standard
- [Enclosure Material](#) = PVC
- [Color](#) = Electrodeposited Polyurethane, Black

Dimensions:

- [Cable Insulation Diameter \(mm \[in\]\)](#) = 8.59 - 14.28 [0.338 - 0.562]
- [Cable Diameter \(Max.\) \(mm \[in\]\)](#) = 14.27 [0.562]

Body Features:

- [Jackscrew Material](#) = Zinc Alloy
- [Shell Material](#) = Steel
- [Shell Plating](#) = Tin
- [Shield Material](#) = Steel
- [Shield Plating](#) = Tin
- [Insert Material](#) = Thermoplastic

Contact Features:

- [Contact Size](#) = 22

Housing Features:

- [Enclosure](#) = With
- [Connector Style](#) = Plug

Configuration Features:

- [Number of Positions](#) = 78
- [Shielded](#) = Yes
- [Preloaded](#) = No
- [Pre-Assembled](#) = No

Industry Standards:

- [RoHS/ELV Compliance](#) = RoHS compliant, ELV compliant
- [Lead Free Solder Processes](#) = Not relevant for lead free process
- [RoHS/ELV Compliance History](#) = Always was RoHS compliant
- [Insert Flammability Rating](#) = UL 94V-0

Packaging Features:

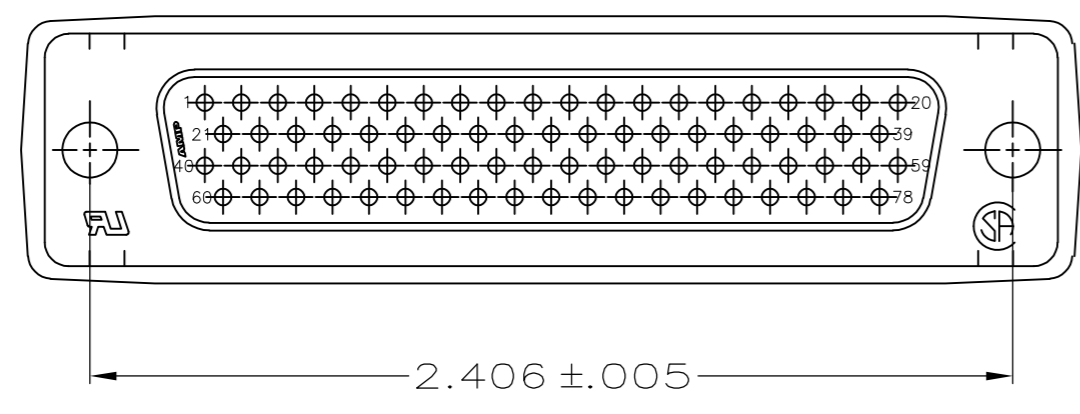
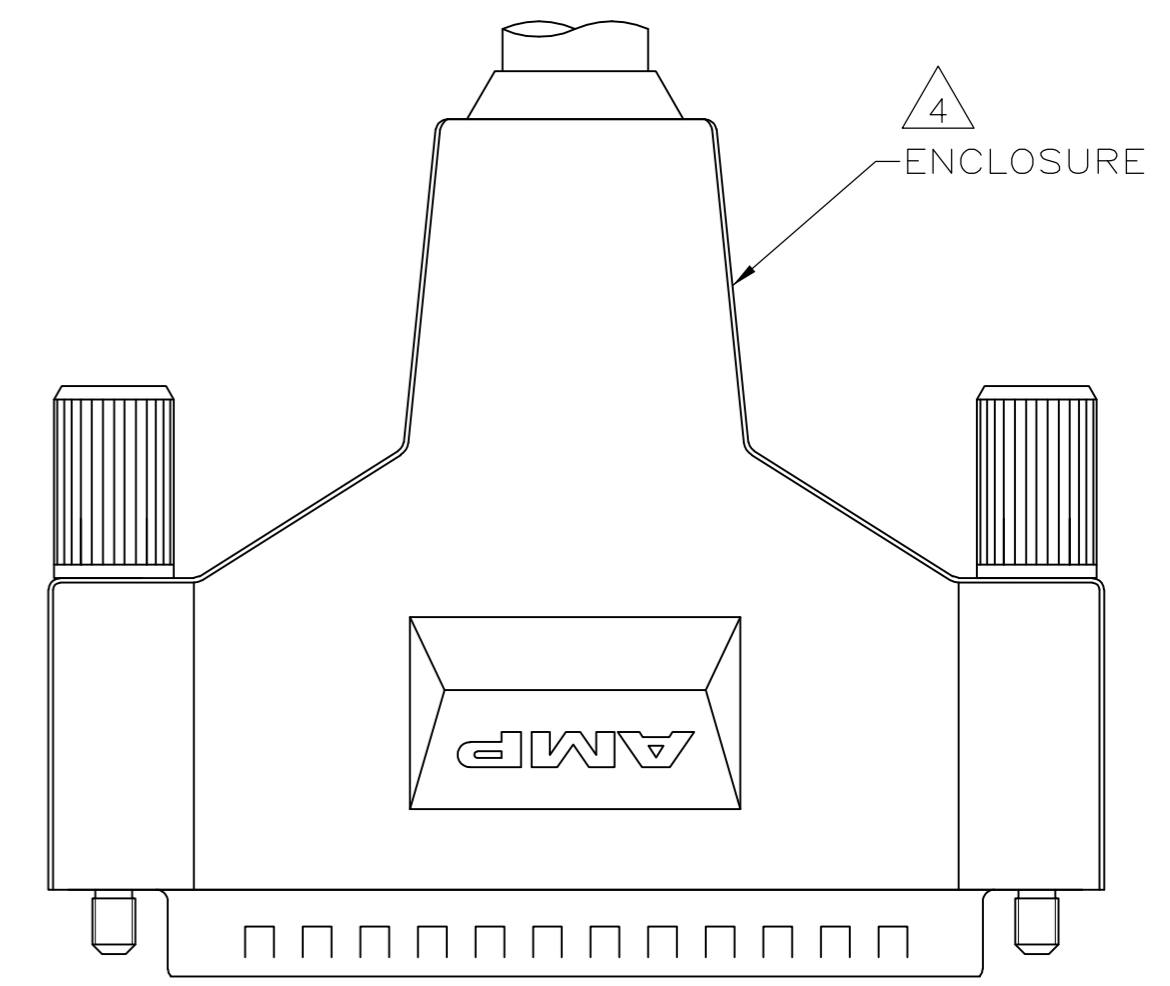
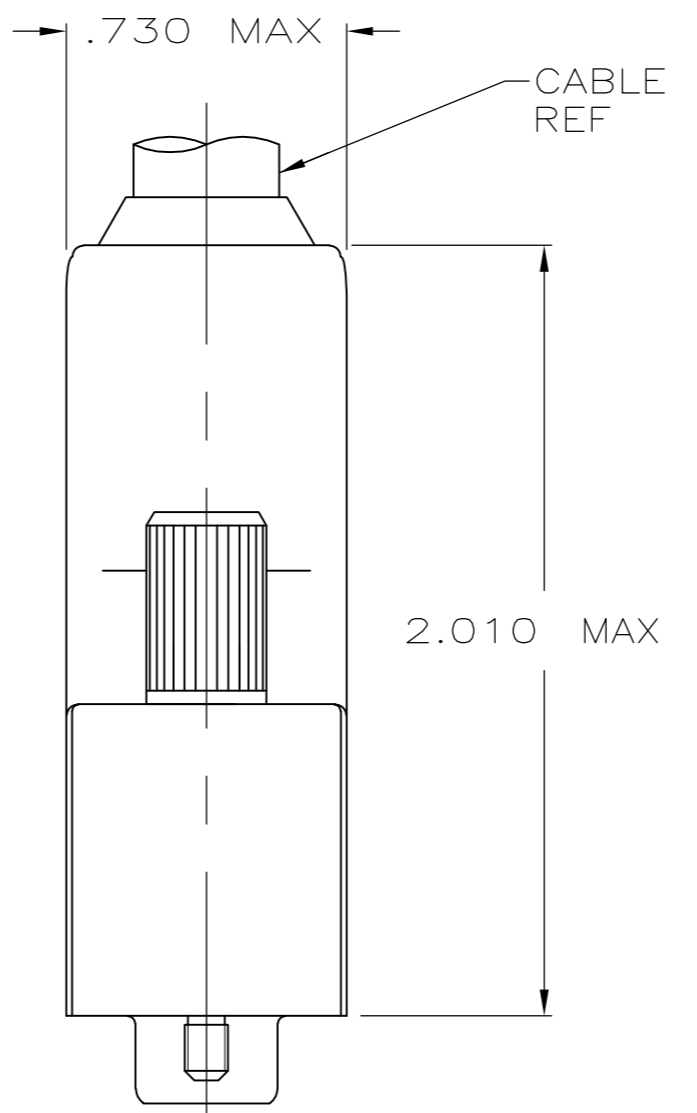
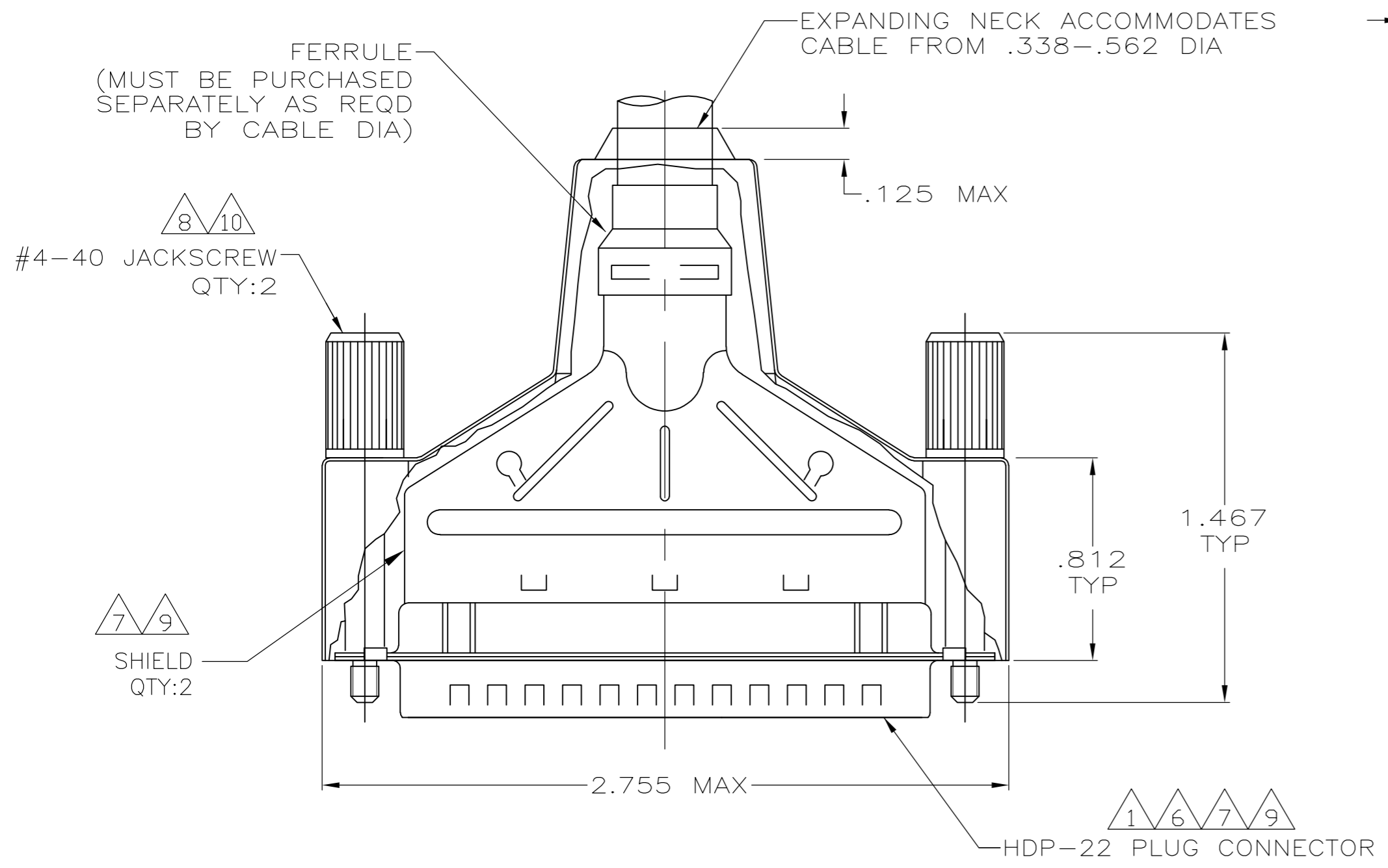
- [Packaging Method](#) = Loose Piece/Bulk
- [Packaging Quantity](#) = 100

Other:

- [Brand](#) = AMP
- [Comment](#) = There is a maximum Cable O.D. of 14.27 [.562] for Shielding Enclosure Expansion Tool 58241-2.; Components shipped unassembled, each part bulk-packaged.; Expansion Tool P/N 58241-2 is for use with Cable with a Maximum Outer Diameter of 14.28 [.562] .

THIS DRAWING IS UNPUBLISHED. RELEASED FOR PUBLICATION
 © COPYRIGHT - By - ALL RIGHTS RESERVED.

LOC	DIST	REVISIONS					
GP	00	P	LTR	DESCRIPTION	DATE	DWN	APVD
		C		REVISED PER ECO-11-019152	25OCT2011	CJV	CWR



- 1 PLUG ACCEPTS SIZE 22 DF PIN CONTACTS PURCHASED SEPARATELY.
- 2. ALL PARTS SHIPPED UNASSEMBLED.
- 3 COMPONENTS INDIVIDUALLY BULK PACKAGED.
- 4 ELASTOMER, STYRENE POLYOLEFIN, OR PVC, BLACK.
- 5 NOTE DELETED.
- 6 FLAME RETARDANT, 94V-0 RATED, GLASS FILLED, NYLON, BLACK.
- 7 CARBON STEEL PER ASTM A109.
- 8 ZINC ALLOY.
- 9 .000200 MIN TIN PLATE OVER .000100 MIN COPPER UNDERPLATE.
- 10 ELECTRODEPOSITED POLYURETHANE, BLACK.

3	W/ LOGOS	5748477-1
PACKAGING	REMARKS	PART NUMBER

THIS DRAWING IS A CONTROLLED DOCUMENT.		DWN 12-21-04 L. VARELA - DOCK5		
DIMENSIONS: INCHES		CHK 12-21-04 J. GERACE		
TOLERANCES UNLESS OTHERWISE SPECIFIED:		APVD 12-21-04 M. WALMSLEY	NAME	
0 PLC ± -		PRODUCT SPEC	SHIELDING ENCLOSURE KIT, PLUG,	
1 PLC ± -		108-40005 & 108-40030	SIZE 5, 78 POSITION,	
2 PLC ± -		APPLICATION SPEC	AMPLIMITE HDP-22	
3 PLC ± .020		114-40030	SIZE	CAGE CODE
4 PLC ± -		WEIGHT -	A2	00779
ANGLES ± -		CUSTOMER DRAWING	DRAWING NO	
FINISH		SCALE 2:1	SHEET 1 of 1	
MATERIAL		REV C	RESTRICTED TO	
4 6 7 8		C=5748477		