

Distributed by:

**JAMECO**<sup>®</sup>  
ELECTRONICS

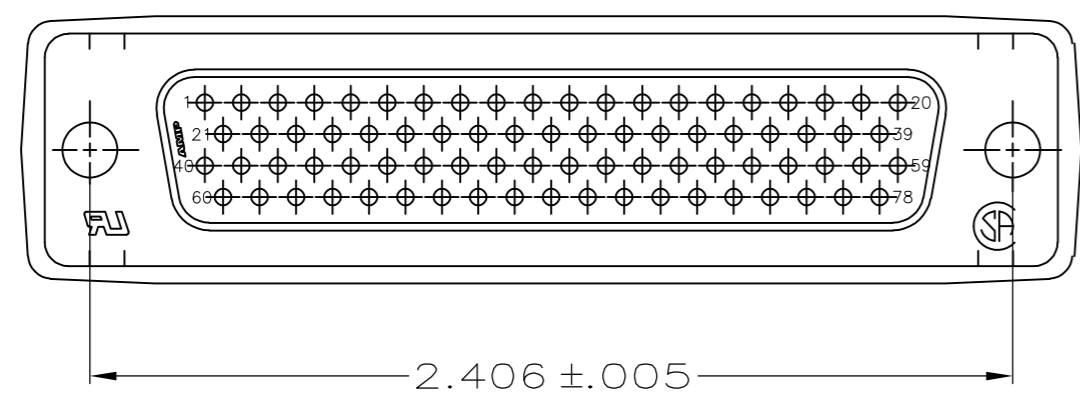
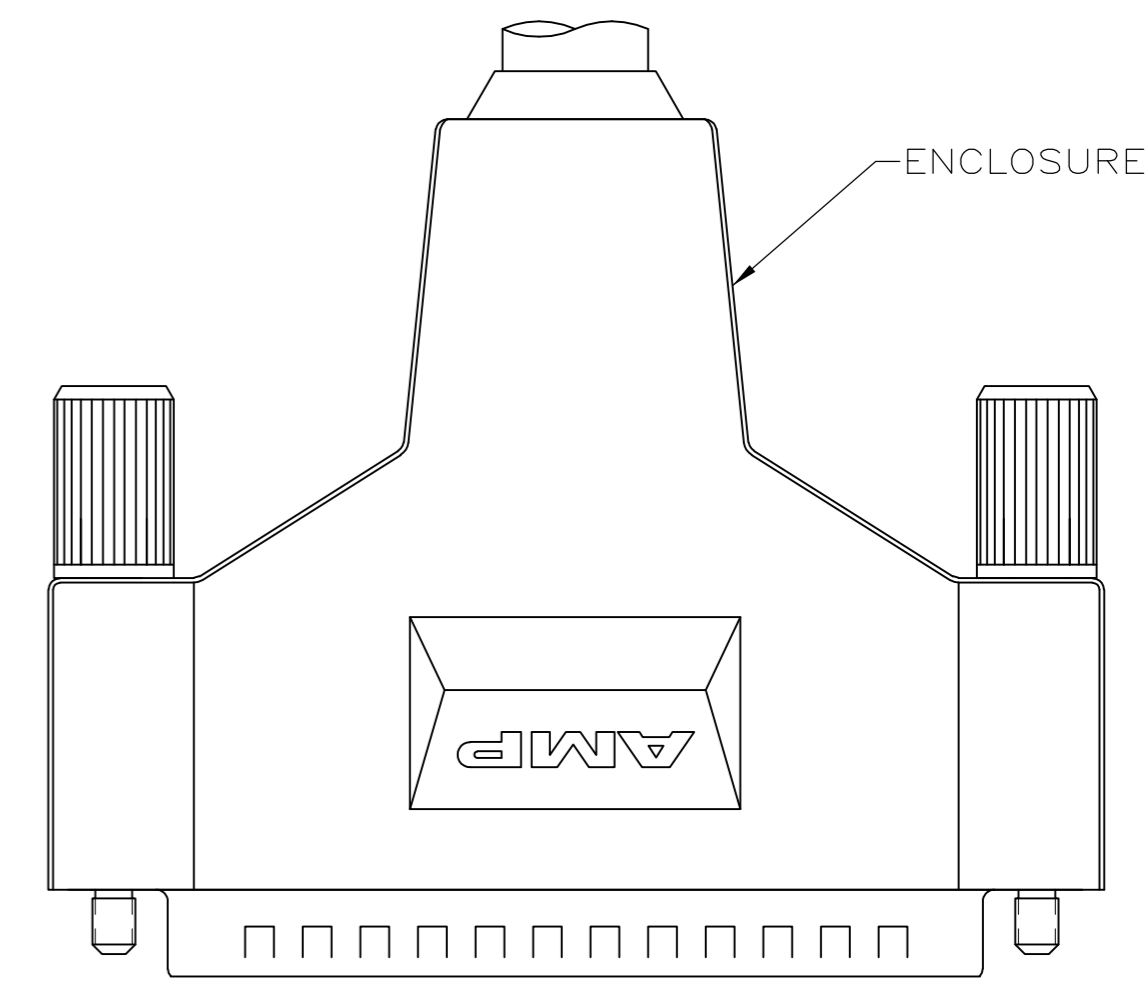
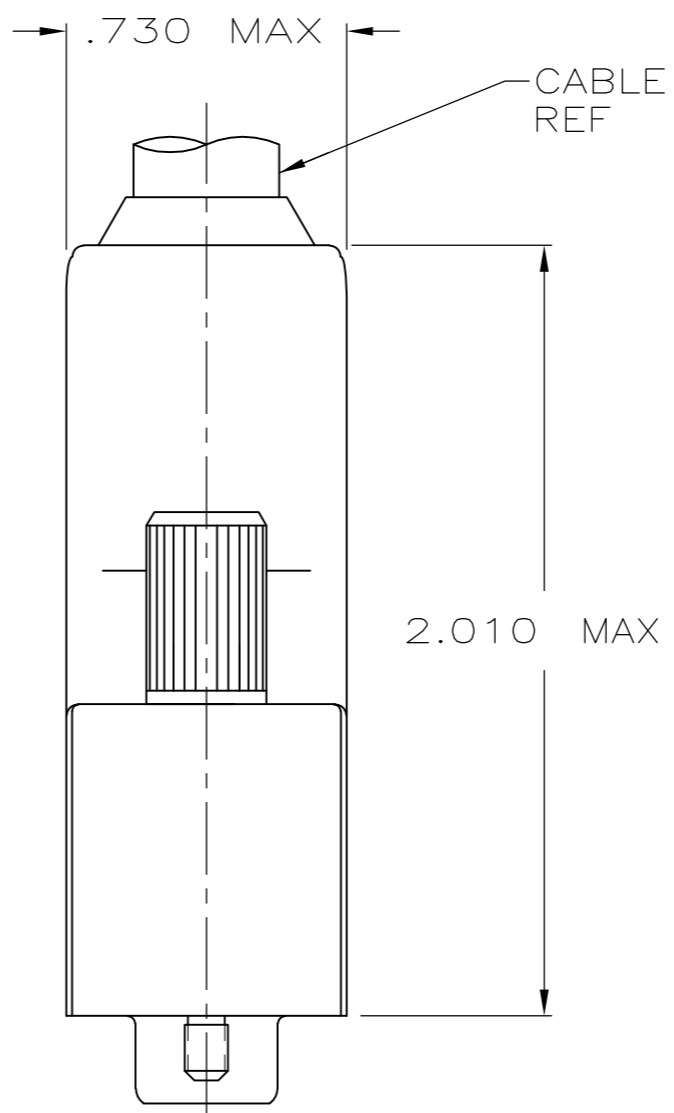
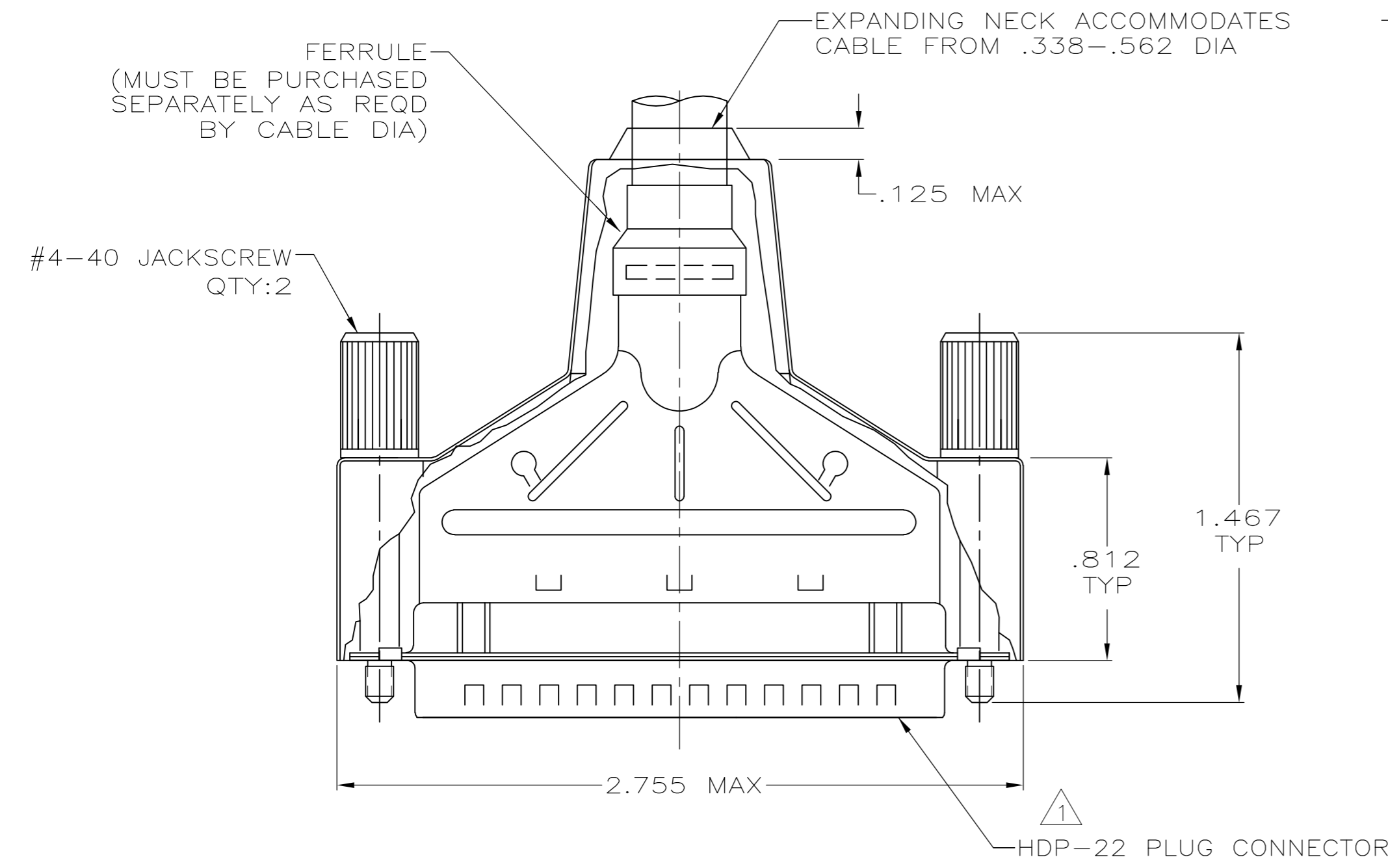
**www.Jameco.com ♦ 1-800-831-4242**

The content and copyrights of the attached  
material are the property of its owner.

Jameco Part Number 1975168

THIS DRAWING IS UNPUBLISHED. RELEASED FOR PUBLICATION  
 © COPYRIGHT BY TYCO ELECTRONICS CORPORATION. ALL RIGHTS RESERVED.

LOC	DIST	REVISIONS			
P	LTR	DESCRIPTION	DATE	DWN	APVD
GP	00	REVISED PER ECO-08-003213	05FEB08	BM	CR



- ① PLUG ACCEPTS SIZE 22 DF SOCKET CONTACTS. CONTACTS MUST BE PURCHASED SEPARATELY.
- 2. ALL PARTS SHIPPED UNASSEMBLED.
- 3. COMPONENTS INDIVIDUALLY BULK PACKAGED.
- ④ ENCLOSURE: ELASTOMER, STYRENE POLYOLEFIN, OR PVC, BLACK.
- ⑤ SLIDE LATCH: STAINLESS STEEL PER ASTM A167.
- ⑥ INSERTS: FLAME RETARDANT, 94V-0 RATED, GLASS FILLED, NYLON, BLACK.
- ⑦ SHIELDS & SHELLS: CARBON STEEL PER ASTM A109.
- ⑧ JACKSCREWS: ZINC ALLOY.
- ⑨ SHELLS & SHIELDS: .000200 MIN TIN PLATE OVER .000100 MIN COPPER UNDERPLATE.
- ⑩ JACKSCREWS: ZINC PHOSPHATE COATING, BLACK.

5748477

5748477-1  
PART NUMBER

THIS DRAWING IS A CONTROLLED DOCUMENT.		DWN 12-21-04 L. VARELA - DOCK5	Tyco Electronics Corporation Harrisburg, PA 17105-3608	
DIMENSIONS: INCHES		108-40005 & 108-40030 J. GERACE	NAME SHIELDING ENCLOSURE KIT, PLUG, SIZE 5, 78 POSITION, AMPLIMITE HDP-22	
TOLERANCES UNLESS OTHERWISE SPECIFIED:		APVD 12-21-04 M. WALMSLEY	SIZE CAGE CODE DRAWING NO RESTRICTED TO	
0 PLC ± -		PRODUCT SPEC	A2	00779 C=5748477
1 PLC ± -		APPLICATION SPEC	SCALE 2:1 SHEET 1 of 1 REV A	
2 PLC ± -		114-40030		
3 PLC ± .020		WEIGHT -		
4 PLC ± -		CUSTOMER DRAWING		
ANGLES ± -				
FINISH				
④ ⑤ ⑥ ⑦ ⑧				
⑨ ⑩				