

5748482-5 Product Details

[Share](#) [Print](#) [Email](#)




5748482-5

TE Internal Number: 5748482-5

 Active

[View 3D PDF](#)

Standard Board Mount Connectors

 Always EU RoHS/ELV Compliant
(Statement of Compliance)

Product Highlights:

- 44 Positions
- Connector Style = Receptacle
- PCB Mounting Orientation = Right Angle
- Product Series = HD-22
- With Mating Connector Lock

[View all Features](#)

Quick Links

- ▶ [Pricing & Availability](#)
- ▶ [Search for Tooling](#)
- ▶ [Product Feature Selector](#)
- ▶ [Contact Us About This Product](#)

[Add to My Part List](#)

[Request Sample](#)

[Find Similar Products](#)

[Buy Product](#)

Documentation & Additional Information

Product Drawings:

- [AMPLIMITE HD-22, 44 POSITION RECEPTACLE, RIGHT ANGLE](#) (PDF, English)

Catalog Pages/Data Sheets:

- [AMPLIMITE Subminiature D Connectors - Right-Angle Po...](#) (PDF, English)

Product Specifications:

- [AMPLIMITE* HD-22 Front Metal Shell, PCB Mounted Conn...](#) (PDF, English)

Application Specifications:

- [AMPLIMITE HD-22 Right-Angle Front Metal Shell Connectors](#) (PDF, English)

Instruction Sheets:

- None Available

CAD Files: (CAD Format & Compression Information)

- [2D Drawing](#) (DXF, Version A)
- [3D Model](#) (IGES, Version A)
- [3D Model](#) (STEP, Version A)

[List all Documents](#)

Additional Information:

- [Product Line Information](#)

Additional Product Images:

- [Product Photo](#)

Related Products:

- [Tooling](#)

Product Features (Please use the Product Drawing for all design activity)

Product Type Features:

- PCB Mounting Orientation = Right Angle
- Product Series = HD-22
- Mating Connector Lock = With
- Mating Connector Lock Type = Threaded Inserts
- PCB Mount Retention = With
- PCB Mount Retention Type = Boardlock(s)
- Shell Type = Front Metal Shell
- Shell Size = 3
- Footprint (mm [in]) = 8.89 [.350]
- Grounding Indents = Without
- Grounding Straps = Without
- PCB Mount Style = Through Hole
- Color Code = None
- Sealed = No

Body Features:

- Shell Material = Steel
- Shell Plating = Nickel
- Threaded Insert Material = Zinc
- Threaded Insert Plating = Clear Chromate

Contact Features:

- [Contact Plating, Mating Area, Material](#) = Gold (30)
- [Solder Tail Contact Plating](#) = Tin over Nickel
- Contact Base Material = Phosphor Bronze

Housing Features:

- Connector Style = Receptacle
- UL Flammability Rating = UL 94V-0
- Housing Material = Thermoplastic - GF

- Mounting Hole Diameter (mm [in]) = 3.18 [.125]

Mechanical Attachment:

- Panel Mount Retention = Without

Termination Features:

- Grounding Clips = Without
- Termination Post Length (mm [in]) = 3.18 [0.125]

Dimensions:

- PCB Thickness, Recommended (in [mm]) = 0.062 [1.57]

Configuration Features:

- Number of Positions = 44

Industry Standards:

- RoHS/ELV Compliance = RoHS compliant, ELV compliant
- Lead Free Solder Processes = Wave solder capable to 240°C, Wave solder capable to 260°C, Wave solder capable to 265°C
- RoHS/ELV Compliance History = Always was RoHS compliant

Other:

- Brand = AMP

Corporate Information

- [About TE](#)
- [Investors](#)
- [News Room](#)
- [Supplier Portal](#)
- [Careers](#)
- [Terms & Conditions](#)
- [Privacy Policy](#)

Quick Links

- [Distributor Inventory](#)
- [Product Cross Reference](#)
- [Documents & Drawings](#)
- [Product Compliance Support Center](#)
- [Site Map](#)

Customer Support

- [Email or Chat With Us](#)
- [Find a Phone Number](#)
- [Knowledge Base](#)
- [Manage Your Account](#)

Keep Me Informed



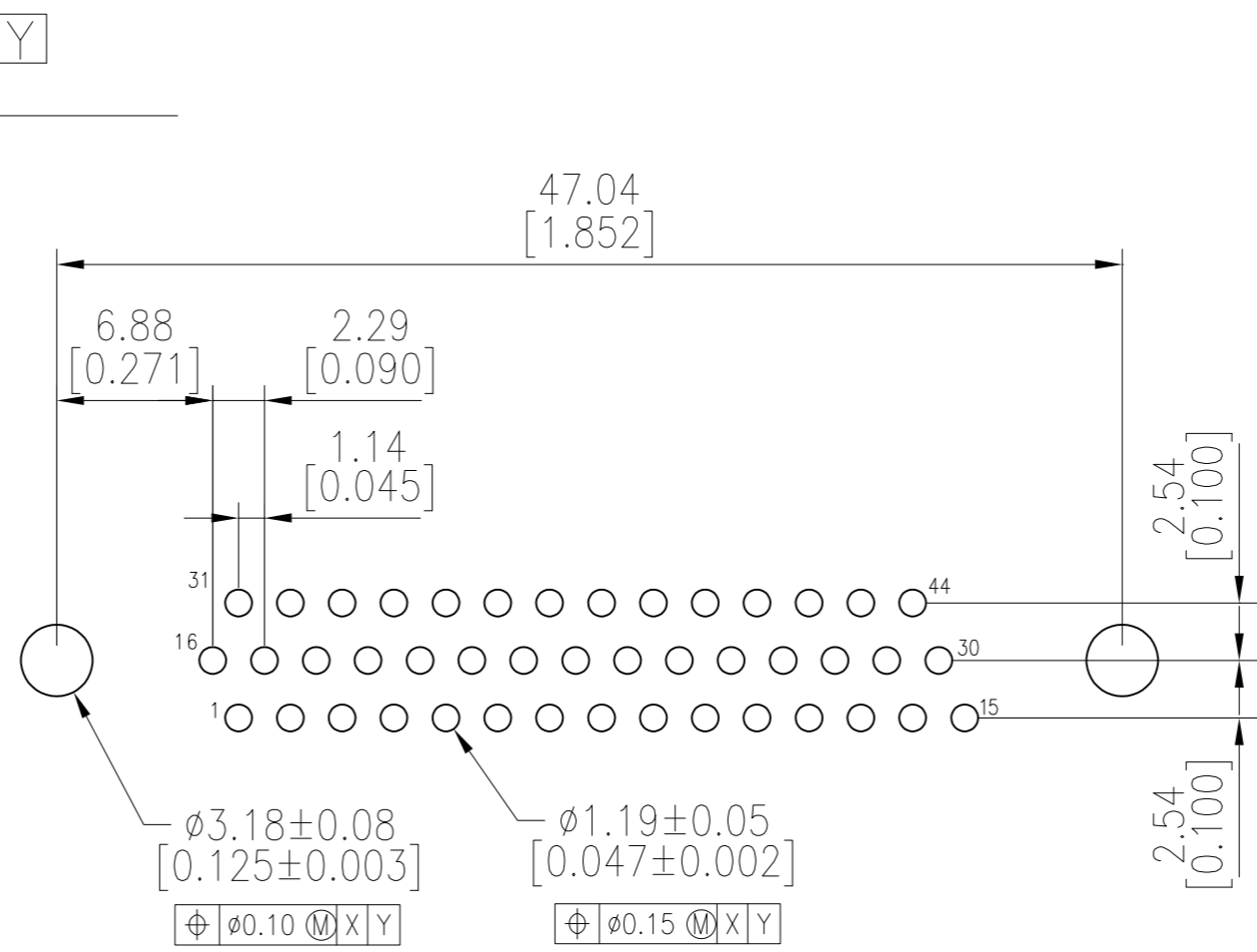
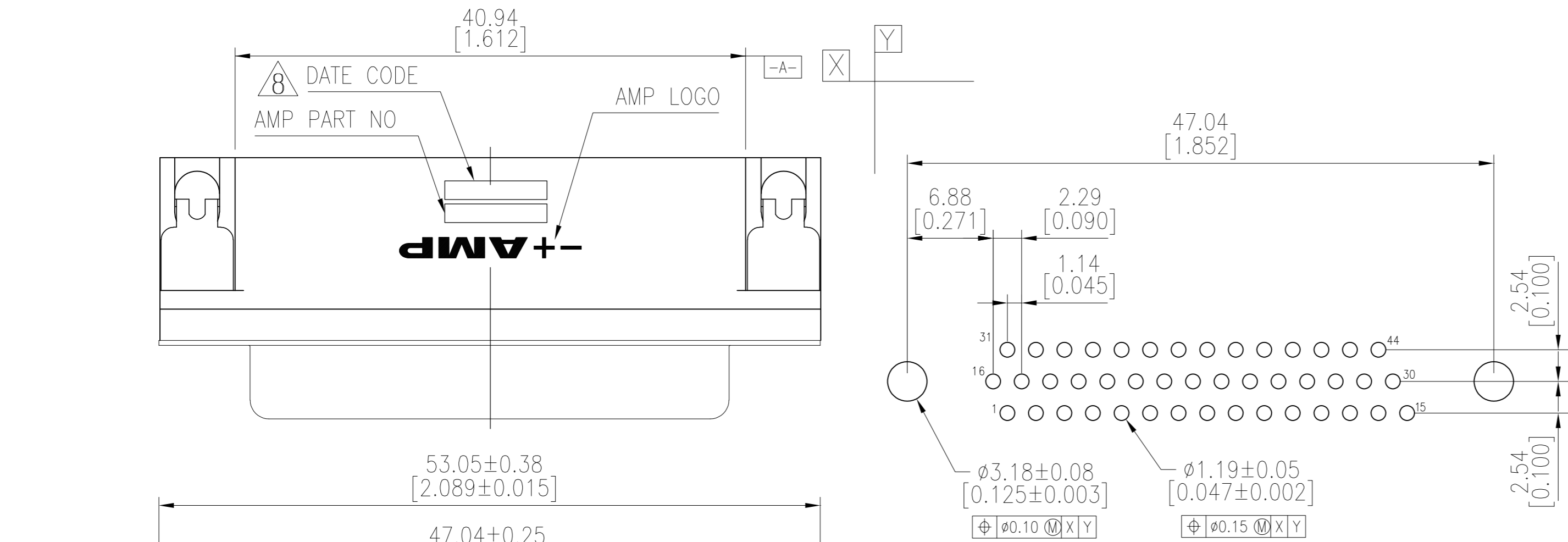
THIS DRAWING IS UNPUBLISHED. RELEASED FOR PUBLICATION
 © COPYRIGHT - By - ALL RIGHTS RESERVED.

LOC		DIST		REVISIONS			
GP	00	P	LTR	DESCRIPTION	DATE	DWN	APVD
		A1		REVISED PER ECO-11-004835	11MAR11	RK	HMR

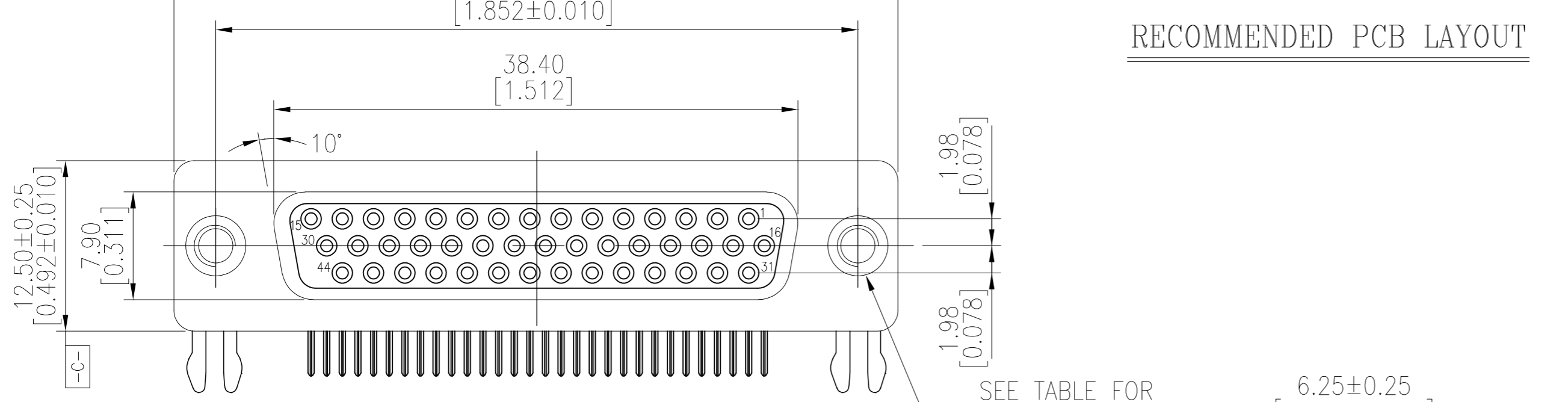
MATERIAL:

- Housing: PBT , 30 % G.F polyester, Black. (UL 94V-0 Rated)
- Contact: Phos. Bronze.
- Contact Plated: Gold Plated over 50u" Nickel underplated.
- Solder Tail: Sn Plated 120u" over 50u" Nickel underplated.
- Shell: Steel, Nickel Plated.
- Boardlocks: Brass, Tin Plated 100u".
- Screwlocks: Brass, Nickel Plated 30u".

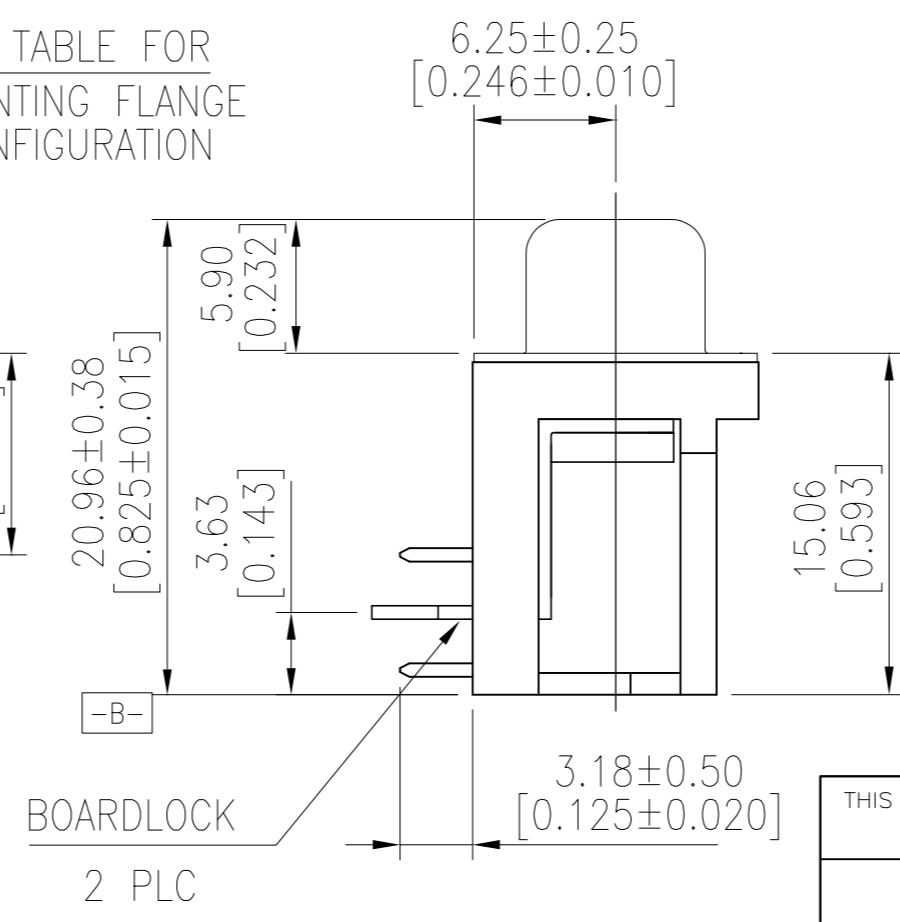
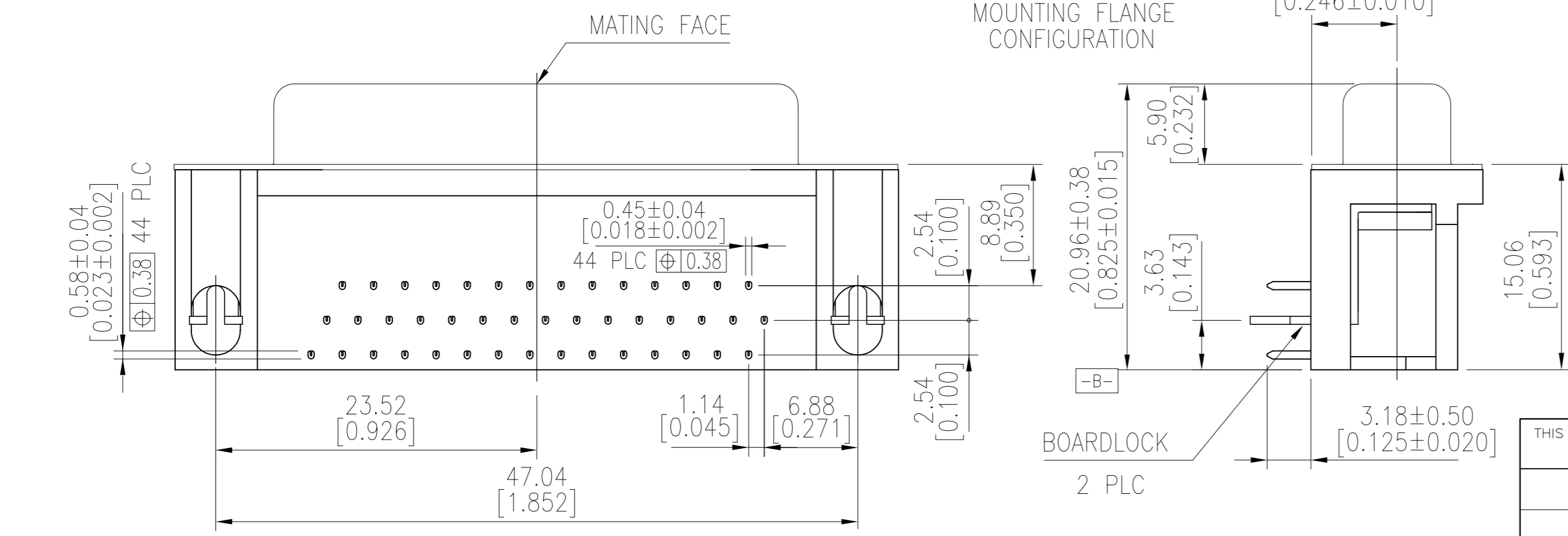
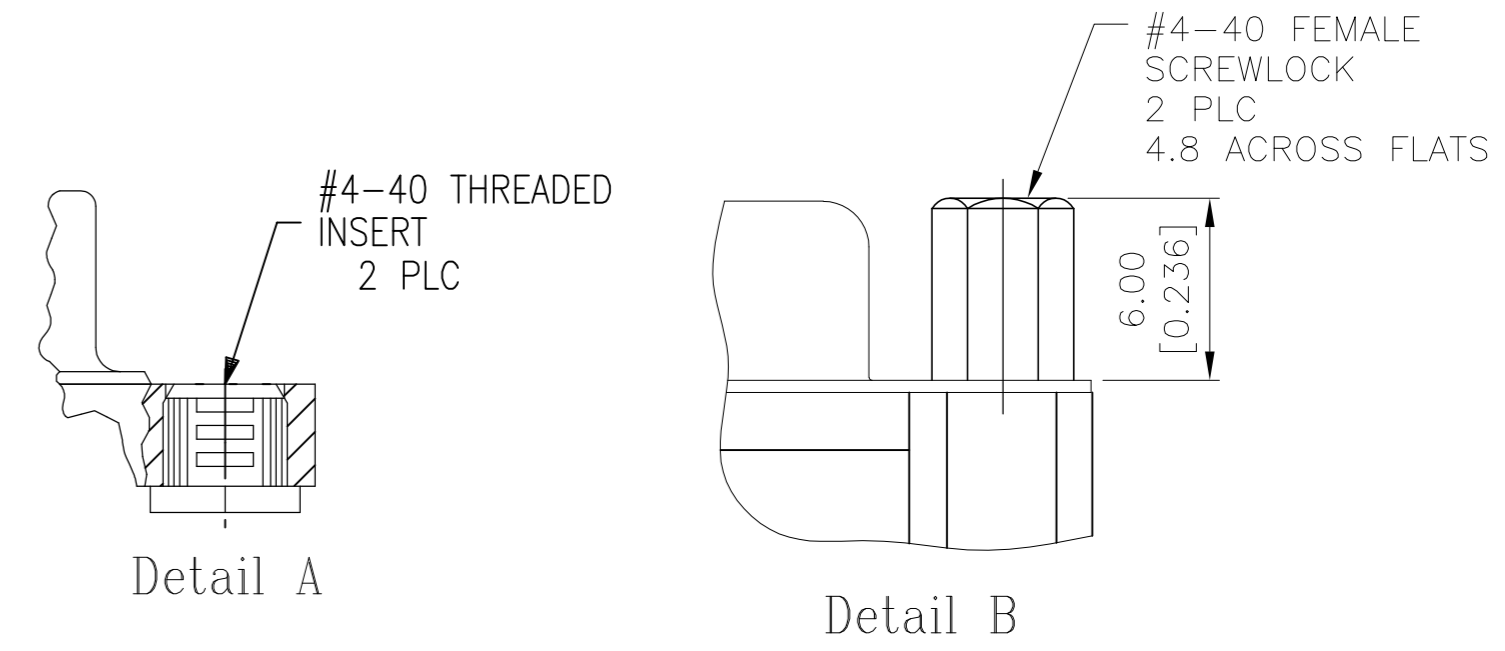
△ Four digit date code in this format.
 Year 01 45 Manufacturing Week



RECOMMENDED PCB LAYOUT



SEE TABLE FOR MOUNTING FLANGE CONFIGURATION



	Tray	Detail B	15 μ"	2-5748482-5
OBSOLETE	Tray	Detail A	Gold flash	2-5748482-4
OBSOLETE	Tray	Detail A	15 μ"	2-5748482-3
	Tray	Detail A	30 μ"	5748482-5
	Packaging	Mounting Flange	Contact Finish	Part No

THIS DRAWING IS A CONTROLLED DOCUMENT.		DWN	J.GERACE	25FEB05	TE Connectivity AMPLIMITE HD-22, 44 POSITION RECEPTACLE, RIGHT ANGLE			
DIMENSIONS: mm [INCHES]		CHK	S.BOLASH	25FEB05				
TOLERANCES UNLESS OTHERWISE SPECIFIED:		APVD	M.WALMSLEY	25FEB05				
0 PLC ± - 1 PLC ± 0.30 2 PLC ± 0.20 3 PLC ± 0.10 4 PLC ± - ANGLES ± 2°		PRODUCT SPEC						
MATERIAL	FINISH	APPLICATION SPEC			SIZE	CAGE CODE	DRAWING NO	RESTRICTED TO
		WEIGHT			A2	00779	C=5748482	
CUSTOMER DRAWING		SCALE	1:1	SHEET	1 OF 1	REV	A1	