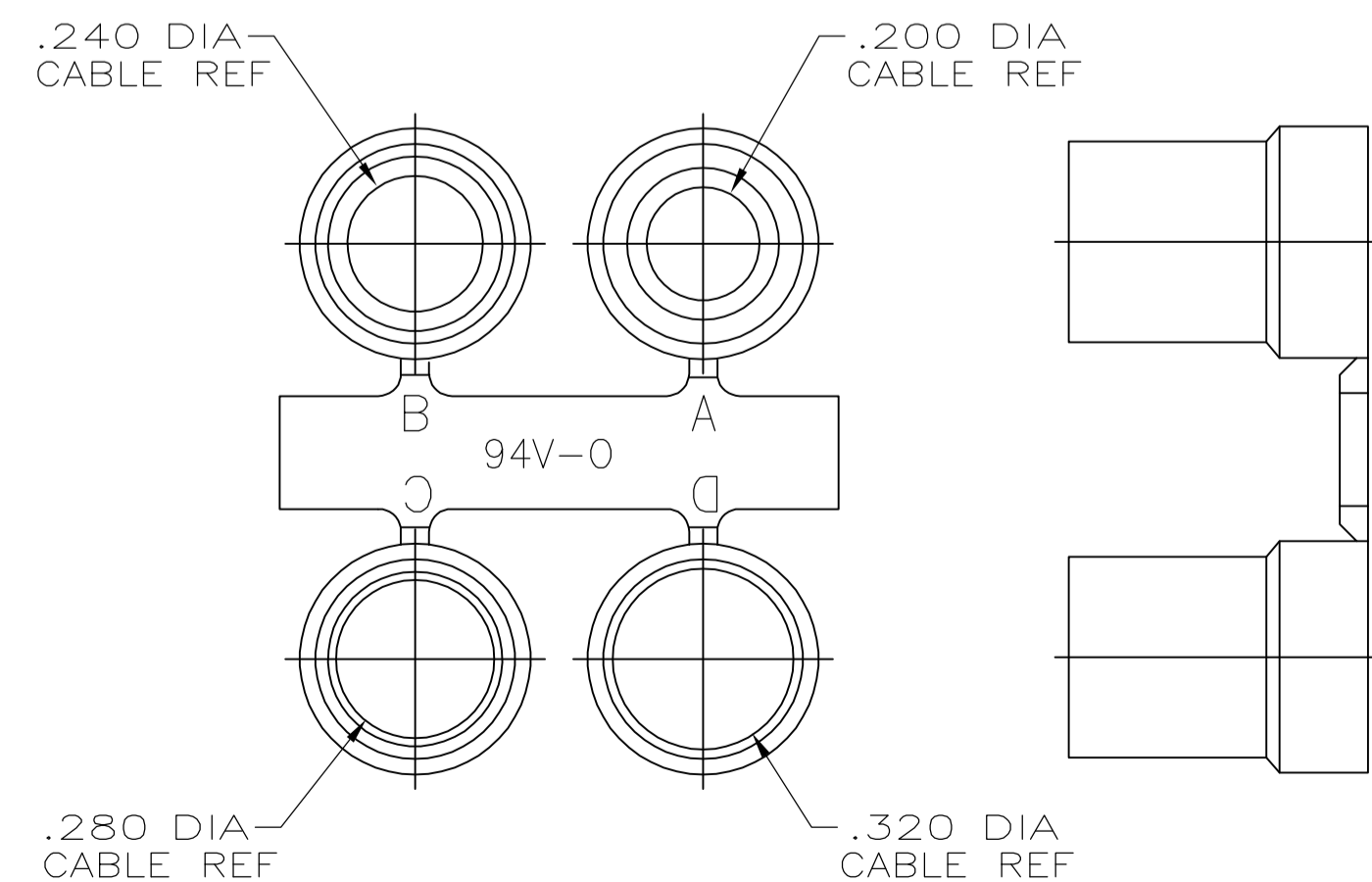
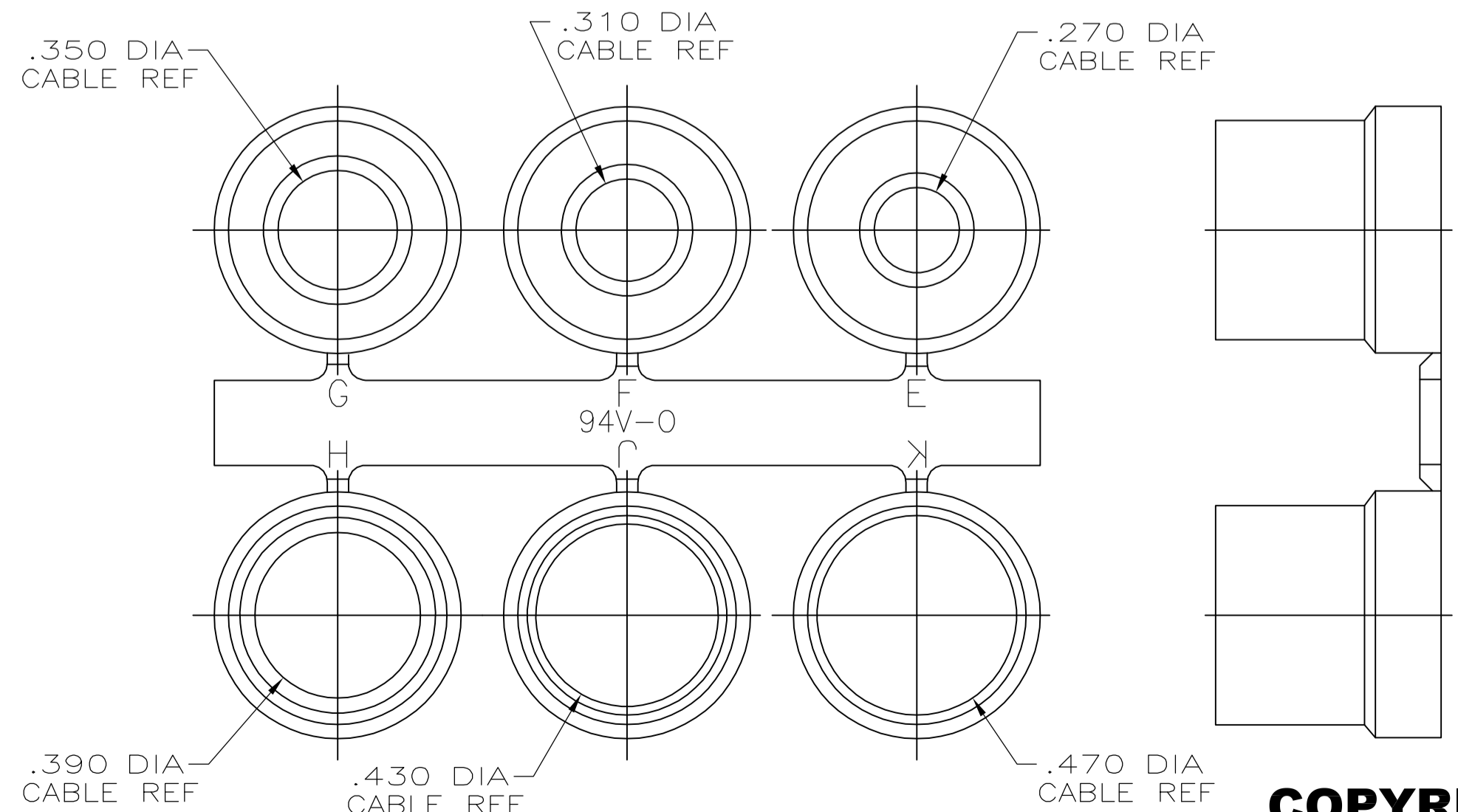


1. PARTS PACKAGED UNASSEMBLED AS A UNIT KIT.
2. CABLE CLAMP HALVES: ZINC ALLOY, FILLISTER HEAD SCREWS, HEX NUTS & MOUNTING SCREWS: STEEL
GROMMETS: FLEXIBLE PVC, UL 94V-0 RATED, COLOR: BLACK.
3. CABLE CLAMP HALVES: NICKEL OVER COPPER, FILLISTER HEAD SCREWS, HEX NUTS & MOUNTING SCREWS: ZINC PLATED .000200-.000400 THICK, CLEAR CHROMATE COATING.
4. OBSOLETE



GROMMET ASSORTMENT FOR SIZES 1 & 2 ONLY



GROMMET ASSORTMENT FOR SIZES 3, 4 & 5 ONLY

4	BULK PACK	.680	.620	2.090	1.920	1.852	3	5748676-9
	STANDARD	.900	.730	2.644	1.920	2.406	5	5748676-5
	STANDARD	.800	.620	2.738	1.920	2.500	4	5748676-4
	STANDARD	.680	.620	2.090	1.920	1.852	3	5748676-3
	STANDARD	.620	.620	1.545	1.910	1.312	2	5748676-2
	STANDARD	.550	.620	1.215	1.910	.984	1	5748676-1
	PACKAGING	E	D	C	B	A	SIZE	PART NO.

**COPYRIGHT 2005
 TYCO ELECTRONICS CORP
 ALL RIGHTS RESERVED**

THIS DRAWING IS A CONTROLLED DOCUMENT.

DIMENSIONS: INCHES	TOLERANCES UNLESS OTHERWISE SPECIFIED:	DIN D. HENNY 8-17-05		Tyco Electronics Corporation Harrisburg, PA 17105-3608
0 PLC ± .005	1 PLC ± .005	CHK C. ROHDE 8-17-05		NAME M. WALMSLEY 8-17-05
MATERIAL	FINISH	APVD	PRODUCT SPEC	RESTRICTED TO
		APPLICATION SPEC	SIZE	CAGE CODE
		WEIGHT	DRAWING NO	DRAWING NO
		CUSTOMER DRAWING	A1 00779	5748676

SCALE 1:1 SHEET 1 OF 1 REV A