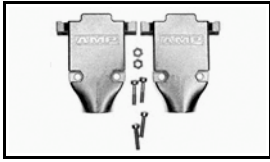


5748676-4 Product Details

[Share](#) [Print](#) [Email](#)



5748676-4

TE Internal Number: 5748676-4

Active

[View 3D PDF](#)

Cable Clamps

- Always EU RoHS/ELV Compliant
(Statement of Compliance)

Product Highlights:

- Backshell/Cable Clamp
- Cable Clamp Type = Two-Piece RFI/EMI Shield
- 180° Cable Exit Angle
- Cable Insulation Diameter = 6.48 - 11.94 mm
- 37 Positions

[View all Features](#)

Quick Links

- ▶ [Pricing & Availability](#)
- ▶ [Search for Tooling](#)
- ▶ [Product Feature Selector](#)
- ▶ [Contact Us About This Product](#)

[Add to My Part List](#)

[Request Sample](#)

[Find Similar Products](#)

[Buy Product](#)

Documentation & Additional Information

Product Drawings:

- [KIT, CABLE CLAMP, 180 DEG EXIT, W/GROMMETS, AMPLIMIT...](#) (PDF, English)

Catalog Pages/Data Sheets:

- [AMPLIMITE Subminiature D Connectors - Cable Connectors](#) (PDF, English)

Product Specifications:

- [AMPLIMITE Shielded Cable Clamp Assemblies and Access...](#) (PDF, English)

Application Specifications:

- None Available

Instruction Sheets:

- [AMPLIMITE Connector HD-20 Shielded Cable Clamp Kits](#) (PDF, English)

CAD Files: (CAD Format & Compression Information)

- [2D Drawing](#) (DXF, Version A)
- [3D Model](#) (IGES, Version A)
- [3D Model](#) (STEP, Version A)

[List all Documents](#)

Additional Information:

- [Product Line Information](#)

Related Products:

- [Tooling](#)

Product Features (Please use the Product Drawing for all design activity)

Product Type Features:

- [Product Type](#) = Backshell/Cable Clamp
- [Cable Clamp Type](#) = Two-Piece RFI/EMI Shield
- [Shell Size](#) = 4
- [Grommets](#) = With
- [Thread Size](#) = 4-40

Mechanical Attachment:

- Long Turnable Jackscrew Part No. = 747784-3

Electrical Characteristics:

- [Shielded](#) = Yes

Dimensions:

Configuration Features:

- [Number of Positions](#) = 37
- [Number of Grommets Per Set](#) = 6

Industry Standards:

- [RoHS/ELV Compliance](#) = RoHS compliant, ELV compliant
- [Lead Free Solder Processes](#) = Not relevant for lead free process
- [RoHS/ELV Compliance History](#) = Always was RoHS compliant

Packaging Features:

- [Packaging Method](#) = Individual Kit

- [Cable Insulation Diameter \(mm \[in\]\) = 6.48 – 11.94 \[0.255 – 0.470\]](#)

Body Features:

- [Cable Exit Angle = 180°](#)
- [Cable Clamp Material = Die Cast](#)
- [Shield Plating = Bright Nickel over Copper](#)

Other:

- [Brand = AMP](#)
- [Comment = Shielded cable clamps will not accept connector housings with clinch nuts.; All parts are packaged unassembled.; Jackscrews must be purchased separately.](#)

Corporate Information

- [About TE](#)
- [Investors](#)
- [News Room](#)
- [Supplier Portal](#)
- [Careers](#)
- [Terms & Conditions](#)
- [Privacy Policy](#)

Quick Links

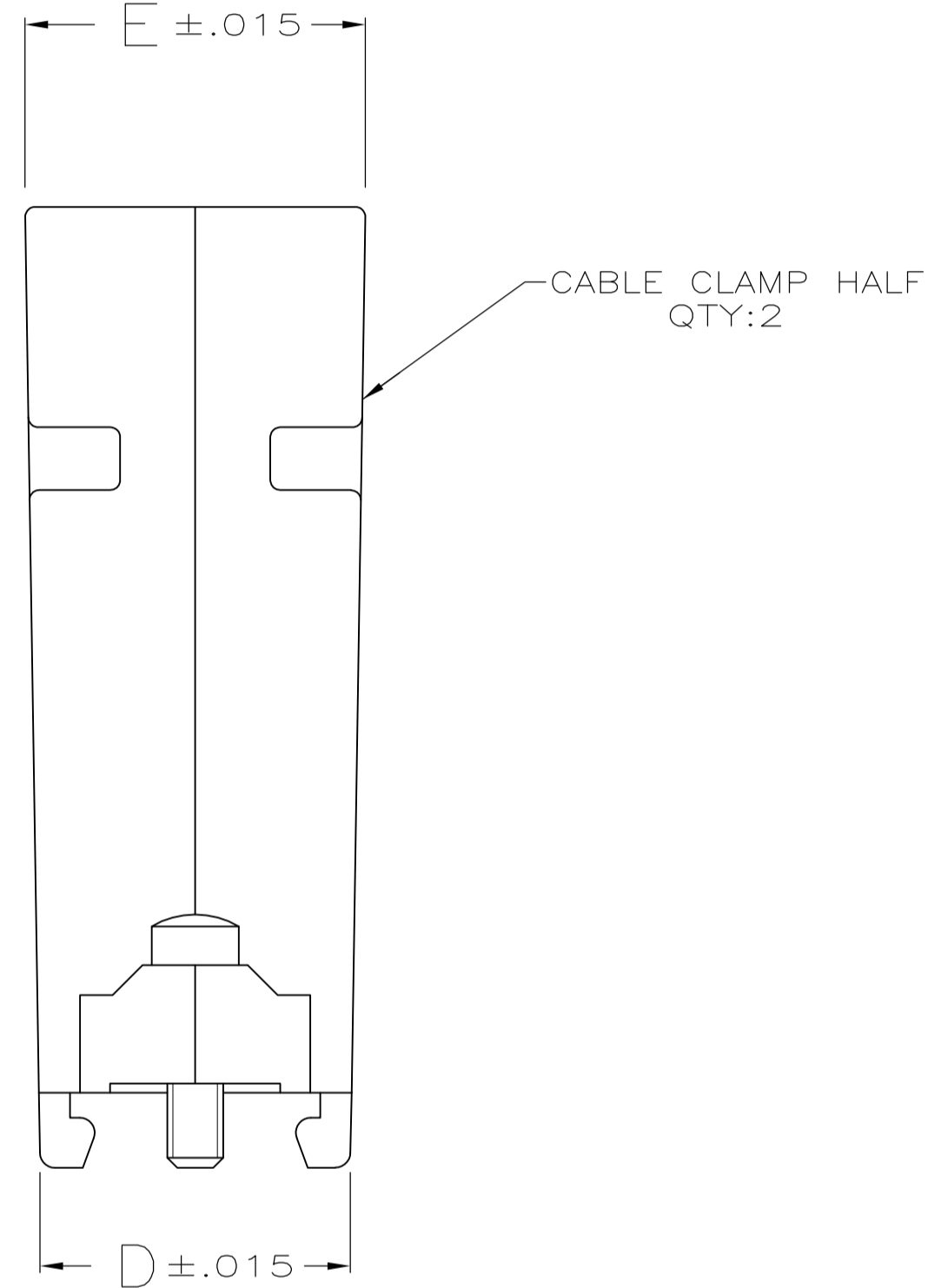
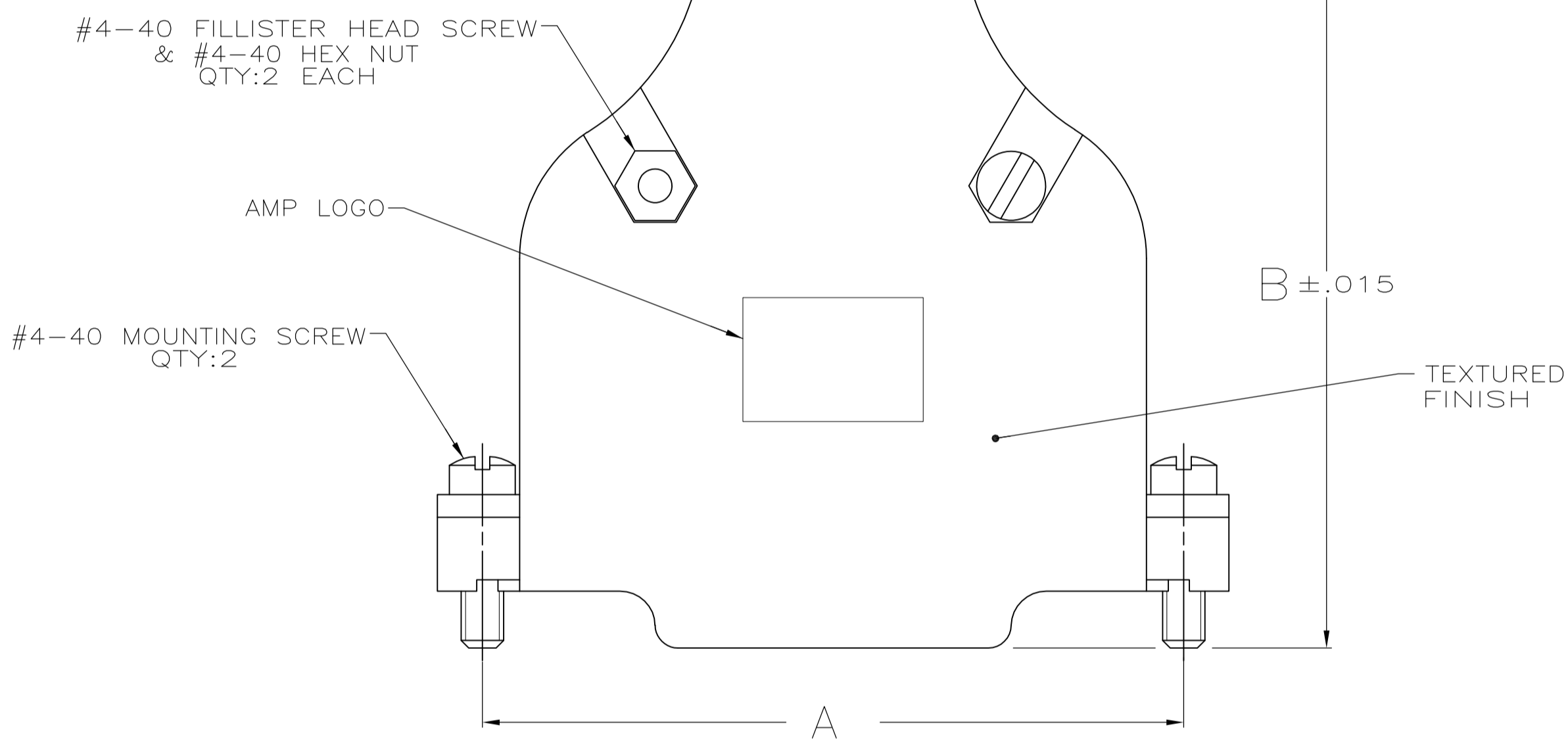
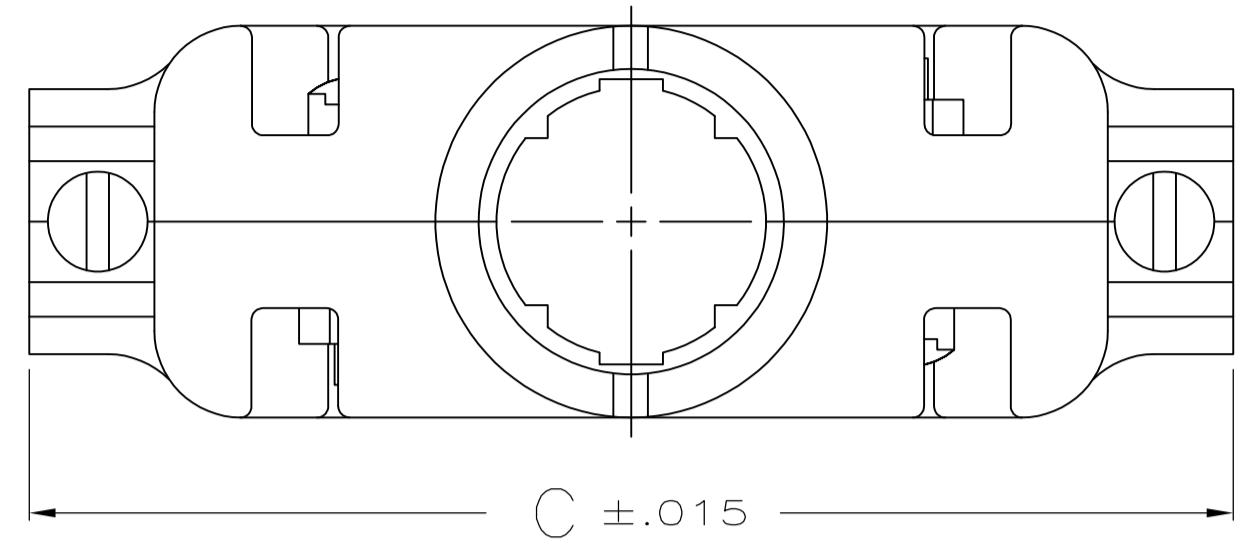
- [Distributor Inventory](#)
- [Product Cross Reference](#)
- [Documents & Drawings](#)
- [Product Compliance Support Center](#)
- [Site Map](#)

Customer Support

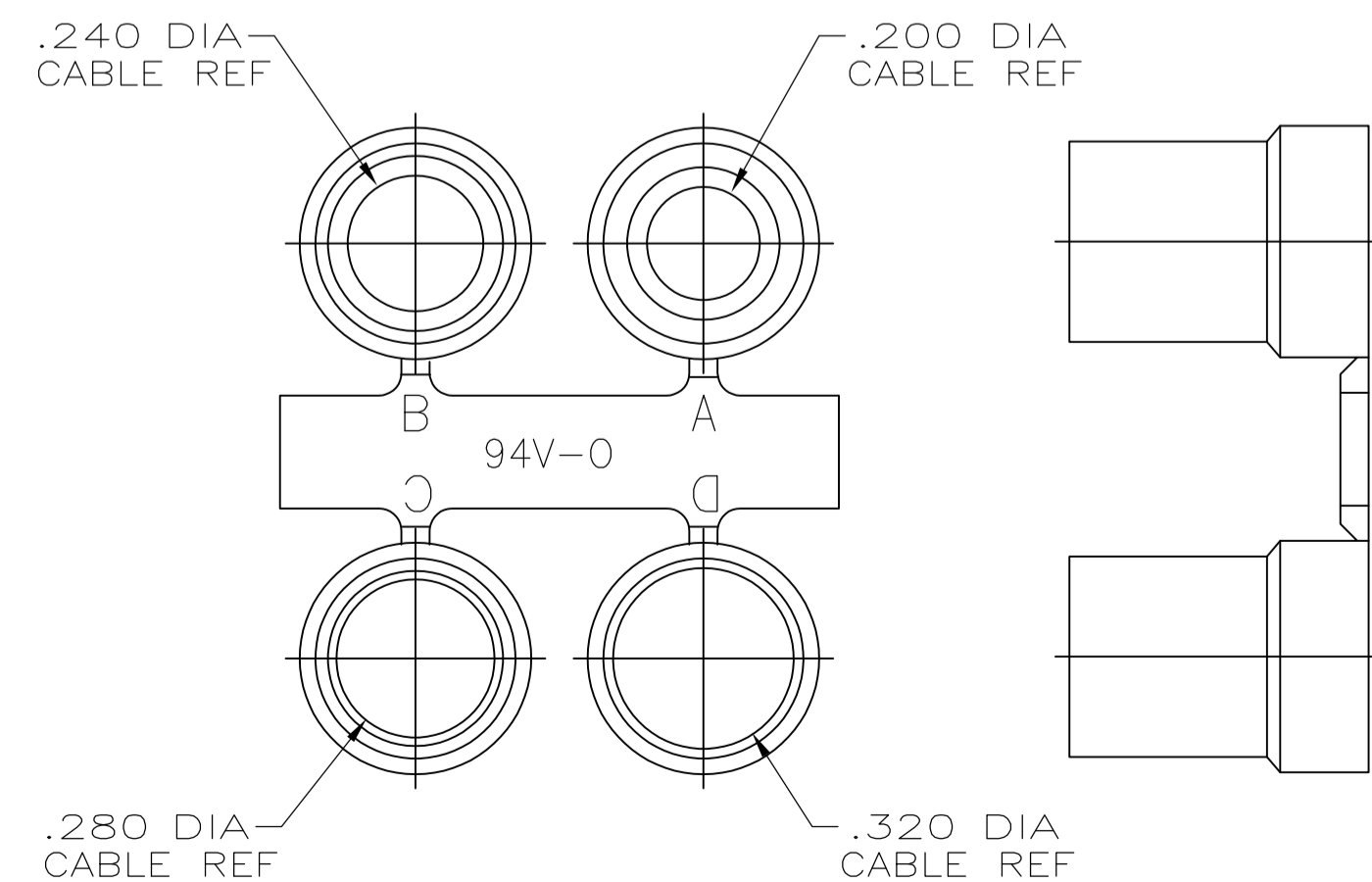
- [Email or Chat With Us](#)
- [Find a Phone Number](#)
- [Knowledge Base](#)
- [Manage Your Account](#)

Keep Me Informed

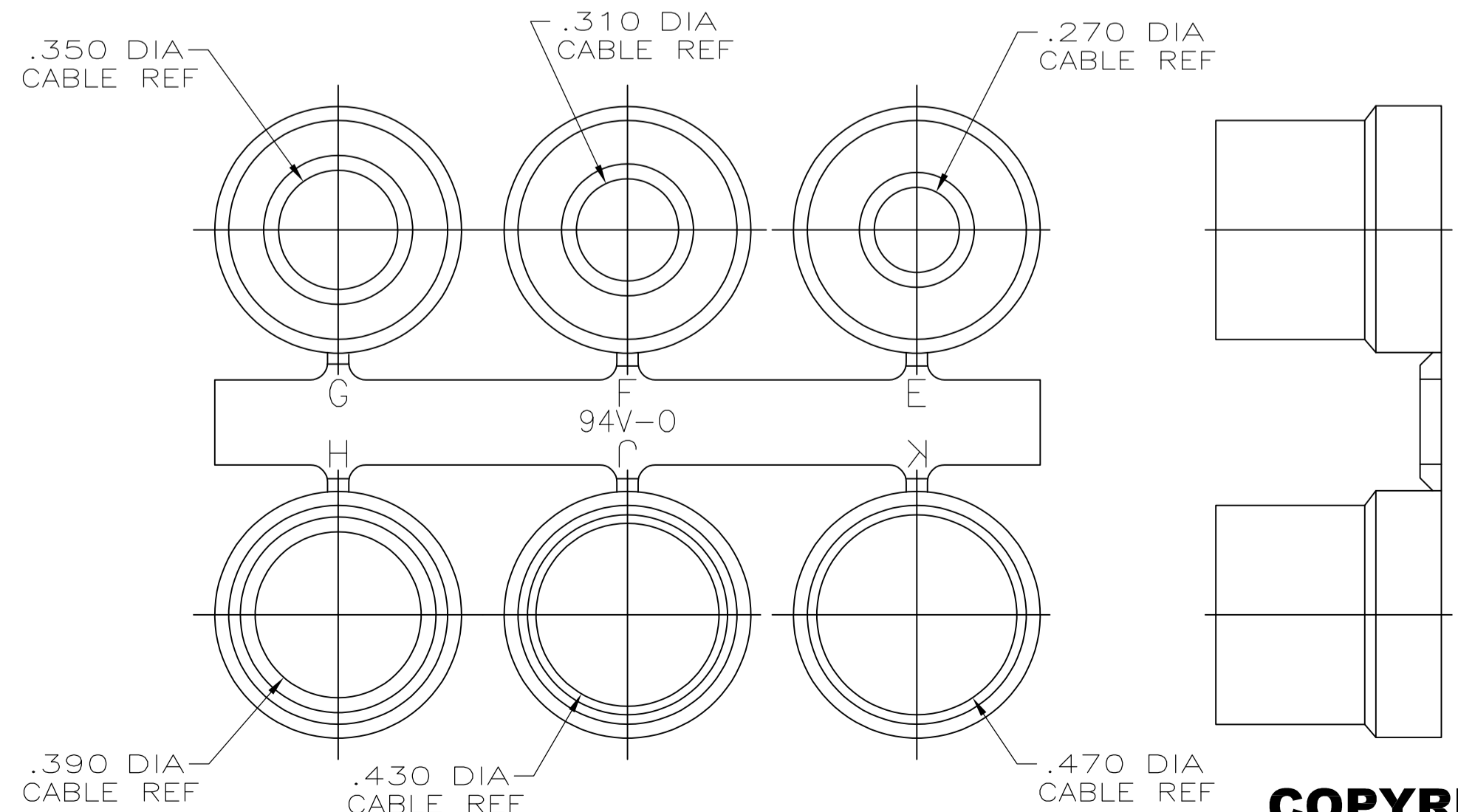




1. PARTS PACKAGED UNASSEMBLED AS A UNIT KIT.
2. CABLE CLAMP HALVES: ZINC ALLOY, FILLISTER HEAD SCREWS, HEX NUTS & MOUNTING SCREWS: STEEL
GROMMETS: FLEXIBLE PVC, UL 94V-0 RATED, COLOR: BLACK.
3. CABLE CLAMP HALVES: NICKEL OVER COPPER, FILLISTER HEAD SCREWS, HEX NUTS & MOUNTING SCREWS: ZINC PLATED .000200-.000400 THICK, CLEAR CHROMATE COATING.
4. OBSOLETE



GROMMET ASSORTMENT FOR SIZES 1 & 2 ONLY



GROMMET ASSORTMENT FOR SIZES 3, 4 & 5 ONLY

4	BULK PACK	.680	.620	2.090	1.920	1.852	3	5748676-9
	STANDARD	.900	.730	2.644	1.920	2.406	5	5748676-5
	STANDARD	.800	.620	2.738	1.920	2.500	4	5748676-4
	STANDARD	.680	.620	2.090	1.920	1.852	3	5748676-3
	STANDARD	.620	.620	1.545	1.910	1.312	2	5748676-2
	STANDARD	.550	.620	1.215	1.910	.984	1	5748676-1
	PACKAGING	E	D	C	B	A	SIZE	PART NO.

**COPYRIGHT 2005
TE CONNECTIVITY CORP
ALL RIGHTS RESERVED**

THIS DRAWING IS A CONTROLLED DOCUMENT.

DIMENSIONS: INCHES	TOLERANCES UNLESS OTHERWISE SPECIFIED:	DIN D. HENNY 8-17-05	APPROVED: M. WALMSLEY 8-17-05	NAME: KIT, CABLE CLAMP, 180 DEG EXIT, W/GROMMETS, AMPLIMITE SERIES
0. PLC ± .005	1. PLC ± .005	2. PLC ± .005	3. PLC ± .005	4. PLC ± .005
ANGLES ± .005				
MATERIAL	FINISH	WEIGHT	SIZE: A1	CAGE CODE: 00779
			DRAWING NO: C=5748676	RESTRICTED TO: -
			CUSTOMER DRAWING	SCALE: 1:1 SHEET: 1 OF 1 REV: A1

STE TE Connectivity