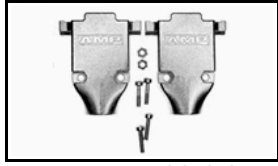


5748678-2 Product Details



5748678-2

TE Internal Number: 5748678-2

Active

Cable Clamps

Always EU RoHS/ELV Compliant
(Statement of Compliance)

Product Highlights:

- Backshell/Cable Clamp
- Cable Clamp Type = Two-Piece RFI/EMI Shield
- 180° Cable Exit Angle
- Cable Insulation Diameter = 4.70 - 8.13 mm
- Shell Size = 2

Documentation & Additional Information

Product Drawings:

- [KIT, CABLE CLAMP, 180 DEGREES EXIT, UNPLATED, BLACK](#), (PDF, English)

Catalog Pages/Data Sheets:

- [AMPLIMITE Subminiature D Connectors - Cable Connectors](#) (PDF, English)

Product Specifications:

- None Available

Application Specifications:

- None Available

Instruction Sheets:

- [AMPLIMITE Connector HD-20 Shielded Cable Clamp Kits](#) (PDF, English)

CAD Files: (CAD Format & Compression Information)

- [2D Drawing](#) (DXF, Version 0)
- [3D Model](#) (IGES, Version 0)
- [3D Model](#) (STEP, Version 0)

Additional Information:

- [Product Line Information](#)

Related Products:

- [Tooling](#)

Product Features (Please use the Product Drawing for all design activity)

Product Type Features:

- [Product Type](#) = Backshell/Cable Clamp
- [Cable Clamp Type](#) = Two-Piece RFI/EMI Shield
- [Shell Size](#) = 2
- [Grommets](#) = With
- [Thread Size](#) = 4-40

Electrical Characteristics:

- [Shielded](#) = No

Dimensions:

- [Cable Insulation Diameter \(mm \[in\]\)](#) = 4.70 - 8.13 [0.185 - 0.320]

Body Features:

- [Cable Exit Angle](#) = 180°
- [Cable Clamp Material](#) = ABS
- [Shield Plating](#) = None

Configuration Features:

- [Number of Grommets Per Set](#) = 4

Industry Standards:

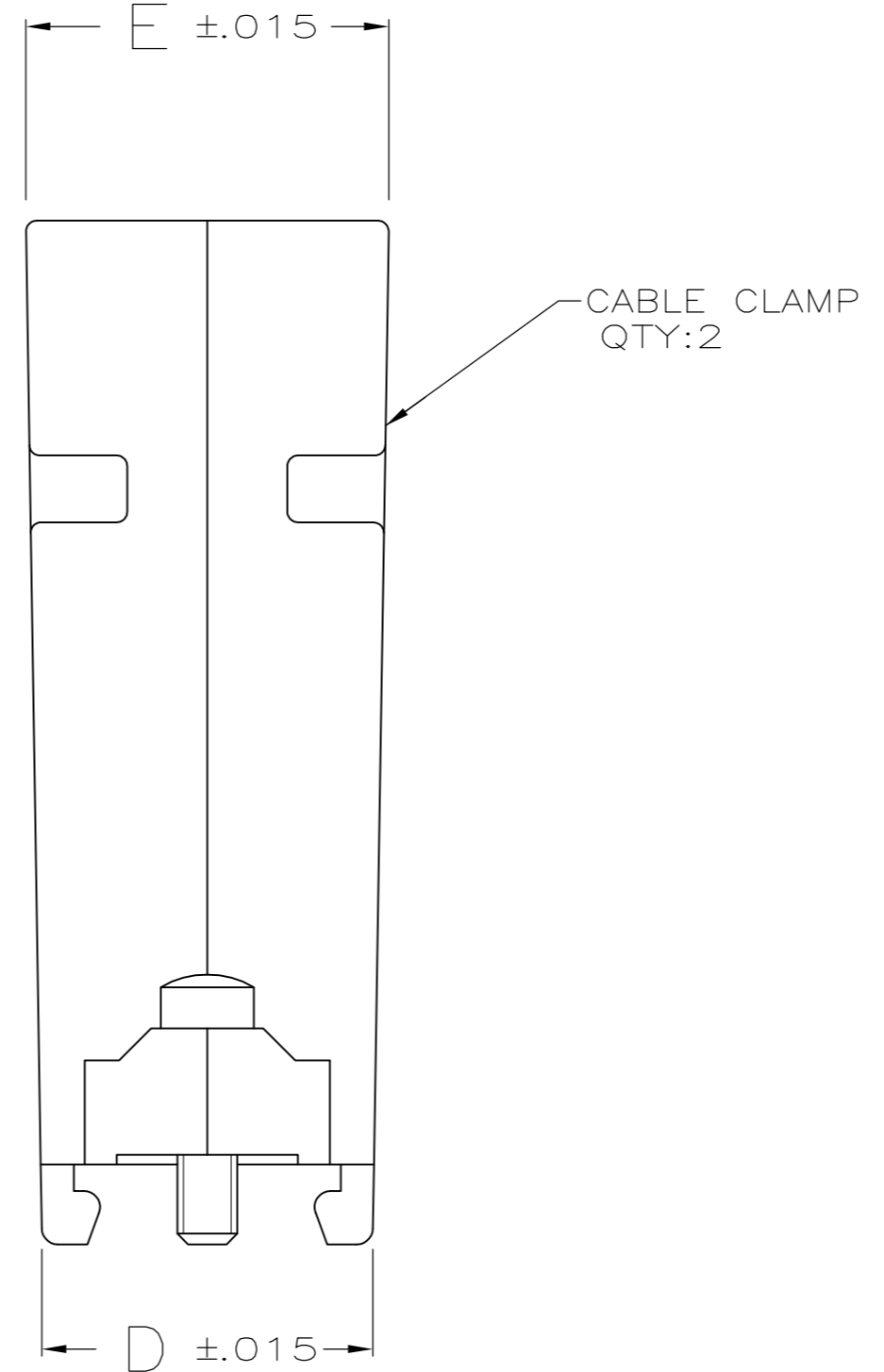
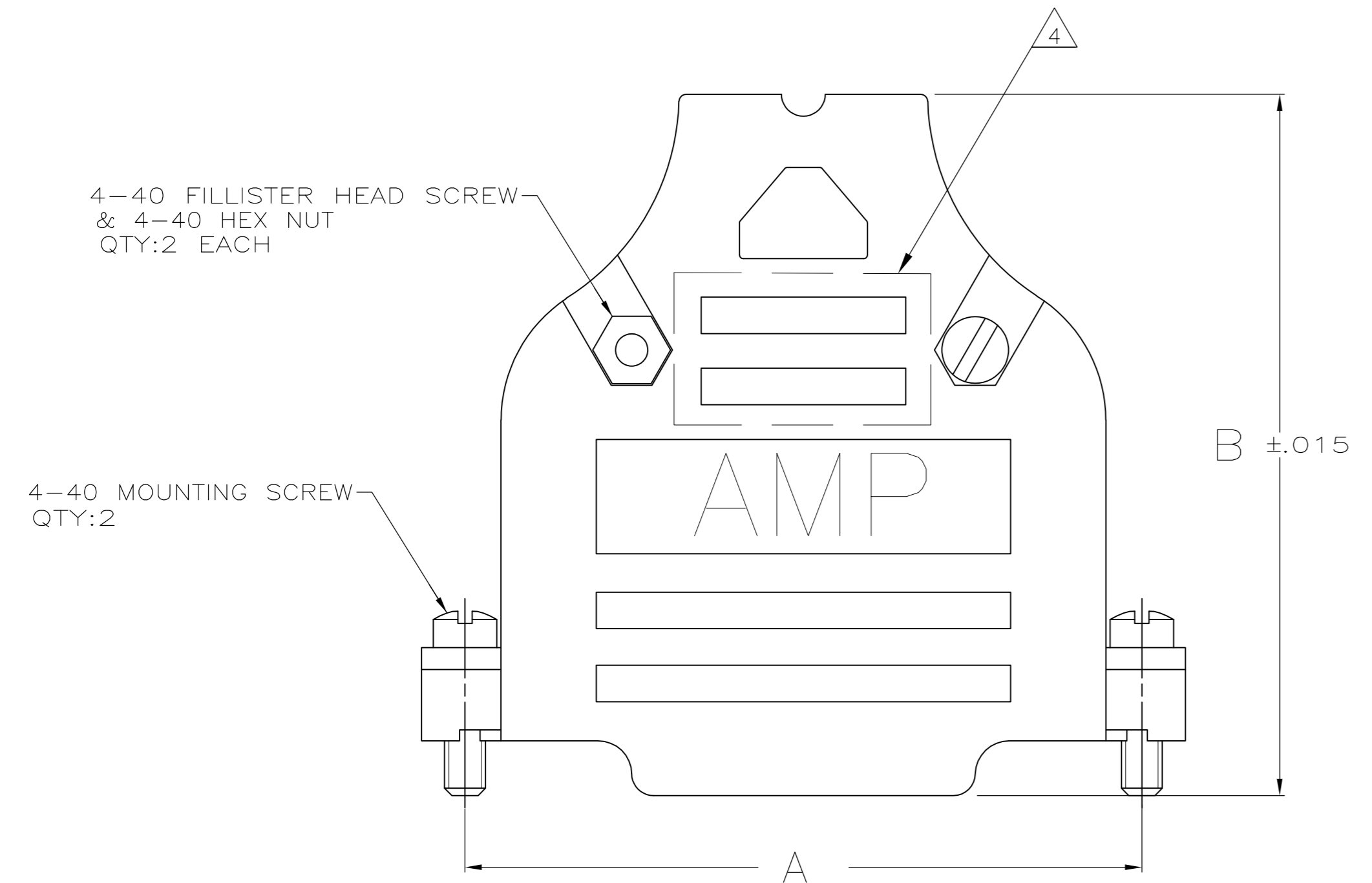
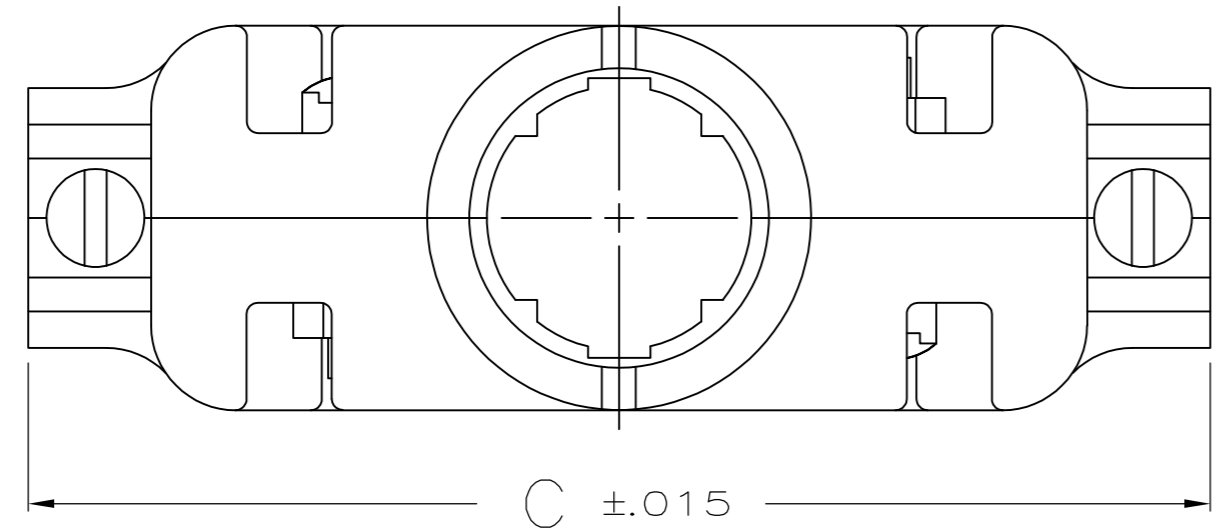
- [RoHS/ELV Compliance](#) = RoHS compliant, ELV compliant
- [Lead Free Solder Processes](#) = Not relevant for lead free process
- [RoHS/ELV Compliance History](#) = Always was RoHS compliant

Packaging Features:

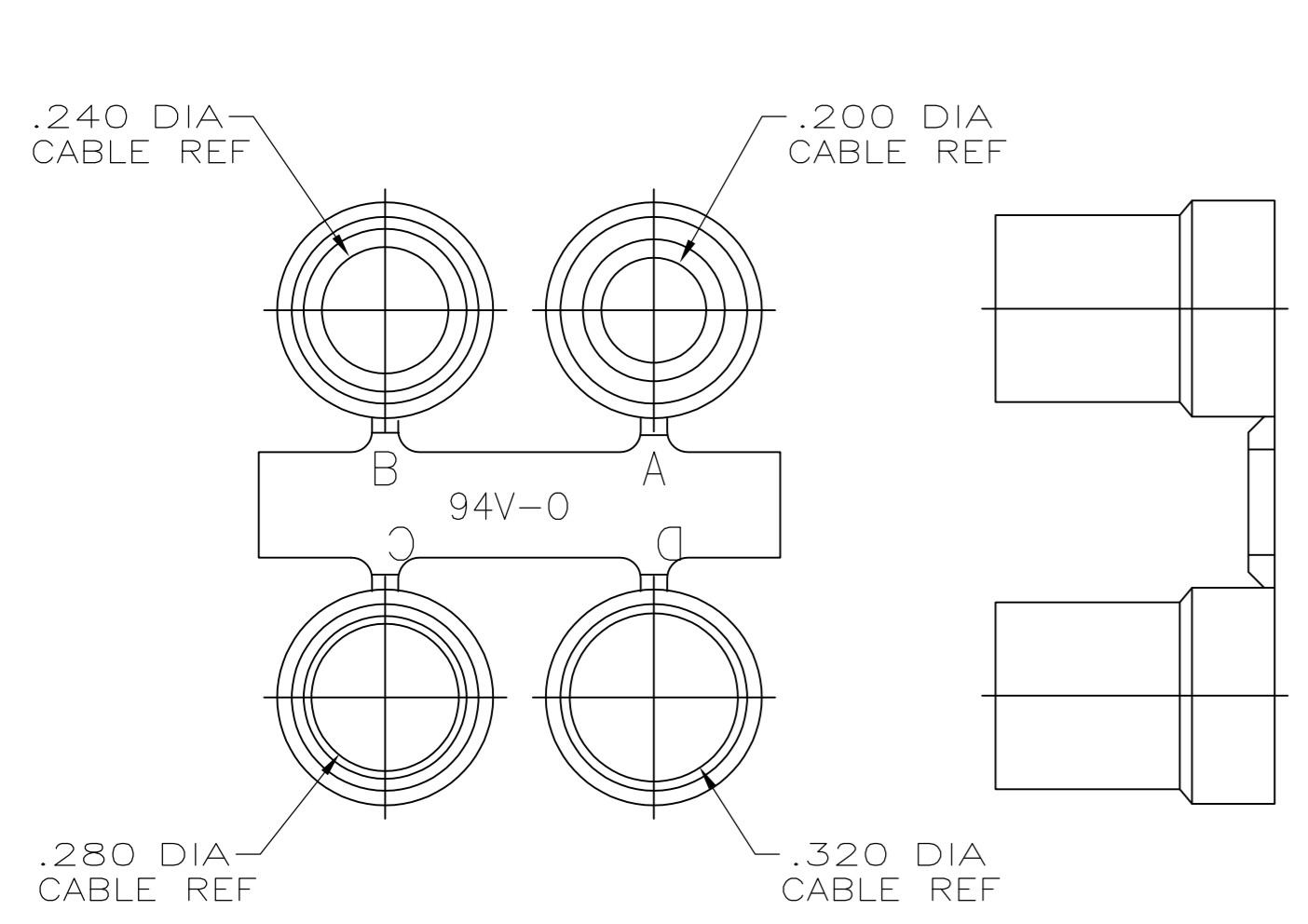
- [Packaging Method](#) = Individual Kit

Other:

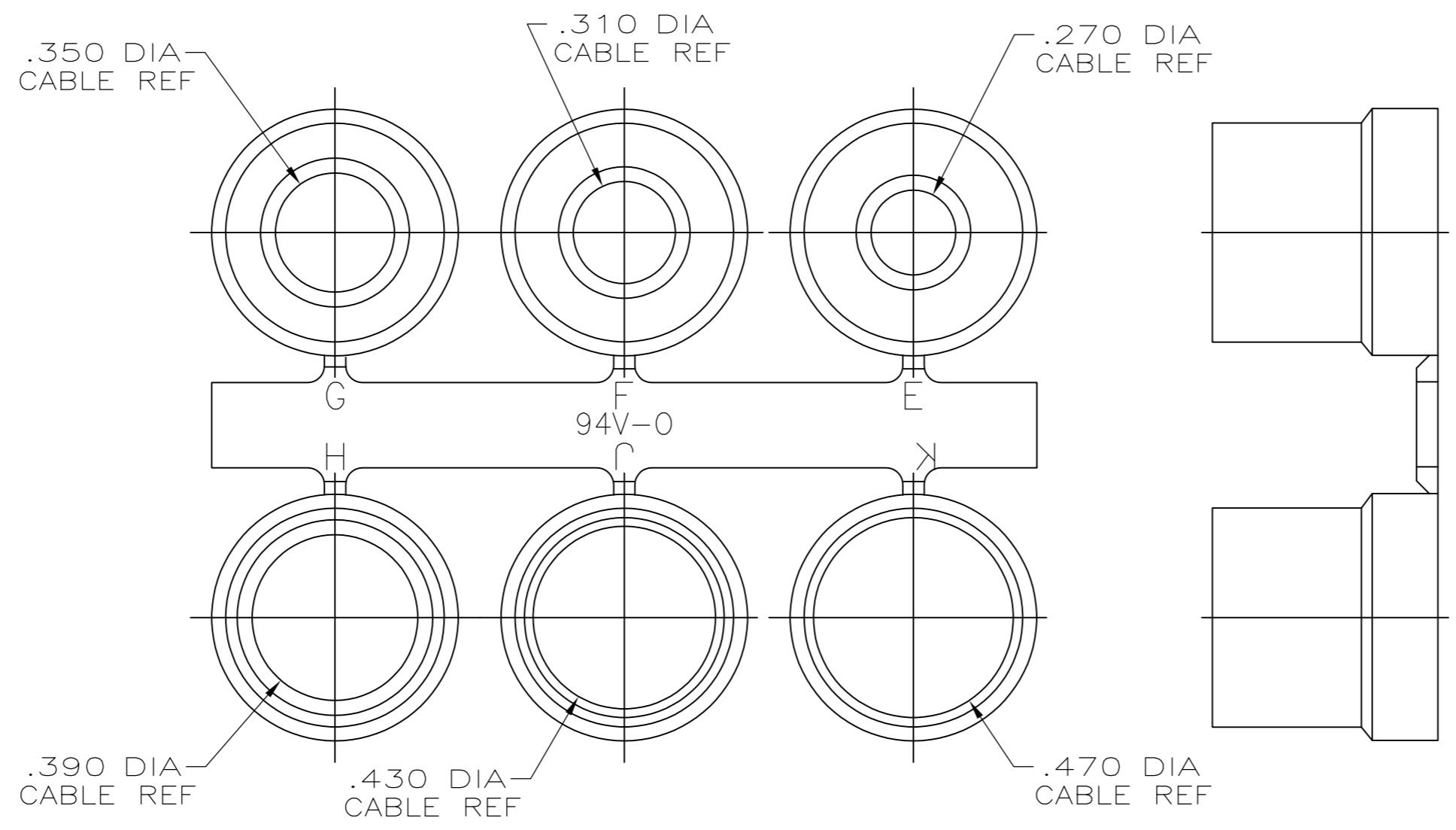
- [Brand](#) = AMP
- [Comment](#) = Jackscrews must be purchased separately.



- PARTS PACKAGED UNASSEMBLED AS A UNIT KIT.
- △ CABLE CLAMPS: ABS COMPOUND, COLOR BLACK.
FILISTER HEAD SCREWS, HEX NUTS & MOUNTING SCREWS: STEEL.
GROMMETS: FLEXIBLE PVC, UL 94V-0 RATED, COLOR BLACK.
- △ CABLE CLAMPS: UNPLATED.
FILISTER HEAD SCREWS, HEX NUTS & MOUNTING SCREWS: ZINC PLATED
CLEAR CHROMATE COATED.
- △ SIZE 3 CONFIGURATION SHOWN. NUMBER AND SIZE OF SLOTS
IN THIS AREA VARIES BY CABLE CLAMP SIZE.



GROMMET ASSORTMENT
TYPE 1
SEE TABLE



GROMMET ASSORTMENT
TYPE 2
SEE TABLE

TYPE 2	.900	.730	2.644	1.920	2.406	5	5748678-5
TYPE 2	.800	.620	2.738	1.920	2.500	4	5748678-4
TYPE 2	.680	.640	2.090	1.920	1.852	3	5748678-3
TYPE 1	.620	.620	1.545	1.910	1.312	2	5748678-2
TYPE 1	.570	.630	1.215	1.910	.984	1	5748678-1
GROMMET ASSORTMENT	E	D	C	B	A	SIZE	PART NO

**COPYRIGHT 2005
TE CONNECTIVITY CORP
ALL RIGHTS RESERVED**

THIS DRAWING IS A CONTROLLED DOCUMENT.		DWN R. RICHARDSON 15SEP05	TE Connectivity
DIMENSIONS: INCHES		CHK C. ROHDE 15SEP05	
TOLERANCES UNLESS OTHERWISE SPECIFIED:		APVD M. WALMSLEY 15SEP05	NAME KIT, CABLE CLAMP, 180 DEGREES EXIT, UNPLATED, BLACK.
0 PLC ± - 1 PLC ± - 2 PLC ± - 3 PLC ± .005 4 PLC ± - ANGLES ± -		PRODUCT SPEC	RESTRICTED TO
MATERIAL		APPLICATION SPEC	SIZE A1
FINISH		WEIGHT	CAGE CODE 00779
CUSTOMER DRAWING		SCALE 3:1	DRAWING NO 5748678
		SHEET 1 OF 1	REV A1