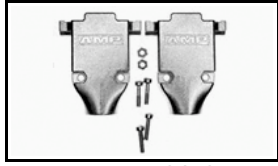


## 5748678-5 Product Details




5748678-5

TE Internal Number: 5748678-5

 Active

### Cable Clamps

 Always EU RoHS/ELV Compliant  
(Statement of Compliance)

### Product Highlights:

- Backshell/Cable Clamp
- Cable Clamp Type = Two-Piece RFI/EMI Shield
- 180° Cable Exit Angle
- Cable Insulation Diameter = 6.48 - 11.94 mm
- Shell Size = 5

### Documentation & Additional Information

#### Product Drawings:

- [KIT, CABLE CLAMP, 180 DEGREES EXIT, UNPLATED, BLACK](#), (PDF, English)

#### Catalog Pages/Data Sheets:

- [AMPLIMITE Subminiature D Connectors - Cable Connectors](#) (PDF, English)

#### Product Specifications:

- None Available

#### Application Specifications:

- None Available

#### Instruction Sheets:

- [AMPLIMITE Connector HD-20 Shielded Cable Clamp Kits](#) (PDF, English)

#### CAD Files: (CAD Format & Compression Information)

- [2D Drawing](#) (DXF, Version 0)
- [3D Model](#) (IGES, Version 0)
- [3D Model](#) (STEP, Version 0)

#### Additional Information:

- [Product Line Information](#)

#### Related Products:

- [Tooling](#)

### Product Features (Please use the Product Drawing for all design activity)

#### Product Type Features:

- [Product Type](#) = Backshell/Cable Clamp
- [Cable Clamp Type](#) = Two-Piece RFI/EMI Shield
- [Shell Size](#) = 5
- [Grommets](#) = With
- [Thread Size](#) = 4-40

#### Electrical Characteristics:

- [Shielded](#) = No

#### Dimensions:

- [Cable Insulation Diameter \(mm \[in\]\)](#) = 6.48 - 11.94 [0.255 - 0.470]

#### Body Features:

- [Cable Exit Angle](#) = 180°
- [Cable Clamp Material](#) = ABS
- [Shield Plating](#) = None

#### Configuration Features:

- [Number of Grommets Per Set](#) = 6

#### Industry Standards:

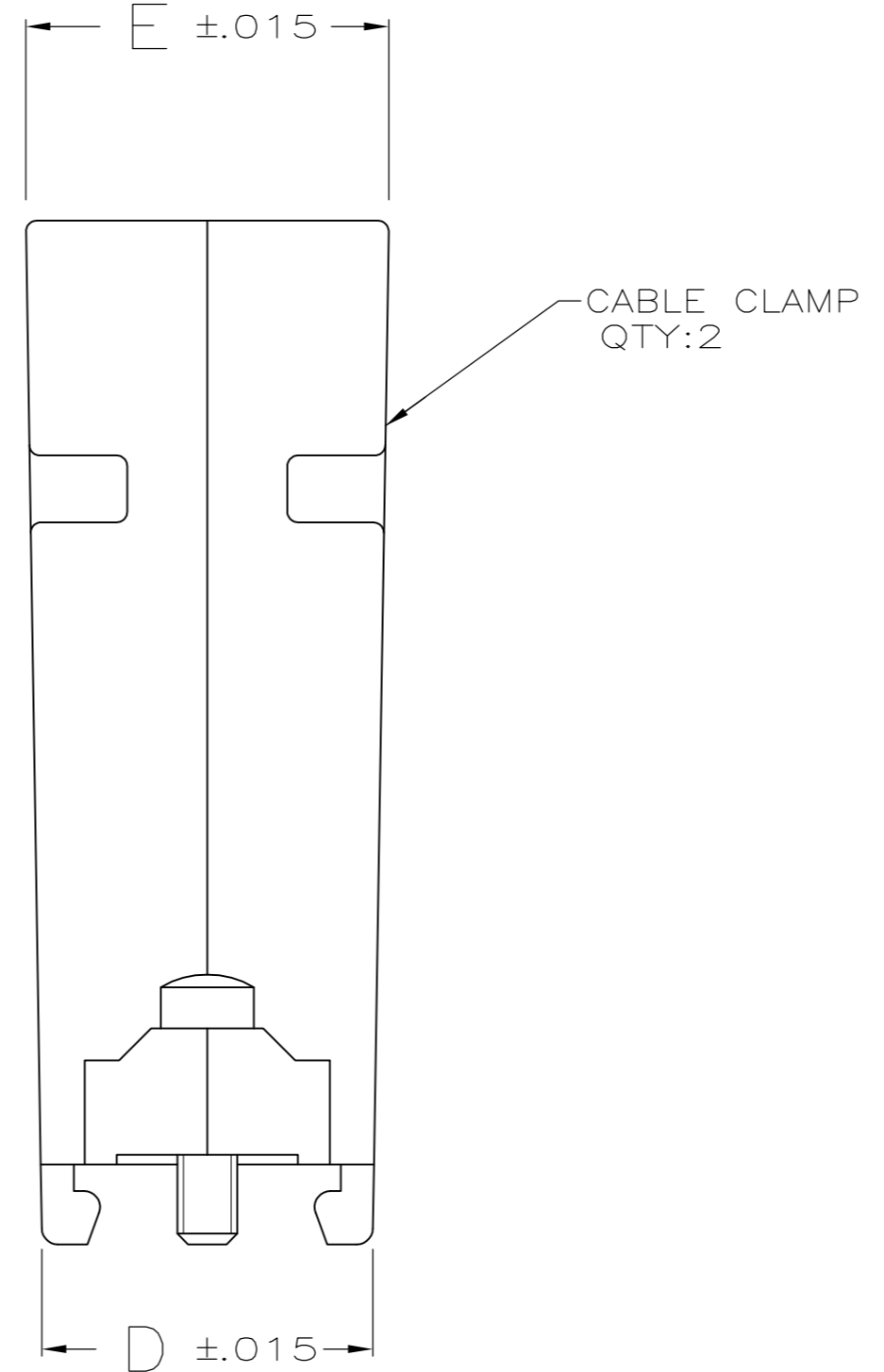
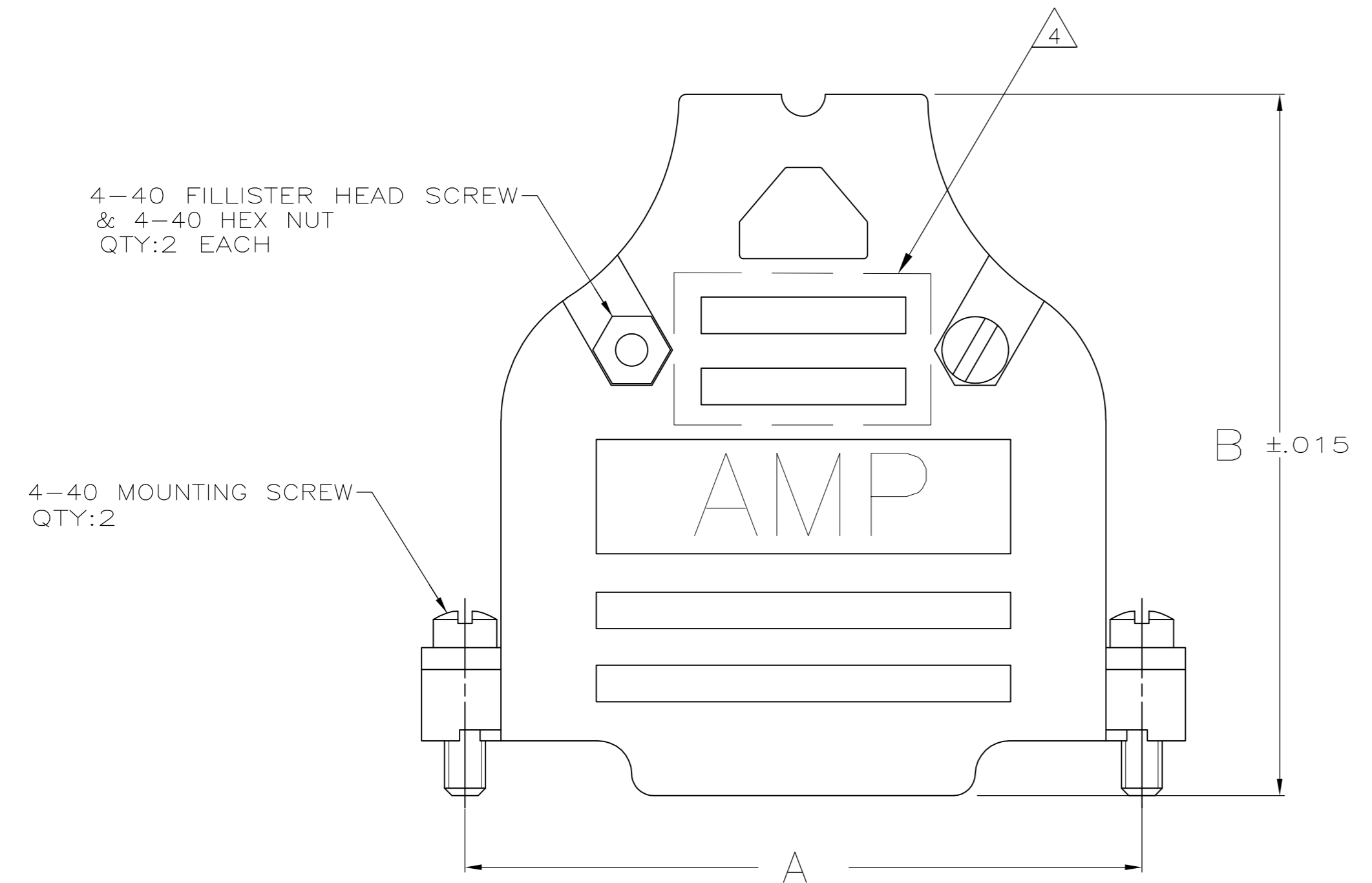
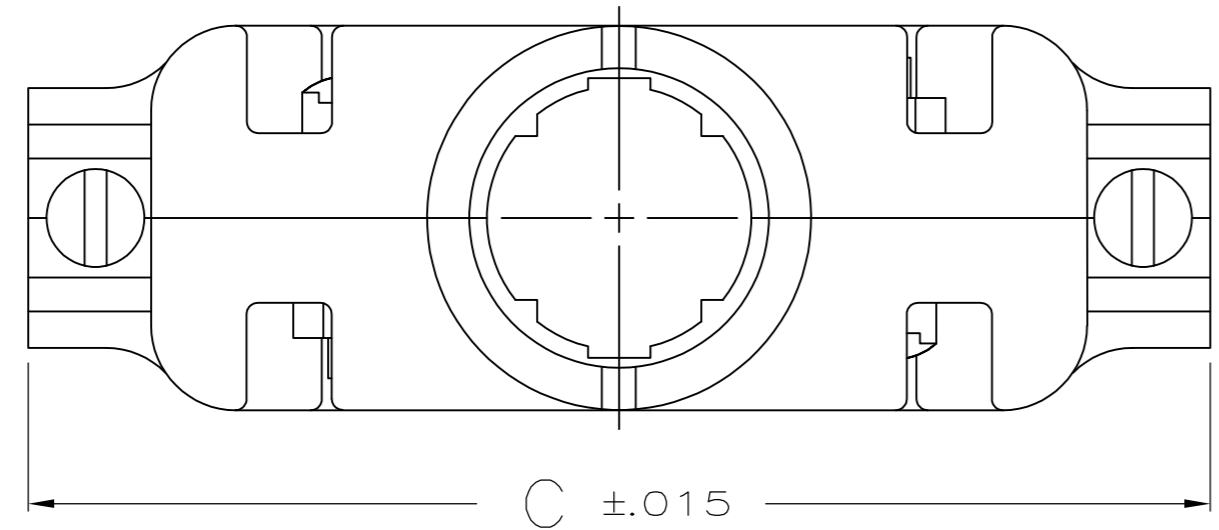
- [RoHS/ELV Compliance](#) = RoHS compliant, ELV compliant
- [Lead Free Solder Processes](#) = Not relevant for lead free process
- [RoHS/ELV Compliance History](#) = Always was RoHS compliant

#### Packaging Features:

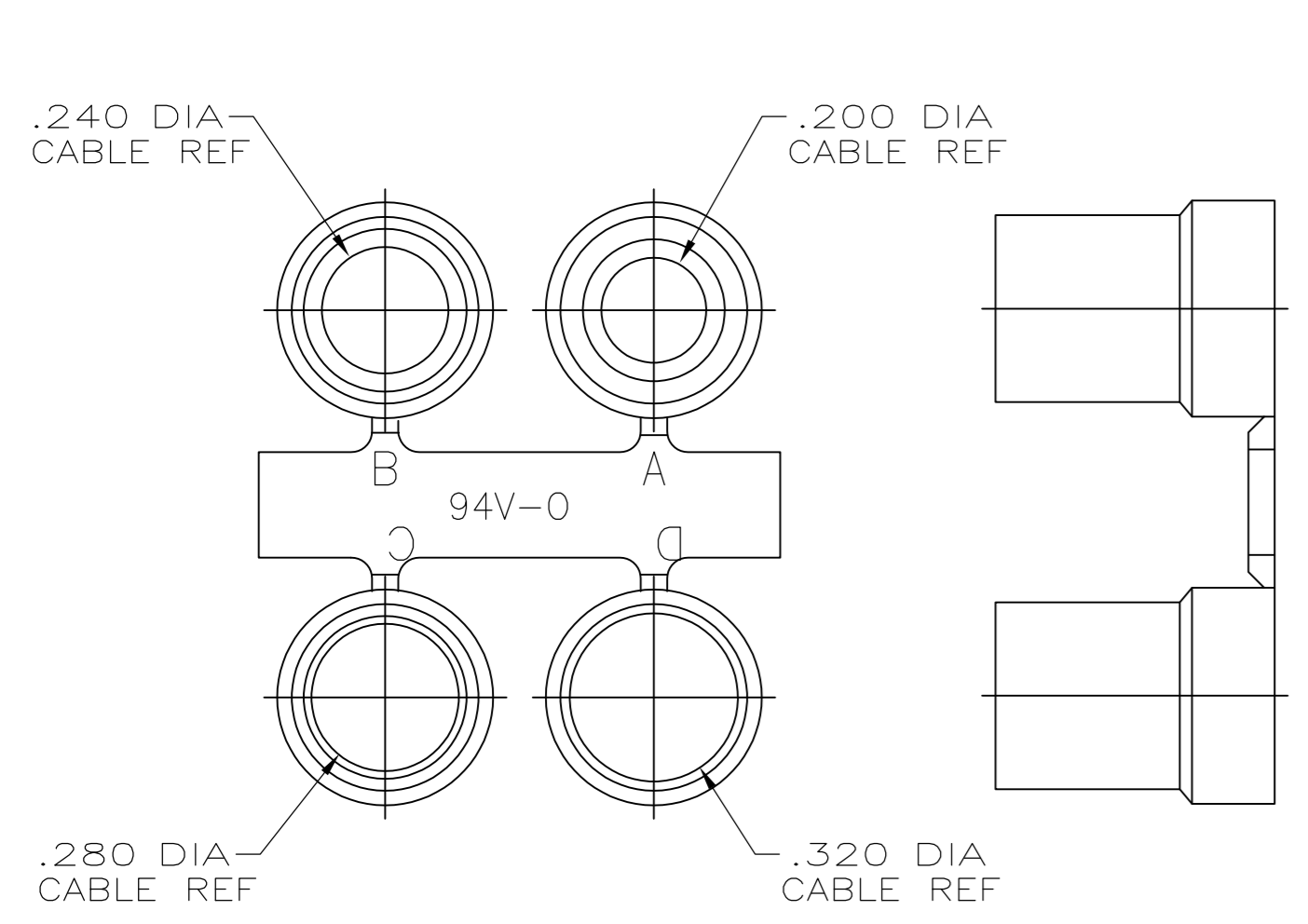
- [Packaging Method](#) = Individual Kit

#### Other:

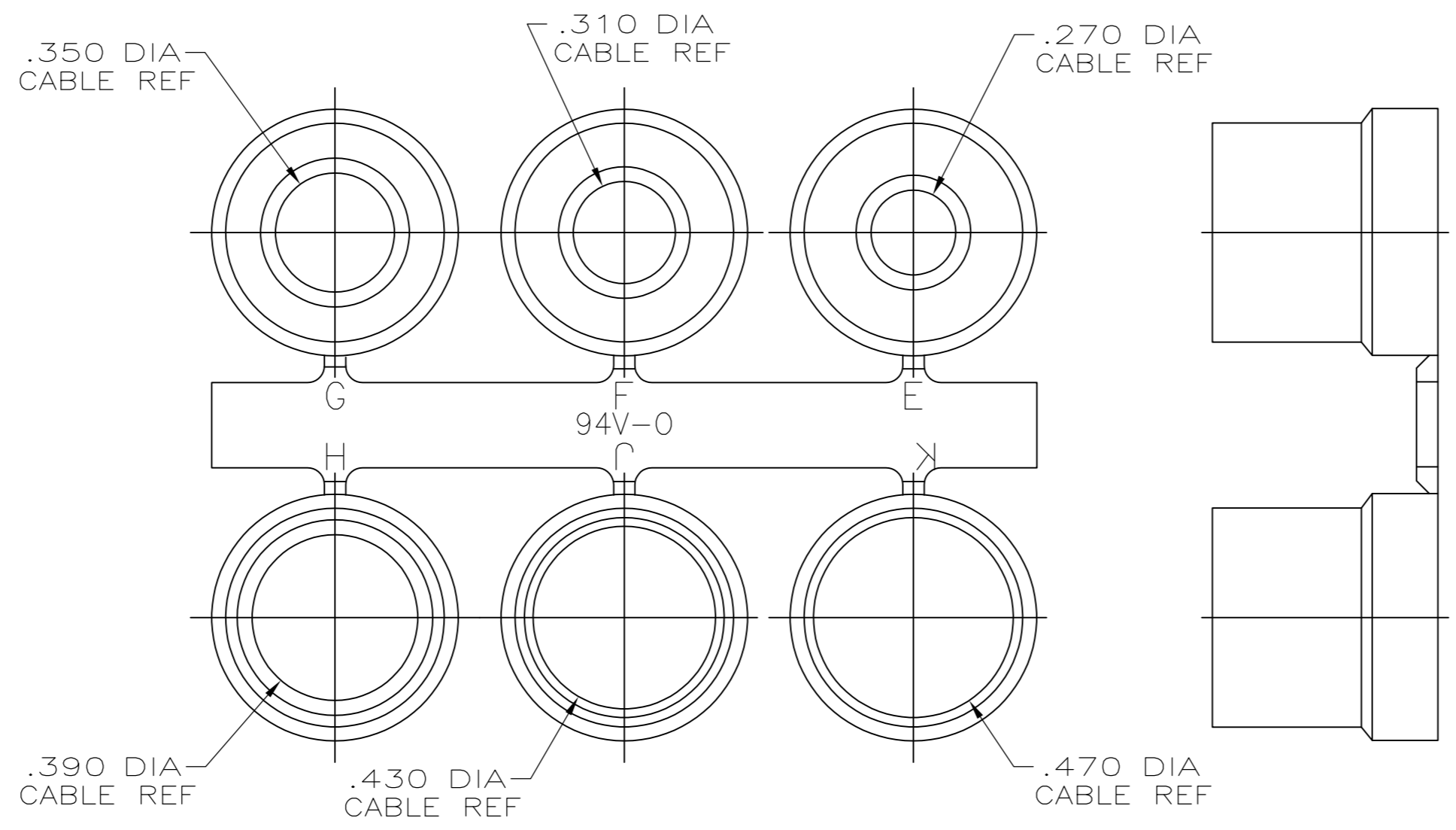
- [Brand](#) = AMP
- [Comment](#) = Jackscrews must be purchased separately.



- PARTS PACKAGED UNASSEMBLED AS A UNIT KIT.
- CABLE CLAMPS: ABS COMPOUND, COLOR BLACK.  
FILLISTER HEAD SCREWS, HEX NUTS & MOUNTING SCREWS: STEEL.  
GROMMETS: FLEXIBLE PVC, UL 94V-0 RATED, COLOR BLACK.
- CABLE CLAMPS: UNPLATED.  
FILLISTER HEAD SCREWS, HEX NUTS & MOUNTING SCREWS: ZINC PLATED CLEAR CHROMATE COATED.
- SIZE 3 CONFIGURATION SHOWN. NUMBER AND SIZE OF SLOTS IN THIS AREA VARIES BY CABLE CLAMP SIZE.



GROMMET ASSORTMENT TYPE 1 SEE TABLE



GROMMET ASSORTMENT TYPE 2 SEE TABLE

TYPE 2	.900	.730	2.644	1.920	2.406	5	5748678-5
TYPE 2	.800	.620	2.738	1.920	2.500	4	5748678-4
TYPE 2	.680	.640	2.090	1.920	1.852	3	5748678-3
TYPE 1	.620	.620	1.545	1.910	1.312	2	5748678-2
TYPE 1	.570	.630	1.215	1.910	.984	1	5748678-1
GROMMET ASSORTMENT	E	D	C	B	A	SIZE	PART NO

**COPYRIGHT 2005  
TE CONNECTIVITY CORP  
ALL RIGHTS RESERVED**

THIS DRAWING IS A CONTROLLED DOCUMENT.		DWN: R. RICHARDSON 15SEP05	<b>STE</b> TE Connectivity
DIMENSIONS: INCHES		CHK: C. ROHDE 15SEP05	
TOLERANCES UNLESS OTHERWISE SPECIFIED:		APVD: M. WALMSLEY 15SEP05	NAME: KIT, CABLE CLAMP, 180 DEGREES EXIT, UNPLATED, BLACK.
0 PLC ± -		PRODUCT SPEC	
1 PLC ± -		APPLICATION SPEC	
2 PLC ± -		SIZE: A1	CAGE CODE: 00779
3 PLC ± .005		DRAWING NO: C=5748678	RESTRICTED TO: -
4 PLC ± -		WEIGHT: -	CUSTOMER DRAWING
ANGLES ± -		SCALE: 3:1	SHEET: 1 OF 1
FINISH: 2		REV: A1	