

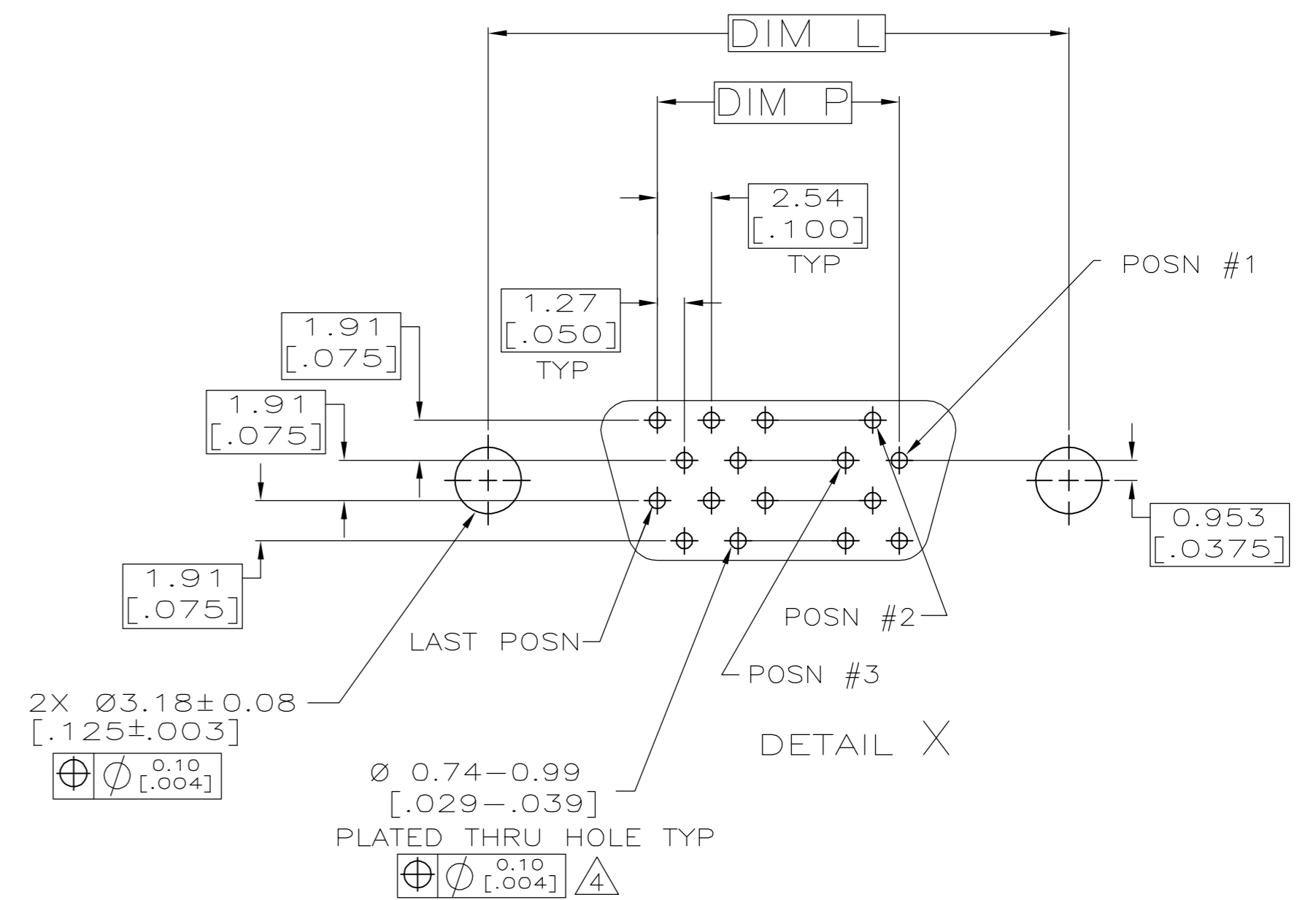
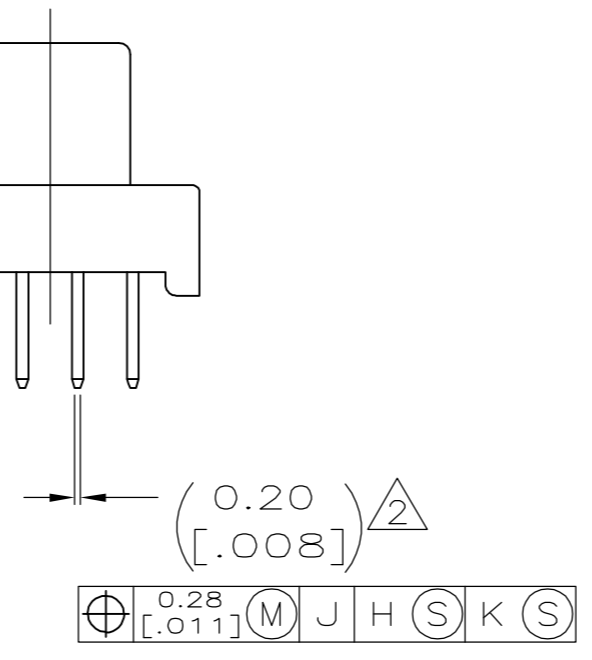
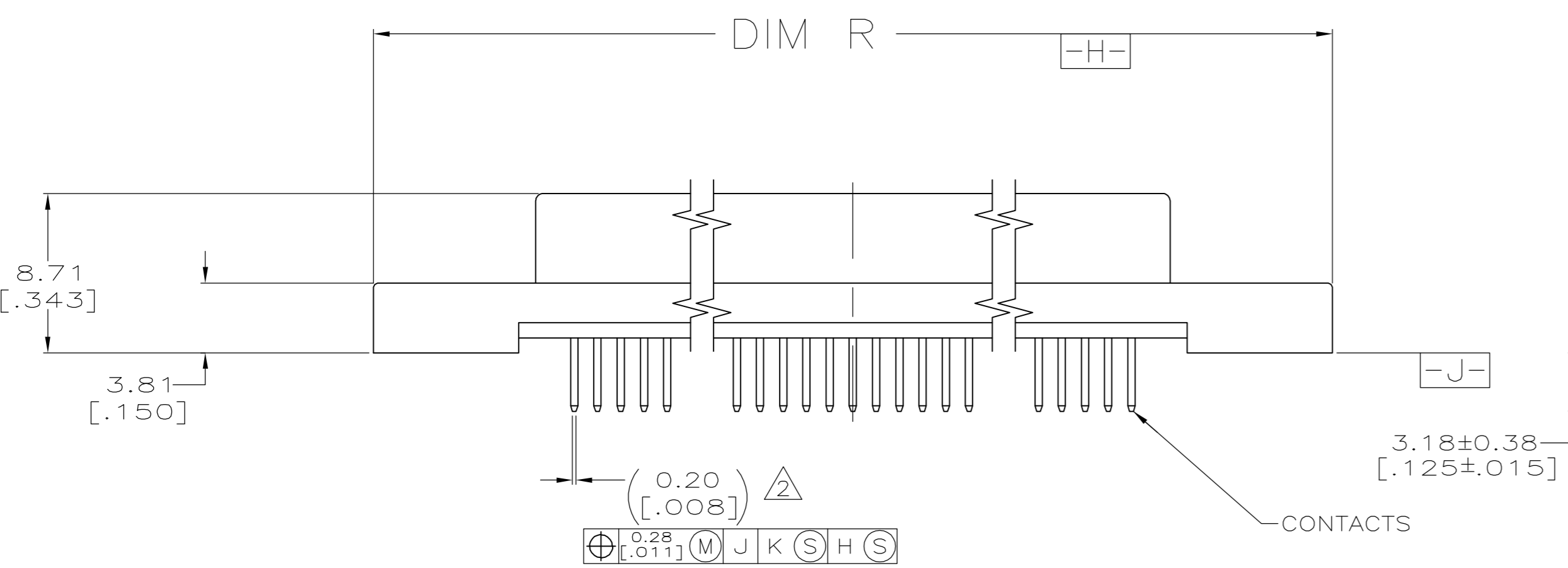
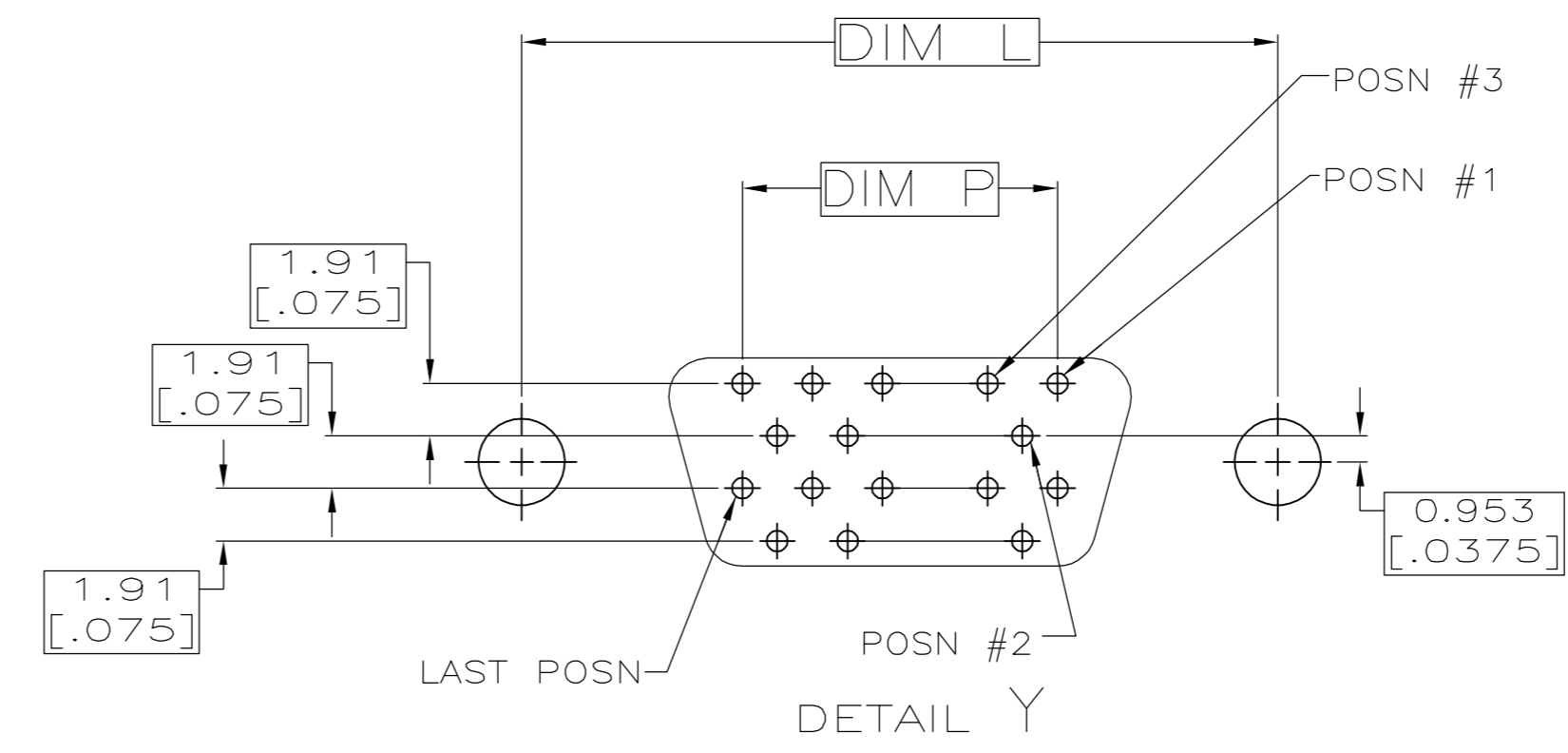
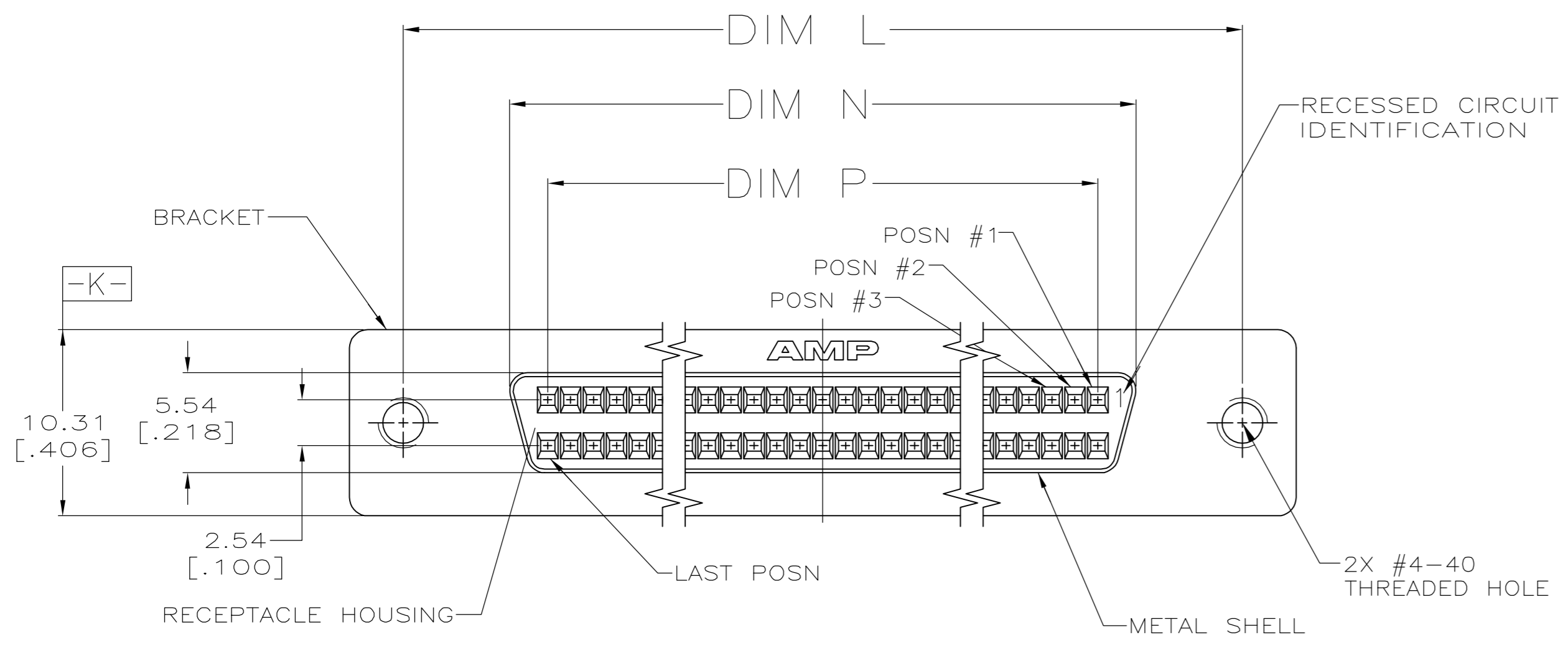
Distributed by:

JAMECO[®]
ELECTRONICS

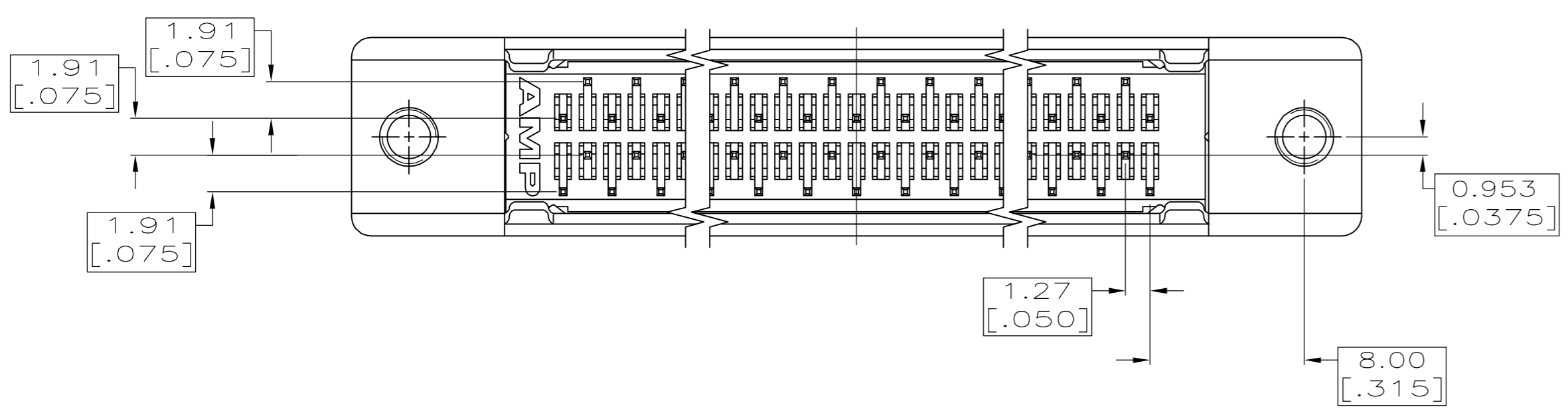
www.Jameco.com ♦ 1-800-831-4242

The content and copyrights of the attached
material are the property of its owner.

Jameco Part Number 755331



P.C. BOARD MOUNTING DIMENSIONS
(CONNECTOR SIDE)



- ① CONTACTS: GOLD PLATED .000762-.000889 [.000030-.000035] THICK ON MATING END, TIN PLATED .003048-.007620 [.000120-.000300] THICK ON SOLDER LEAD, ALL OVER .001270-.002540 [.000050-.000100] THICK NICKEL.
- ② POSITION TOLERANCE APPLIES AT TIP ONLY.
- ③ MATERIAL: CONTACTS-PHOSPHOR BRONZE, RECEPTACLE HOUSING-UL V-O RATED THERMOPLASTIC COLOR BLACK, BRACKET-ZINC, METAL SHELL-CARBON STEEL.
- ④ ACTUAL HOLE SIZE USED WILL DEPEND ON TRACE ROUTING REQUIREMENTS BETWEEN HOLES AND CONNECTOR PLACEMENT TECHNIQUE.
- ⑤ METAL SHELL: 5.08 μm [.000200] MIN NICKEL OVER 1.27 μm [.000050] MIN COPPER.
- ⑥ BRACKET: NICKEL.

**COPYRIGHT 2005
 TYCO ELECTRONICS CORP
 ALL RIGHTS RESERVED**

X	84.20 [3.315]	62.23 [2.450]	66.45 [2.616]	78.23 [3.080]	100	5749070-9
X	63.88 [2.515]	41.91 [1.650]	46.13 [1.816]	57.91 [2.280]	68	5749070-7
Y	52.45 [2.065]	30.48 [1.200]	34.70 [1.366]	46.48 [1.830]	50	5749070-5
PWB PATTERN	R	P	N	L	NO. OF POSN	PART NUMBER

THIS DRAWING IS A CONTROLLED DOCUMENT.

DIMENSIONS: mm(INCHES)	TOLERANCES UNLESS OTHERWISE SPECIFIED:	APVD M. WALMSLEY	NAME M. WALMSLEY
0 PLC ± -	1 PLC ± -	2 PLC ± -	3 PLC ± 0.12[.005]
4 PLC ± -	ANGLES ± -	MATERIAL 3	
FINISH 1 5 6		RECEPTACLE ASSEMBLY, SHIELDED, VERTICAL, AMPLIMITE .050 Series	
CUSTOMER DRAWING		SIZE A1	CAGE CODE 00779
SCALE 4:1		DRAWING NO. 5749070	
SHEET 1 OF 1		REV 0	

Tyco Electronics Corporation
 Harrisburg, Pa 17105-3608