



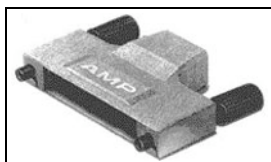
Have a Question?
 Chat with a Product
 Information Specialist

What can we help you find?

[Products](#) |
 [Industries](#) |
 [Resources](#) |
 [About TE](#) |
 [My Account](#) |
 [Innovation](#) |
 [Support Center](#)

5749080-1 Product Details

[Share](#) |
 [Print](#) |
 [Email](#)



5749080-1

TE Internal Number: 5749080-1

Active

[View 3D PDF](#)

.050 Series Cable Connectors (SCSI)

Always EU RoHS/ELV Compliant (Statement of Compliance)

Product Highlights:

- Hardware
- Hardware Type = Backshell Kit
- 50 Positions
- Applies To Wire/Cable
- Cable Insulation Diameter = 10.16 mm

[View all Features](#)

Quick Links

- ▶ [Pricing & Availability](#)
- ▶ [Search for Tooling](#)
- ▶ [View Connectors \(10\)](#)
- ▶ [Product Feature Selector](#)
- ▶ [Contact Us About This Product](#)

[Add to My Part List](#) |
 [Request Sample](#) |
 [Find Similar Products](#) |
 [Buy Product](#)

Documentation & Additional Information	
<p>Product Drawings:</p> <ul style="list-style-type: none"> • BACKSHELLS WITH MALE JACKSCREWS, 50 POSITION AMPLIMI... (PDF, English) <p>Catalog Pages/Data Sheets:</p> <ul style="list-style-type: none"> • AMPLIMITE Subminiature D Connectors - .050 Series Co... (PDF, English) <p>Product Specifications:</p> <ul style="list-style-type: none"> • None Available <p>Application Specifications:</p> <ul style="list-style-type: none"> • None Available <p>Instruction Sheets:</p> <ul style="list-style-type: none"> • None Available <p>CAD Files: (CAD Format & Compression Information)</p> <ul style="list-style-type: none"> • 2D Drawing (DXF, Version 0) • 3D Model (IGES, Version 0) • 3D Model (STEP, Version 0) 	<p>Related Products:</p> <ul style="list-style-type: none"> • Tooling • Connectors (10)

[List all Documents](#)

Product Features (Please use the Product Drawing for all design activity)	
<p>Product Type Features:</p> <ul style="list-style-type: none"> • Product Type = Hardware • Mating Connector Lock = With • Mating Connector Lock Type = Male Jackscrew • Product Series = Series III • Backshell Kit Exit Style = Straight (180°) • Color = Black • Strain Relief Clip Material = Carbon Steel <p>Mechanical Attachment:</p> <ul style="list-style-type: none"> • Hardware Type = Backshell Kit <p>Electrical Characteristics:</p> <ul style="list-style-type: none"> • Shielded = Yes <p>Dimensions:</p> <ul style="list-style-type: none"> • Cable Insulation Diameter (mm [in]) = 10.16 [0.400] <p>Body Features:</p> <ul style="list-style-type: none"> • Backshell Material = Zinc • Backshell Plating = Nickel over Copper • Jackscrew Material = Steel • Jackscrew Head Material = PVC • Jackscrew Plating = Zinc • Screw Material = Stainless Steel 	<p>Configuration Features:</p> <ul style="list-style-type: none"> • Number of Positions = 50 <p>Industry Standards:</p> <ul style="list-style-type: none"> • RoHS/ELV Compliance = RoHS compliant, ELV compliant • Lead Free Solder Processes = Not relevant for lead free process • RoHS/ELV Compliance History = Always was RoHS compliant <p>Conditions for Usage:</p> <ul style="list-style-type: none"> • Applies To = Wire/Cable <p>Packaging Features:</p> <ul style="list-style-type: none"> • Packaging Method = Individual <p>Other:</p> <ul style="list-style-type: none"> • Brand = AMP • Comment = Each backshell kit includes upper and lower backshells, two jackscrews, one strain relief staple and two 2-56 screws. All are packaged unassembled

Corporate Information

[About TE](#)

Quick Links

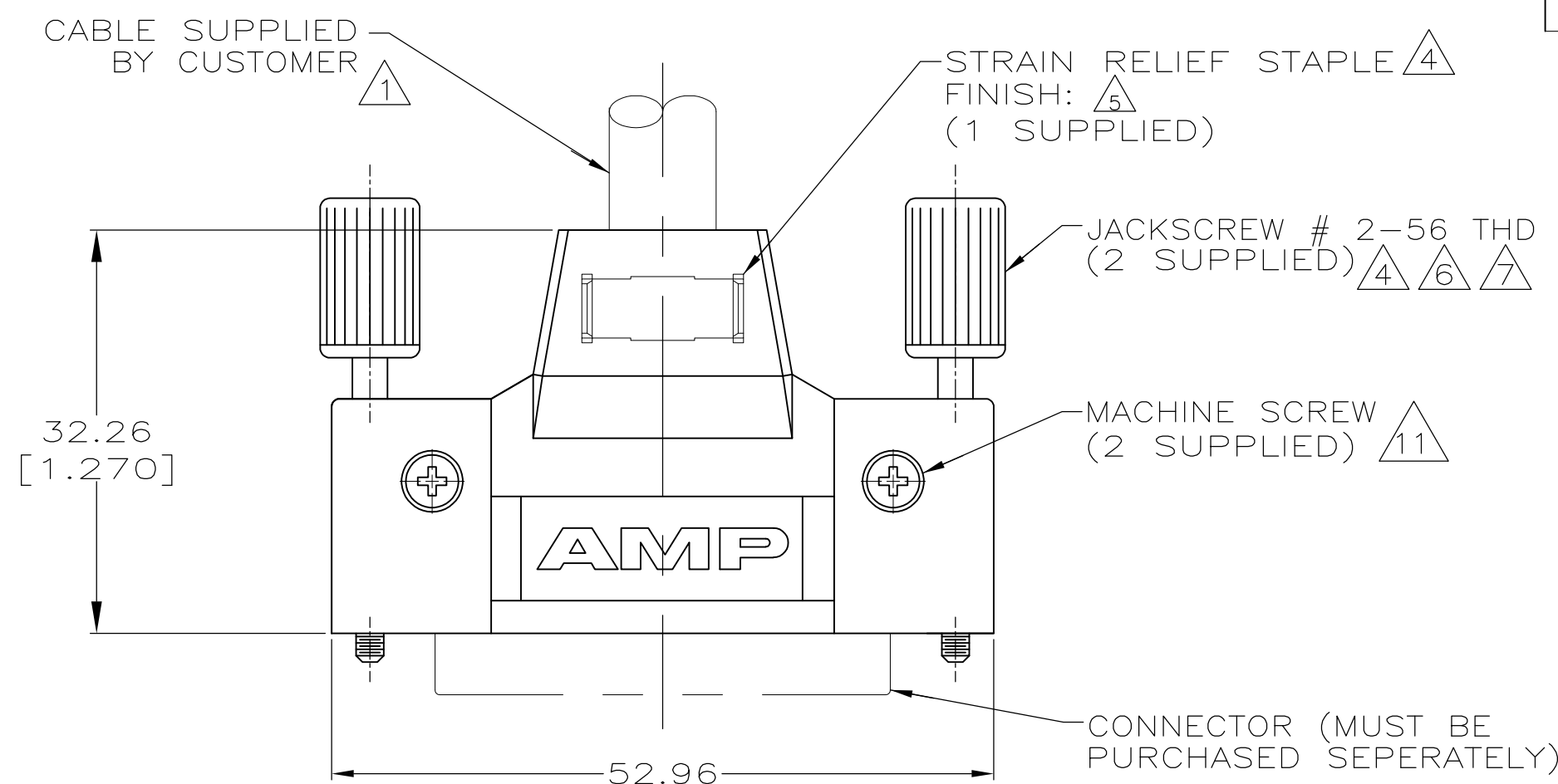
[Distributor Inventory](#)

Customer Support

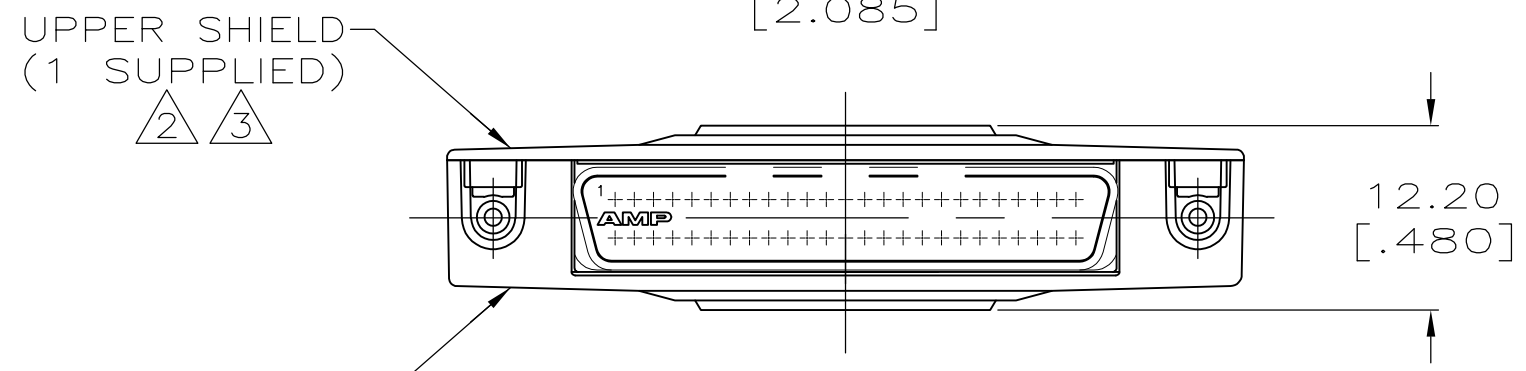
[Email or Chat With Us](#)

THIS DRAWING IS UNPUBLISHED. RELEASED FOR PUBLICATION
 © COPYRIGHT - By - ALL RIGHTS RESERVED.

LOC	DIST	REVISIONS					
GP	00	P	LTR	DESCRIPTION	DATE	DWN	APVD
		R		REVISED PER ECO-11-012218	14JUL2011	CJV	SLB



- 1 10.16[.400] MAX CABLE DIA.
- 2 ZINC.
- 3 NICKEL PLATED.
- 4 STEEL.
- 5 BRIGHT TIN PLATED.
- 6 POLYPROPYLENE OR NYLON, UL94V-0 RATED, BLACK.
- 7 BLACK ZINC PLATED.
- 8 PARTS PACKAGED AS A UNIT KIT.
- 9 INDIVIDUALLY BULK PACKAGED.
- 10 OBSOLETE PARTS: OBSOLETE CIS STREAMLINING PER D.RENAUD/D.SINISI.
- 11 STAINLESS STEEL.



(10) OBSOLETE	(9)	-5749080-2-
	(8)	5749080-1
	PACKAGING	PART NO.

**COPYRIGHT 2005
 TE CONNECTVITY CORP
 ALL RIGHTS RESERVED**

THIS DRAWING IS A CONTROLLED DOCUMENT.		DWN G.PETERS 24aug05	TE Connectivity	
DIMENSIONS: INCHES		CHK S.SHUEY 24AUG05		
TOLERANCES UNLESS OTHERWISE SPECIFIED:		APVD M.WALMSLEY 24AUG05		
0 PLC ± - 1 PLC ± - 2 PLC ± 0.38 [.015] 3 PLC ± - 4 PLC ± - ANGLES ± -		NAME		
MATERIAL STAPLE FINISH		FINISH	BACKSHELLS WITH MALE JACKSCREWS, 50 POSITION AMPLIMITE .050 Series	
PACKAGING		WEIGHT -	SIZE A3	CAGE CODE 00779
		CUSTOMER DRAWING	DRAWING NO C-5749080	RESTRICTED TO -
		SCALE 2:1	SHEET 1 OF 1	REV R