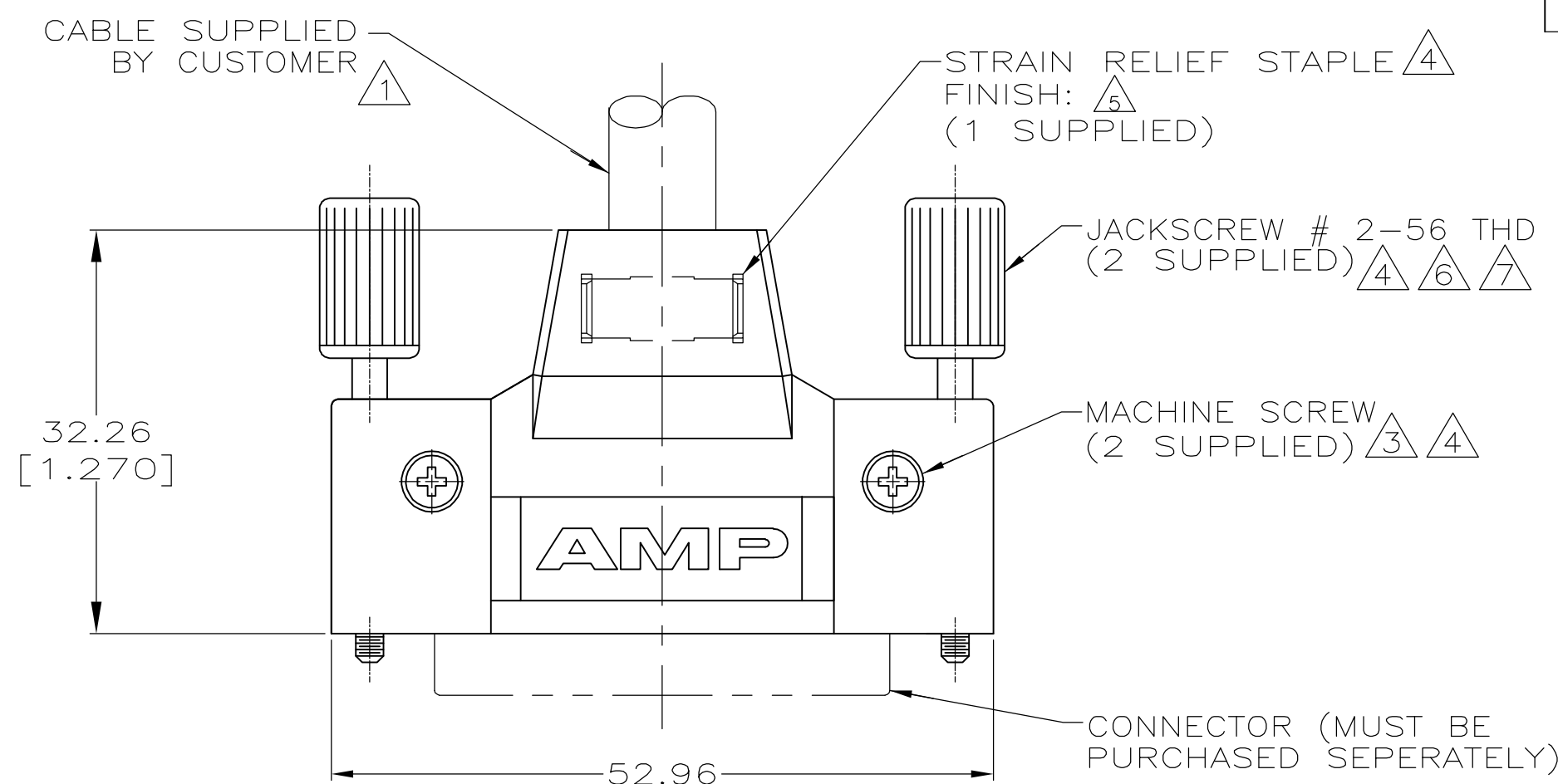
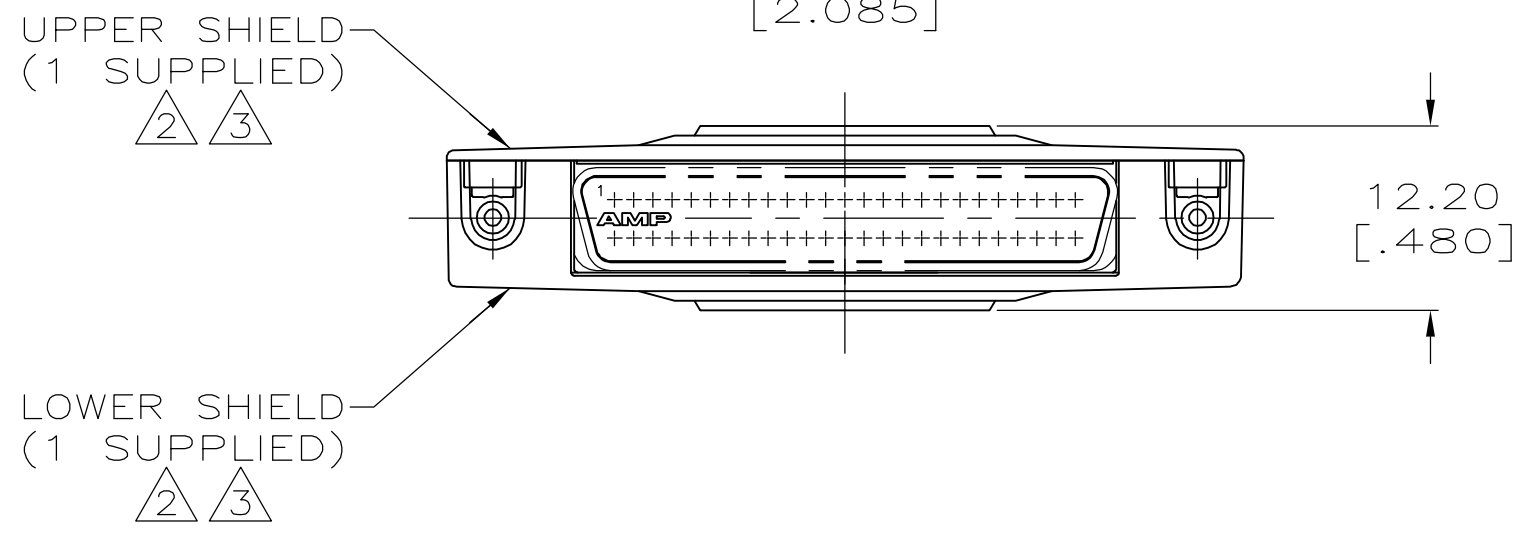


THIS DRAWING IS UNPUBLISHED. RELEASED FOR PUBLICATION
 © COPYRIGHT BY TYCO ELECTRONICS CORPORATION. ALL RIGHTS RESERVED.

LOC	DIST	REVISIONS					
GP	00	P	LTR	DESCRIPTION	DATE	DWN	APVD
			0	REVISED PER EC 0S13-0001-05	24AUG/05	GP	JG



- 1 10.16[.400] MAX CABLE DIA.
- 2 ZINC.
- 3 NICKEL PLATED.
- 4 STEEL.
- 5 BRIGHT TIN PLATED.
- 6 FLAME RETARDANT 94 V-0 RATED, POLYOLEFIN OR PVC, COLOR: BLACK.
- 7 BLACK ZINC PLATED.
- 8 PARTS PACKAGED AS A UNIT KIT.
- 9 INDIVIDUALLY BULK PACKAGED.



**COPYRIGHT 2005
 TYCO ELECTRONICS CORP
 ALL RIGHTS RESERVED**

THIS DRAWING IS A CONTROLLED DOCUMENT.		DWN	G.PETERS	24aug05	 Tyco Electronics Corporation Harrisburg, PA 17105-3608						
DIMENSIONS: INCHES		CHK	S.SHUEY	24AUG05							
TOLERANCES UNLESS OTHERWISE SPECIFIED:		APVD	M.WALMSLEY	24AUG05							
0 PLC ± - 1 PLC ± - 2 PLC ± 0.38 [.015] 3 PLC ± - 4 PLC ± - ANGLES ± -		PRODUCT SPEC	NAME								
MATERIAL	FINISH	APPLICATION SPEC	BACKSHELLS WITH MALE JACKSCREWS, 50 POSITION AMPLIMATE .050 Series								
STAPLE FINISH	PACKAGING	WEIGHT	—	SIZE	CAGE CODE	DRAWING NO	RESTRICTED TO				
				A3	00779	C=5749080	—				
CUSTOMER DRAWING						SCALE	2:1	SHEET	1 OF 1	REV	0