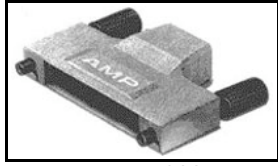


5749081-1 Product Details



5749081-1

TE Internal Number: 5749081-1

✓ Active

.050 Series Cable Connectors (SCSI)

Always EU RoHS/ELV Compliant
(Statement of Compliance)

Product Highlights:

- Hardware
- Hardware Type = Backshell Kit
- 100 Positions
- Applies To Wire/Cable
- Cable Insulation Diameter = 12.70 mm

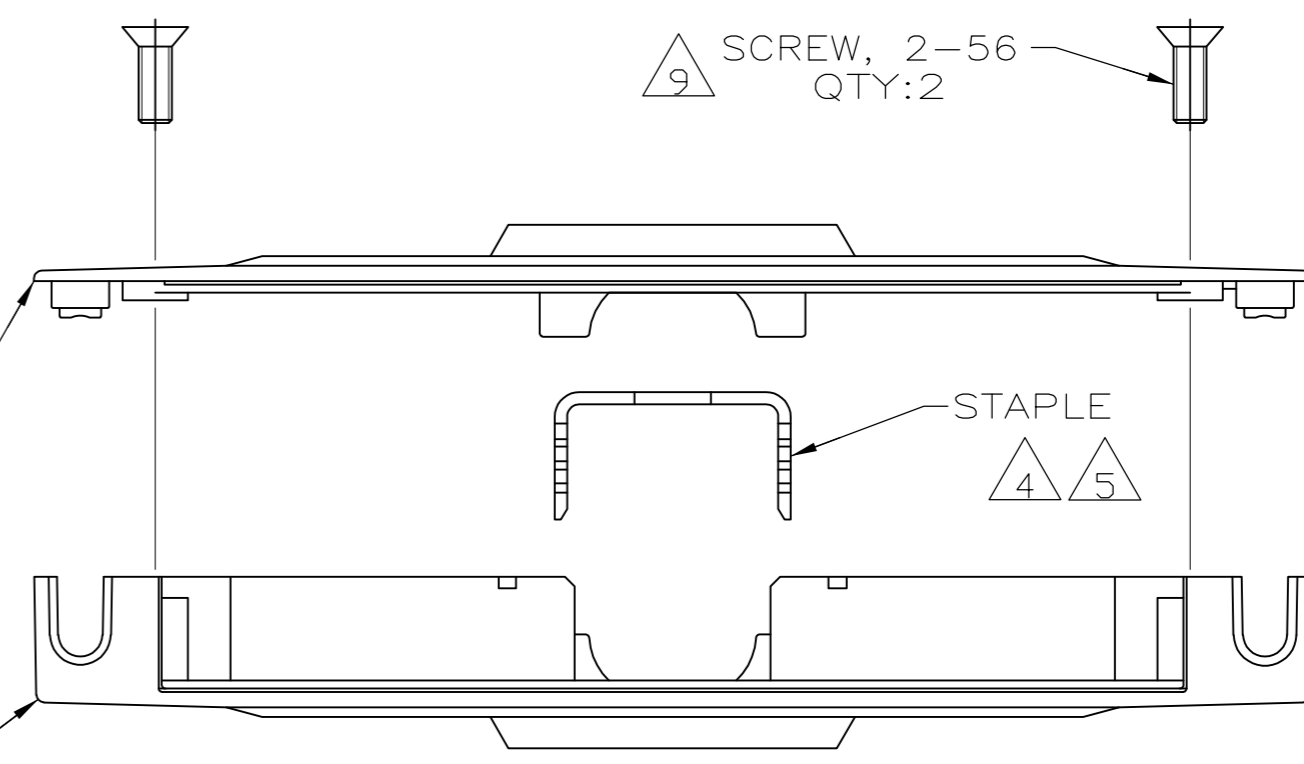
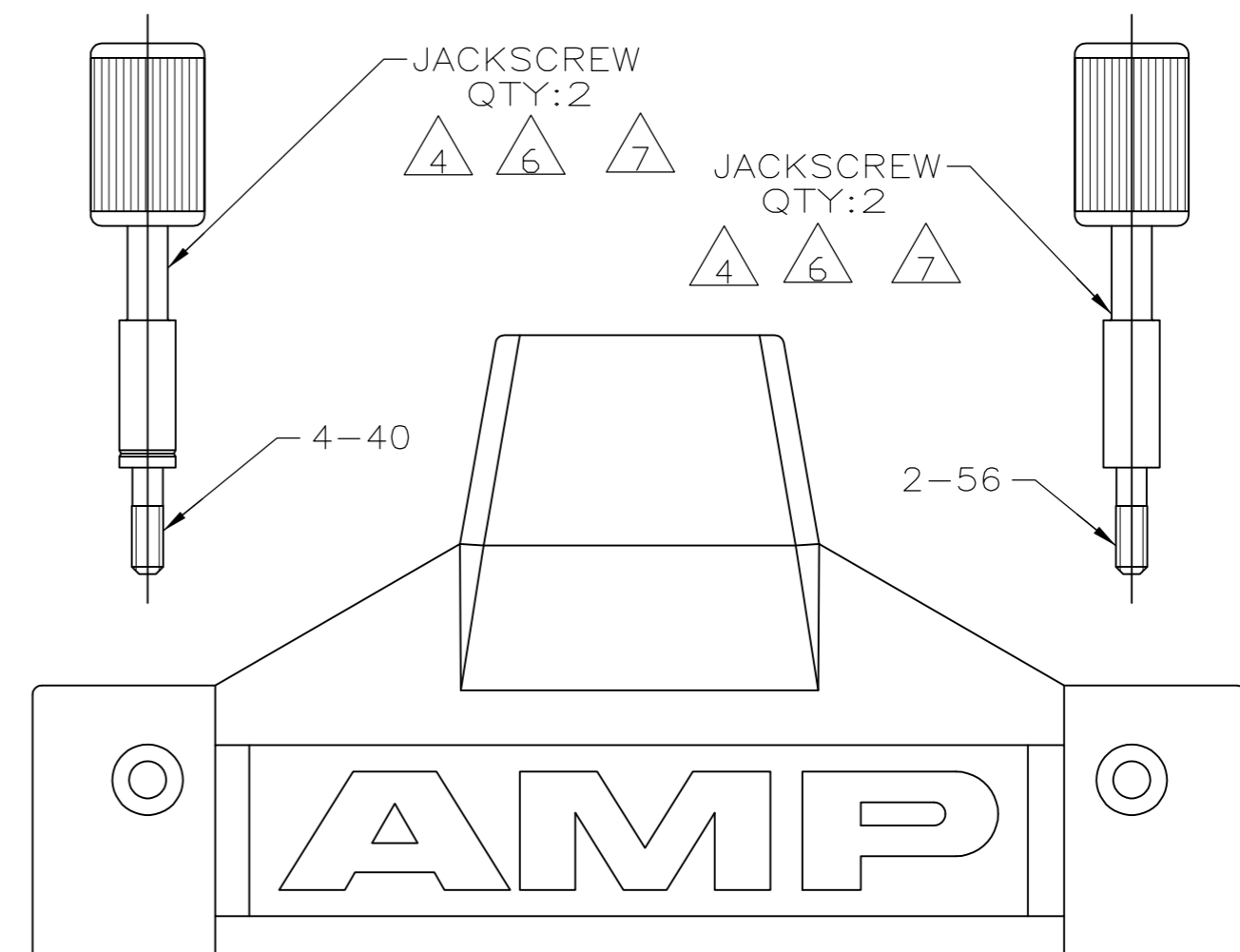
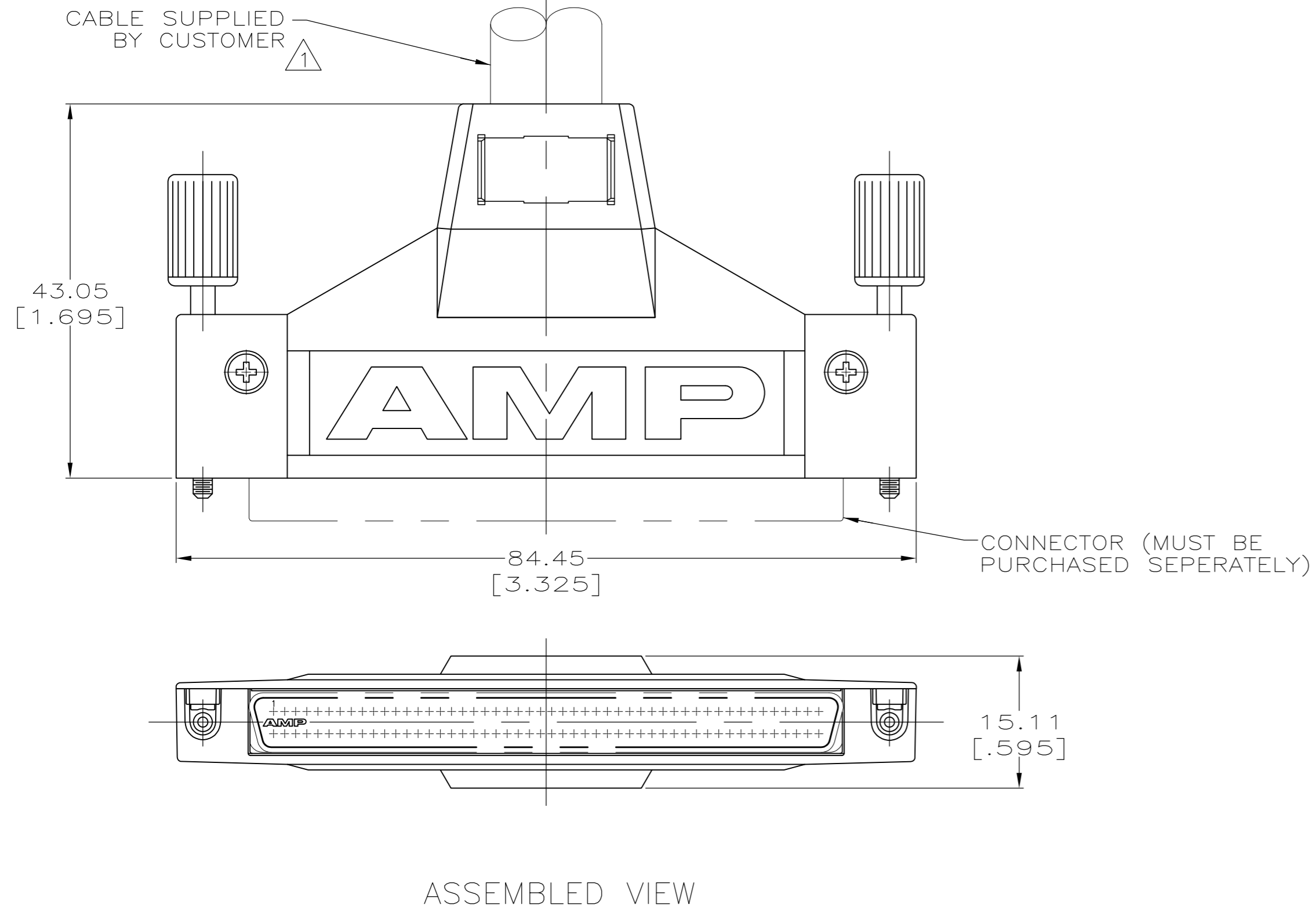
Documentation & Additional Information	
<p>Product Drawings:</p> <ul style="list-style-type: none"> • INDIVIDUAL KIT, BACKSHELLS WITH MALE JACKSCREWS, 100... (PDF, English) <p>Catalog Pages/Data Sheets:</p> <ul style="list-style-type: none"> • AMPLIMITE Subminiature D Connectors - .050 Series Co... (PDF, English) <p>Product Specifications:</p> <ul style="list-style-type: none"> • None Available <p>Application Specifications:</p> <ul style="list-style-type: none"> • None Available <p>Instruction Sheets:</p> <ul style="list-style-type: none"> • None Available <p>CAD Files: (CAD Format & Compression Information)</p> <ul style="list-style-type: none"> • 2D Drawing (DXF, Version 0) • 3D Model (IGES, Version 0) • 3D Model (STEP, Version 0) 	<p>Related Products:</p> <ul style="list-style-type: none"> • Tooling • Connectors (4)

Product Features (Please use the Product Drawing for all design activity)	
<p>Product Type Features:</p> <ul style="list-style-type: none"> • Product Type = Hardware • Mating Connector Lock = With • Mating Connector Lock Type = Male Jackscrew • Product Series = Series III • Backshell Kit Exit Style = Straight (180°) • Color = Black • Strain Relief Clip Material = Carbon Steel <p>Mechanical Attachment:</p> <ul style="list-style-type: none"> • Hardware Type = Backshell Kit <p>Electrical Characteristics:</p> <ul style="list-style-type: none"> • Shielded = Yes <p>Dimensions:</p> <ul style="list-style-type: none"> • Cable Insulation Diameter (mm [in]) = 12.70 [0.500] <p>Body Features:</p> <ul style="list-style-type: none"> • Backshell Material = Zinc • Backshell Plating = Nickel over Copper • Jackscrew Material = Steel • Jackscrew Head Material = BVC 	<p>Configuration Features:</p> <ul style="list-style-type: none"> • Number of Positions = 100 <p>Industry Standards:</p> <ul style="list-style-type: none"> • RoHS/ELV Compliance = RoHS compliant, ELV compliant • Lead Free Solder Processes = Not relevant for lead free process • RoHS/ELV Compliance History = Always was RoHS compliant <p>Conditions for Usage:</p> <ul style="list-style-type: none"> • Applies To = Wire/Cable <p>Other:</p> <ul style="list-style-type: none"> • Brand = AMP • Comment = Each backshell kit includes upper and lower backshells, two jackscrews, one strain relief staple and two 2-56 screws. All are packaged unassembled

- Jackscrew Head Material = PVC
- Jackscrew Plating = Zinc
- Screw Material = Stainless Steel

THIS DRAWING IS UNPUBLISHED. RELEASED FOR PUBLICATION
 © COPYRIGHT - By - ALL RIGHTS RESERVED.

LOC		DIST		REVISIONS			
P	LTR	DESCRIPTION	DATE	DWN	APVD		
GP	00						
	R	REVISED PER ECO-11-012218	14JUL2011	CJV	SLB		



UPPER BACKSHELL

2 3

LOWER BACKSHELL

2 3

- 1 12.70 [.500] MAX CABLE DIA.
- 2 ZINC.
- 3 NICKEL PLATED.
- 4 STEEL.
- 5 BRIGHT TIN PLATED.
- 6 POLYPROPYLENE OR NYLON, UL94V-0 RATED, BLACK.
- 7 BLACK ZINC PLATED.
- 8 PARTS PACKAGED AS A UNIT KIT.
- 9 STAINLESS STEEL.

THIS DRAWING IS A CONTROLLED DOCUMENT.		DWN	G.PETERS	25AUG05
DIMENSIONS: INCHES		CHK	S.SHUEY	25AUG05
TOLERANCES UNLESS OTHERWISE SPECIFIED:		APVD	M.WALMSLEY	25AUG05
0 PLC	± -	PRODUCT SPEC		
1 PLC	± -	APPLICATION SPEC		
2 PLC	± 0.38 [.015]			
3 PLC	± -			
4 PLC	± -			
ANGLES	± -			
MATERIAL	FINISH	WEIGHT		
-	-	-		

4-40	5749081-2		
2-56	5749081-1		
JACKSCREW THREAD	PART NO.		
TE TE Connectivity			
NAME: INDIVIDUAL KIT, BACKSHELLS WITH MALE JACKSCREWS, 100 POSITION AMPLIMITE .050 SERIES			
SIZE	CAGE CODE	DRAWING NO	RESTRICTED TO
A2	00779	C=5749081	-
CUSTOMER DRAWING		SCALE	SHEET
		2:1	1 of 1
		REV	R