



Have a Question?
 Chat with a Product
 Information Specialist

What can we help you find?

[Products](#) |
 [Industries](#) |
 [Resources](#) |
 [About TE](#) |
 [My Account](#) |
 [Innovation](#) |
 [Support Center](#)

5749111-7 Product Details

[Share](#) |
 [Print](#) |
 [Email](#)



5749111-7

TE Internal Number: 5749111-7

Active

View 3D PDF

.050 Series Cable Connectors (SCSI)

Always EU RoHS/ELV Compliant (Statement of Compliance)

Product Highlights:

- Connector
- Connector Style = Plug
- 80 Positions
- Wire/Cable Type = Round Jacketed Cable
- Applies To Cable

[View all Features](#)

Quick Links

- ▶ [Pricing & Availability](#)
- ▶ [Search for Tooling](#)
- ▶ [View Mating Products \(1\)](#)
- ▶ [View Accessories \(1\)](#)
- ▶ [Product Feature Selector](#)
- ▶ [Contact Us About This Product](#)

[Add to My Part List](#) |
 [Request Sample](#) |
 [Find Similar Products](#) |
 [Buy Product](#)

Documentation & Additional Information	
<p>Product Drawings:</p> <ul style="list-style-type: none"> • PLUG ASSEMBLY, AMPLIMITE .050 Series (PDF, English) <p>Catalog Pages/Data Sheets:</p> <ul style="list-style-type: none"> • AMPLIMITE Subminiature D Connectors - .050 Series Co... (PDF, English) <p>Product Specifications:</p> <ul style="list-style-type: none"> • Connector, AMPLIMITE, Shielded, .050 Series (PDF, English) <p>Application Specifications:</p> <ul style="list-style-type: none"> • AMPLIMITE .050 Series Cable End Insulation Displacem... (PDF, English) <p>Instruction Sheets:</p> <ul style="list-style-type: none"> • Manual Arbor Frame Assembly 58024-1 (PDF, English) • Repair Tool 58430-1 for AMPLIMITE .050 Series Connectors (PDF, English) • AMPLIMITE .050 Series Connectors (Round-to-Flat Cable) (PDF, English) • Installation and Use of Mass Termination Tooling (PDF, English) • Cover Lacing Fixture 91293-1 for AMPLIMITE .050 Seri... (PDF, English) • Manual Miniature Applicator Frame Assembly 91295-1 (PDF, English) • Cover Closing Kits 543508-1 and 543526-1 and Staple ... (PDF, English) • Tooling Kit 768900-1 (PDF, English) <p>CAD Files: (CAD Format & Compression Information)</p> <ul style="list-style-type: none"> • 2D Drawing (DXF, Version O1) • 3D Model (IGES, Version O1) • 3D Model (STEP, Version O1) 	<p>Related Products:</p> <ul style="list-style-type: none"> • Tooling • Mating Products (1) • Accessories (1)

[List all Documents](#)

Product Features (Please use the Product Drawing for all design activity)	
<p>Product Type Features:</p> <ul style="list-style-type: none"> • Product Type = Connector • Wire/Cable Type = Round Jacketed Cable • Wire Insulation Diameter (mm [in]) = 0.74 - 0.91 [0.029 - 0.036] • Mating Connector Lock = Without • Detent = Without • Rails = Without • Termination Cover = With • Product Series = Series III • Termination Method to Wire/Cable = Insulation Displacement Crimp (IDC) • Termination Cover Type = Standard • Termination Cover Method = Assembled • Color = Black <p>Mechanical Attachment:</p> <ul style="list-style-type: none"> • Panel Mount Retention = Without <p>Electrical Characteristics:</p>	<p>Contact Features:</p> <ul style="list-style-type: none"> • Contact Base Material = Phosphor Bronze • Contact Plating, Mating Area, Material = Gold Flash over Palladium Nickel, Gold (30) <p>Housing Features:</p> <ul style="list-style-type: none"> • Connector Style = Plug • Housing Material = Thermoplastic - GF • UL Flammability Rating = UL 94V-0 <p>Configuration Features:</p> <ul style="list-style-type: none"> • Number of Positions = 80 <p>Industry Standards:</p> <ul style="list-style-type: none"> • RoHS/ELV Compliance = RoHS compliant, ELV compliant • Lead Free Solder Processes = Not relevant for lead free process • RoHS/ELV Compliance History = Always was RoHS compliant <p>Conditions for Usage:</p> <ul style="list-style-type: none"> • Applies To = Cable

- Shielded = Yes

Termination Features:

- Solder Tail Contact Plating = Tin over Nickel

Body Features:

- Wire Range (mm [AWG]) = 0.05-0.09² [30-28]
- Plug Shell Material = Steel
- Plug Shell Plating = Tin-Nickel Alloy

Other:

- Brand = AMP
- Comment = Plug connector requires backshell kit for complete assembly

Corporate Information

- [About TE](#)
- [Investors](#)
- [News Room](#)
- [Supplier Portal](#)
- [Careers](#)
- [Terms & Conditions](#)
- [Privacy Policy](#)

Quick Links

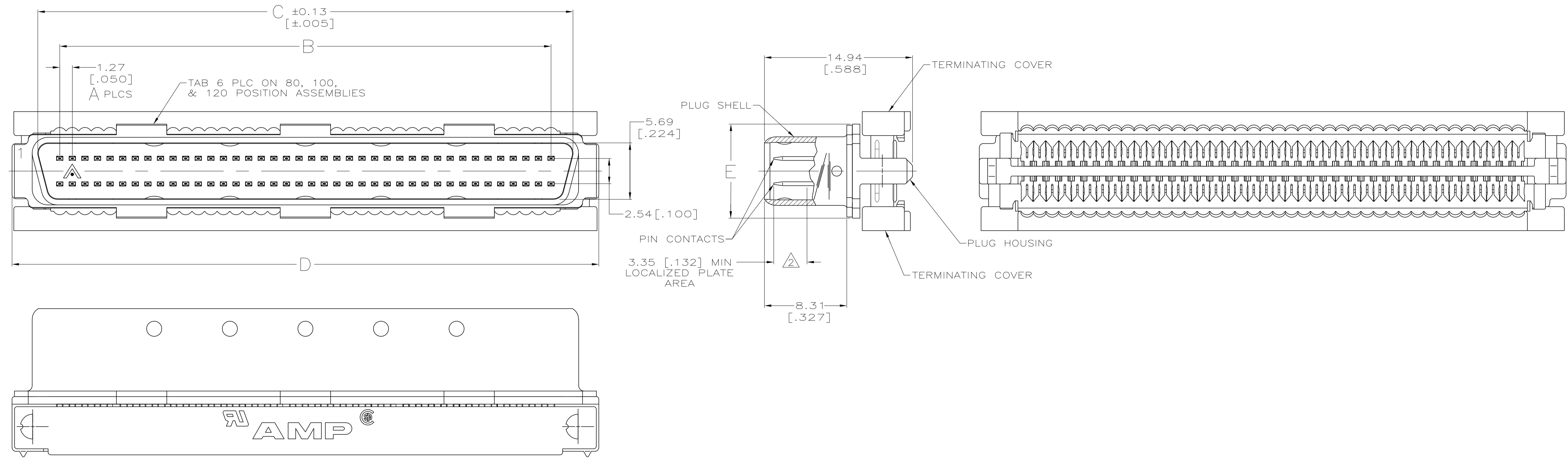
- [Distributor Inventory](#)
- [Product Cross Reference](#)
- [Documents & Drawings](#)
- [Product Compliance Support Center](#)
- [Site Map](#)

Customer Support

- [Email or Chat With Us](#)
- [Find a Phone Number](#)
- [Knowledge Base](#)
- [Manage Your Account](#)

Keep Me Informed





- MATERIAL:**
 PIN CONTACTS - PHOSPHOR BRONZE.
 PLUG SHELL - STEEL.
 PLUG HOUSING & TERMINATING COVERS - UL V-0 RATED THERMOPLASTIC; COLOR: BLACK.
- FINISH:**
 PIN CONTACTS - EITHER $0.76\mu\text{m}$ [$.000030$] MIN GOLD PLATE OR GOLD FLASH OVER PALLADIUM NICKEL PLATE, $0.76\mu\text{m}$ [$.000030$] MIN TOTAL IN LOCALIZED PLATE AREA, $3.00\mu\text{m}$ [$.000118$] MIN TIN IN TERMINATION AREA, ALL OVER $1.27\mu\text{m}$ [$.000050$] MIN NICKEL.
 PLUG SHELL - $0.25\mu\text{m}$ [$.000010$] MIN TIN-NICKEL OVER $3.81\mu\text{m}$ [$.000150$] MIN NICKEL OVER $2.54\mu\text{m}$ [$.000100$] MIN COPPER.
3. RECOMMENDED WIRE: 28 AWG OR 30 AWG, SOLID OR 7 STRAND, PVC INSULATION WITH A $0.74-0.91$ [$.029-.036$] INSULATION DIAMETER.

$\triangle 2$	7.44 [.293]	24.87 [.979]	19.61 [.772]	15.24 [.600]	12	26	1-5749111-0
$\triangle 2$	9.47 [.373]	84.56 [3.329]	79.30 [3.122]	74.93 [2.950]	59	120	5749111-9
$\triangle 2$	9.47 [.373]	71.86 [2.829]	66.60 [2.622]	62.23 [2.450]	49	100	5749111-8
$\triangle 2$	9.47 [.373]	59.16 [2.329]	53.90 [2.122]	49.53 [1.950]	39	80	5749111-7
$\triangle 2$	7.44 [.293]	51.54 [2.029]	46.28 [1.822]	41.91 [1.650]	33	68	5749111-6
$\triangle 2$	7.44 [.293]	40.11 [1.579]	34.85 [1.372]	30.48 [1.200]	24	50	5749111-4
$\triangle 2$	7.44 [.293]	33.76 [1.329]	28.50 [1.122]	24.13 [.950]	19	40	5749111-3
$\triangle 2$	7.44 [.293]	21.06 [.829]	15.80 [.622]	11.43 [.450]	9	20	5749111-1
FINISH	E	D	C	B	A	NO OF POSN	PART NO

THIS DRAWING IS A CONTROLLED DOCUMENT.

DIMENSIONS: mm [INCHES]	TOLERANCES UNLESS OTHERWISE SPECIFIED:	APVD M. WALSLEY	NAME PLUG ASSEMBLY, AMPLIMITE .050 Series
ϕ	0. PLC ± - 1. PLC ± - 2. PLC ± 0.38 [.015] 3. PLC ± - 4. PLC ± - ANGLES ± -	DATE 02-23-05	PRODUCT SPEC 108-1228
MATERIAL $\triangle 1$	SEE TABLE	SIZE A1	RESTRICTED TO

STE TE Connectivity

CUSTOMER DRAWING SCALE 5:1 SHEET 1 OF 1 REV E1