



Have a Question?
 Chat with a Product
 Information Specialist

What can we help you find?

[Products](#) |
 [Industries](#) |
 [Resources](#) |
 [About TE](#) |
 [My Account](#) |
 [Innovation](#) |
 [Support Center](#)

5749111-8 Product Details

[Share](#) |
 [Print](#) |
 [Email](#)



5749111-8

TE Internal Number: 5749111-8

Active

View 3D PDF

.050 Series Cable Connectors (SCSI)

Always EU RoHS/ELV Compliant (Statement of Compliance)

Product Highlights:

- Connector
- Connector Style = Plug
- 100 Positions
- Wire/Cable Type = Round Jacketed Cable
- Applies To Cable

[View all Features](#)

Quick Links

- ▶ Pricing & Availability
- ▶ Search for Tooling
- ▶ View Mating Products (10)
- ▶ View Accessories (1)
- ▶ Product Feature Selector
- ▶ Contact Us About This Product

[Add to My Part List](#) |
 [Request Sample](#) |
 [Find Similar Products](#) |
 [Buy Product](#)

Documentation & Additional Information

Product Drawings:

- [PLUG ASSEMBLY, AMPLIMITE .050 Series \(PDF, English\)](#)

Catalog Pages/Data Sheets:

- [AMPLIMITE Subminiature D Connectors - .050 Series Co... \(PDF, English\)](#)

Product Specifications:

- [Connector, AMPLIMITE, Shielded, .050 Series \(PDF, English\)](#)

Application Specifications:

- [AMPLIMITE .050 Series Cable End Insulation Displacem... \(PDF, English\)](#)

Instruction Sheets:

- [Manual Arbor Frame Assembly 58024-1 \(PDF, English\)](#)
- [Repair Tool 58430-1 for AMPLIMITE .050 Series Connectors \(PDF, English\)](#)
- [AMPLIMITE .050 Series Connectors \(Round-to-Flat Cable\) \(PDF, English\)](#)
- [Installation and Use of Mass Termination Tooling \(PDF, English\)](#)
- [Cover Lacing Fixture 91293-1 for AMPLIMITE .050 Seri... \(PDF, English\)](#)
- [Manual Miniature Applicator Frame Assembly 91295-1 \(PDF, English\)](#)
- [Cover Closing Kits 543508-1 and 543526-1 and Staple ... \(PDF, English\)](#)
- [Tooling Kit 768900-1 \(PDF, English\)](#)

CAD Files: (CAD Format & Compression Information)

- [2D Drawing \(DXF, Version O1\)](#)
- [3D Model \(IGES, Version O1\)](#)
- [3D Model \(STEP, Version O1\)](#)

[List all Documents](#)

Related Products:

- [Tooling](#)
- [Mating Products \(10\)](#)
- [Accessories \(1\)](#)

Product Features (Please use the Product Drawing for all design activity)

Product Type Features:

- Product Type = Connector
- Wire/Cable Type = Round Jacketed Cable
- Wire Insulation Diameter (mm [in]) = 0.74 - 0.91 [0.029 - 0.036]
- Mating Connector Lock = Without
- Detent = Without
- Rails = Without
- Termination Cover = With
- Product Series = Series III
- Termination Method to Wire/Cable = Insulation Displacement Crimp (IDC)
- Termination Cover Type = Standard
- Termination Cover Method = Assembled
- Color = Black

Mechanical Attachment:

- Panel Mount Retention = Without

Electrical Characteristics:

- Shielded = Yes

Termination Features:

- Solder Tail Contact Plating = Tin over Nickel

Contact Features:

- Contact Base Material = Phosphor Bronze
- Contact Plating, Mating Area, Material = Gold Flash over Palladium Nickel, Gold (30)

Housing Features:

- Connector Style = Plug
- Housing Material = Thermoplastic - GF
- UL Flammability Rating = UL 94V-0

Configuration Features:

- Number of Positions = 100

Industry Standards:

- RoHS/ELV Compliance = RoHS compliant, ELV compliant
- Lead Free Solder Processes = Not relevant for lead free process
- RoHS/ELV Compliance History = Always was RoHS compliant

Conditions for Usage:

- Applies To = Cable

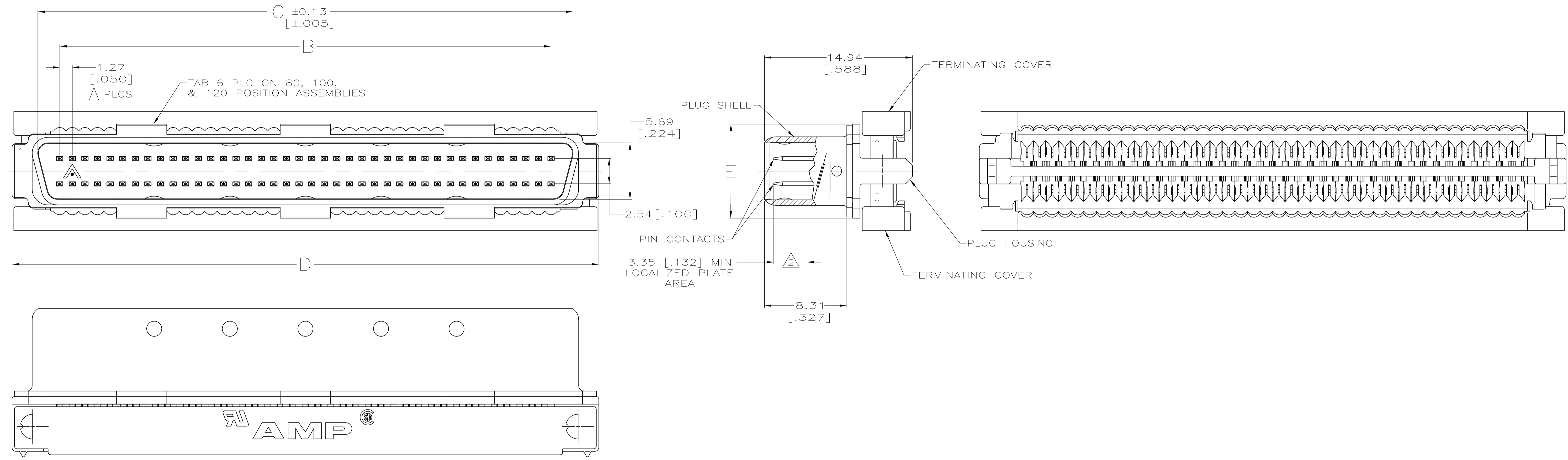
Other:

- Brand = AMP
- Comment = Plug connector requires backshell kit for complete

Body Features:

- Wire Range (mm [AWG]) = 0.05-0.092 [30-28]
- Plug Shell Material = Steel
- Plug Shell Plating = Tin-Nickel Alloy

assembly



- △ MATERIAL:
 PIN CONTACTS - PHOSPHOR BRONZE.
 PLUG SHELL - STEEL.
 PLUG HOUSING & TERMINATING COVERS - UL V-0 RATED THERMOPLASTIC; COLOR: BLACK.
- △ FINISH:
 PIN CONTACTS - EITHER 0.76µm [.000030] MIN GOLD PLATE OR GOLD FLASH OVER PALLADIUM NICKEL PLATE, 0.76µm [.000030] MIN TOTAL IN LOCALIZED PLATE AREA, 3.00µm [.000118] MIN TIN IN TERMINATION AREA, ALL OVER 1.27µm [.000050] MIN NICKEL.
 PLUG SHELL - 0.25µm [.000010] MIN TIN-NICKEL OVER 3.81µm [.000150] MIN NICKEL OVER 2.54µm [.000100] MIN COPPER.
3. RECOMMENDED WIRE: 28 AWG OR 30 AWG, SOLID OR 7 STRAND, PVC INSULATION WITH A 0.74-0.91 [.029-.036] INSULATION DIAMETER.

△	7.44 [.293]	24.87 [.979]	19.61 [.772]	15.24 [.600]	12	26	1-5749111-0
△	9.47 [.373]	84.56 [3.329]	79.30 [3.122]	74.93 [2.950]	59	120	5749111-9
△	9.47 [.373]	71.86 [2.829]	66.60 [2.622]	62.23 [2.450]	49	100	5749111-8
△	9.47 [.373]	59.16 [2.329]	53.90 [2.122]	49.53 [1.950]	39	80	5749111-7
△	7.44 [.293]	51.54 [2.029]	46.28 [1.822]	41.91 [1.650]	33	68	5749111-6
△	7.44 [.293]	40.11 [1.579]	34.85 [1.372]	30.48 [1.200]	24	50	5749111-4
△	7.44 [.293]	33.76 [1.329]	28.50 [1.122]	24.13 [.950]	19	40	5749111-3
△	7.44 [.293]	21.06 [.829]	15.80 [.622]	11.43 [.450]	9	20	5749111-1
FINISH	E	D	C	B	A	NO OF POSN	PART NO

THIS DRAWING IS A CONTROLLED DOCUMENT.

DIMENSIONS: mm [INCHES]	TOLERANCES UNLESS OTHERWISE SPECIFIED:	DIN G. ATTADIA - 02-23-05 CIRK J. GFRACE 02-23-05 APVD M. WALMSLEY 02-23-05	NAME PLUG ASSEMBLY, AMPLIMITE .050 Series
0 PLC ± - 1 PLC ± - 2 PLC ± 0.38 [.015] 3 PLC ± - 4 PLC ± - ANGLES ± -	SEE TABLE	SIZE 114-40029	RESTRICTED TO
MATERIAL △ 1	FINISH SEE TABLE	WEIGHT -	SCALE 5:1 SHEET 1 OF 1 REV E1

CUSTOMER DRAWING