



Have a Question?
Chat with a Product
Information Specialist

What can we help you find?

Products Industries Resources About TE My Account Innovation Support Center

5749195-2 Product Details

Share Print Email



5749195-2

TE Internal Number: 5749195-2

Active

View 3D PDF

.050 Series Cable Connectors (SCSI)

Always EU RoHS/ELV Compliant (Statement of Compliance)

Product Highlights:

- Hardware
- Hardware Type = Backshell Kit
- 68 Positions
- Applies To Wire/Cable
- Cable Insulation Diameter = 11.18 mm

View all Features

Quick Links

- ▶ Pricing & Availability
- ▶ Search for Tooling
- ▶ View Connectors (7)
- ▶ Product Feature Selector
- ▶ Contact Us About This Product

Add to My Part List Request Sample Find Similar Products Buy Product

Documentation & Additional Information	
<p>Product Drawings:</p> <ul style="list-style-type: none"> • INDIVIDUAL KIT, UNASSEMBLED, 68 POSITION, STRAIGHT E... (PDF, English) <p>Catalog Pages/Data Sheets:</p> <ul style="list-style-type: none"> • AMPLIMITE Subminiature D Connectors - .050 Series Co... (PDF, English) <p>Product Specifications:</p> <ul style="list-style-type: none"> • None Available <p>Application Specifications:</p> <ul style="list-style-type: none"> • None Available <p>Instruction Sheets:</p> <ul style="list-style-type: none"> • None Available <p>CAD Files: (CAD Format & Compression Information)</p> <ul style="list-style-type: none"> • 2D Drawing (DXF, Version 0) • 3D Model (IGES, Version 0) • 3D Model (STEP, Version 0) 	<p>Related Products:</p> <ul style="list-style-type: none"> • Tooling • Connectors (7)

List all Documents

Product Features (Please use the Product Drawing for all design activity)	
<p>Product Type Features:</p> <ul style="list-style-type: none"> • Product Type = Hardware • Mating Connector Lock = With • Mating Connector Lock Type = Spring Latch • Product Series = Series III • Backshell Kit Exit Style = Straight (180°) • Strain Relief Clip Material = Steel • Latching Spring Material = Stainless Steel <p>Mechanical Attachment:</p> <ul style="list-style-type: none"> • Hardware Type = Backshell Kit <p>Electrical Characteristics:</p> <ul style="list-style-type: none"> • Shielded = Yes <p>Dimensions:</p> <ul style="list-style-type: none"> • Cable Insulation Diameter (mm [in]) = 11.18 [0.440] 	<p>Body Features:</p> <ul style="list-style-type: none"> • Backshell Material = Zinc • Backshell Plating = Nickel over Copper • Shell Plating = Tin over Nickel • Screw Material = Stainless Steel <p>Configuration Features:</p> <ul style="list-style-type: none"> • Number of Positions = 68 <p>Industry Standards:</p> <ul style="list-style-type: none"> • RoHS/ELV Compliance = RoHS compliant, ELV compliant • Lead Free Solder Processes = Not relevant for lead free process • RoHS/ELV Compliance History = Always was RoHS compliant <p>Conditions for Usage:</p> <ul style="list-style-type: none"> • Applies To = Wire/Cable <p>Other:</p> <ul style="list-style-type: none"> • Brand = AMP • Comment = Each backshell kit includes upper and lower backshells, two spring latches, one strain relief staple and two 2-56 screws. All are packaged unassembled; Meets SCSI-2 standards

Corporate Information

About TE
Investors

Quick Links

Distributor Inventory
Product Cross Reference

Customer Support

Email or Chat With Us
Find a Phone Number

4

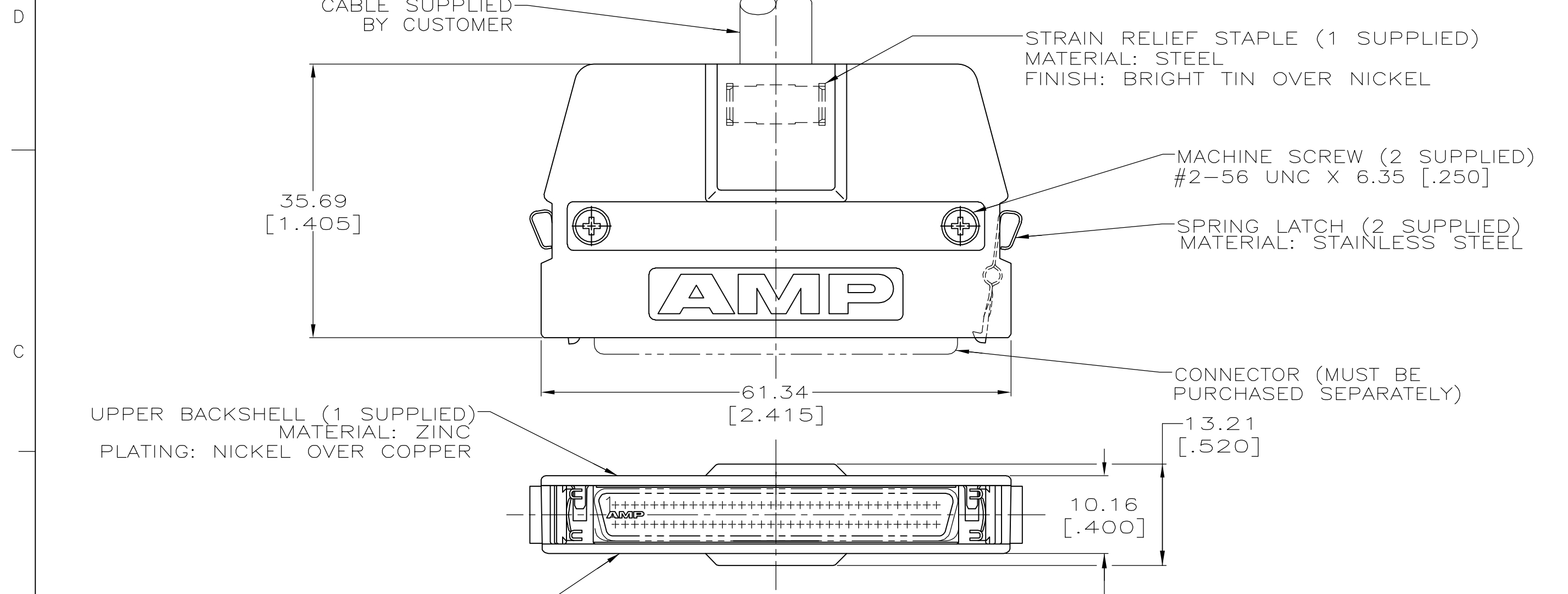
3

2

1

THIS DRAWING IS UNPUBLISHED. RELEASED FOR PUBLICATION
 © COPYRIGHT BY TYCO ELECTRONICS CORPORATION. ALL RIGHTS RESERVED.

LOC	DIST	REVISIONS					
GP	00	P	LTR	DESCRIPTION	DATE	DWN	APVD
			0	RELEASED PER EC OS13-0001-05	25AUG05	GP	JG



CABLE SUPPLIED BY CUSTOMER

STRAIN RELIEF STAPLE (1 SUPPLIED)
 MATERIAL: STEEL
 FINISH: BRIGHT TIN OVER NICKEL

MACHINE SCREW (2 SUPPLIED)
 #2-56 UNC X 6.35 [.250]

SPRING LATCH (2 SUPPLIED)
 MATERIAL: STAINLESS STEEL

CONNECTOR (MUST BE PURCHASED SEPARATELY)

UPPER BACKSHELL (1 SUPPLIED)
 MATERIAL: ZINC
 PLATING: NICKEL OVER COPPER

LOWER BACKSHELL (1 SUPPLIED)
 MATERIAL: ZINC
 PLATING: NICKEL OVER COPPER

1 11.18 [.440] MAX CABLE DIA
 2. PARTS PACKAGED AS A UNIT KIT.

**COPYRIGHT 2005
 TYCO ELECTRONICS CORP
 ALL RIGHTS RESERVED**

5749195-2
 PART NO

THIS DRAWING IS A CONTROLLED DOCUMENT.		DWN G.PETERS 25AUG05	Tyco Electronics Corporation Harrisburg, Pa 17105-3608	
DIMENSIONS: mm [INCHES]		CHK S.SHUEY 25AUG05		
TOLERANCES UNLESS OTHERWISE SPECIFIED:		APVD M.WALMSLEY 25AUG05	NAME	
0 PLC ± - 1 PLC ± - 2 PLC ± - 3 PLC ± 0.38[.015] 4 PLC ± - ANGLES ± -		PRODUCT SPEC -	INDIVIDUAL KIT, UNASSEMBLED, 68 POSITION, STRAIGHT EXIT, UNKEYED, AMPLIMITE .050 Series	
MATERIAL -		FINISH -	APPLICATION SPEC -	RESTRICTED TO -
		WEIGHT -	SIZE A3	CAGE CODE 00779
		CUSTOMER DRAWING	DRAWING NO C-5749195	REV 0
		SCALE 1:1	SHEET 1 OF 1	