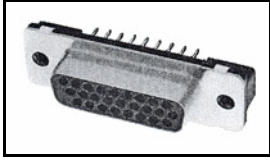


## 5749374-1 Product Details

[Share](#) [Print](#) [Email](#)




**5749374-1**

TE Internal Number: 5749374-1

 Active

[View 3D PDF](#)

### Standard Board Mount Connectors

 Always EU RoHS/ELV Compliant  
(Statement of Compliance)

### Product Highlights:

- 15 Positions
- Connector Style = Receptacle
- PCB Mounting Orientation = Vertical
- Product Series = HD-22
- With Mating Connector Lock

[View all Features](#)

### Quick Links

- ▶ [Pricing & Availability](#)
- ▶ [Search for Tooling](#)
- ▶ [Product Feature Selector](#)
- ▶ [Contact Us About This Product](#)

[Add to My Part List](#)

[Request Sample](#)

[Find Similar Products](#)

[Buy Product](#)

### Documentation & Additional Information

#### Product Drawings:

- [AMPLIMITE HD-22 15 POS RECEPTACLE, VERTICAL](#) (PDF, English)

#### Catalog Pages/Data Sheets:

- [AMPLIMITE Subminiature D Connectors - Straight Poste...](#) (PDF, English)

#### Product Specifications:

- [AMPLIMITE\\* HD-22 Front Metal Shell, PCB Mounted Conn...](#) (PDF, English)

#### Application Specifications:

- [AMPLIMITE HD-22 Straight Front Metal Shell Connectors](#) (PDF, English)

#### Instruction Sheets:

- None Available

#### CAD Files: (CAD Format & Compression Information)

- [2D Drawing](#) (DXF, Version C)
- [3D Model](#) (IGES, Version C)
- [3D Model](#) (STEP, Version C)

[List all Documents](#)

#### Additional Information:

- [Product Line Information](#)

#### Additional Product Images:

- [Product Photo](#)

#### Related Products:

- [Tooling](#)

### Product Features (Please use the Product Drawing for all design activity)

#### Product Type Features:

- PCB Mounting Orientation = Vertical
- Product Series = HD-22
- Mating Connector Lock = With
- Mating Connector Lock Type = Threaded Insert, 4-40 UNC
- PCB Mount Retention = Without
- Shell Type = Front Metal Shell
- Shell Size = 1
- Grounding Indents = Without
- Grounding Straps = Without
- PCB Mount Style = Through Hole
- Color Code = None
- Sealed = No
- Profile = Standard
- Post Size (mm [in]) = 0.66 [0.026]

#### Contact Features:

- Contact Plating, Mating Area, Material = Gold (30)
- Solder Tail Contact Plating = Tin over Nickel
- Contact Shape = Round
- Contact Base Material = Phosphor Bronze

#### Housing Features:

- Connector Style = Receptacle
- UL Flammability Rating = UL 94V-0
- Housing Material = Thermoplastic - GF

#### Configuration Features:

- Number of Positions = 15

#### Industry Standards:

- RoHS/ELV Compliance = RoHS compliant, ELV compliant

**Mechanical Attachment:**

- [Panel Mount Retention](#) = Without

**Termination Features:**

- [Grounding Clips](#) = Without
- [Termination Post Length \(mm \[in\]\)](#) = 3.18 [0.125]

**Dimensions:**

- [PCB Thickness, Recommended \(in \[mm\]\)](#) = 0.093 [2.36]

**Body Features:**

- Shell Material = Steel
- Shell Plating = Nickel

- [Lead Free Solder Processes](#) = Wave solder capable to 260°C, Wave solder capable to 240°C, Wave solder capable to 265°C
- RoHS/ELV Compliance History = Always was RoHS compliant

**Operation/Application:**

- Application = Standard

**Other:**

- Brand = AMP
- Comment = All connectors are preloaded with size 22 DF posted contacts

**Corporate Information**

[About TE](#)  
[Investors](#)  
[News Room](#)  
[Supplier Portal](#)  
[Careers](#)  
[Terms & Conditions](#)  
[Privacy Policy](#)

**Quick Links**

[Distributor Inventory](#)  
[Product Cross Reference](#)  
[Documents & Drawings](#)  
[Product Compliance Support Center](#)  
[Site Map](#)

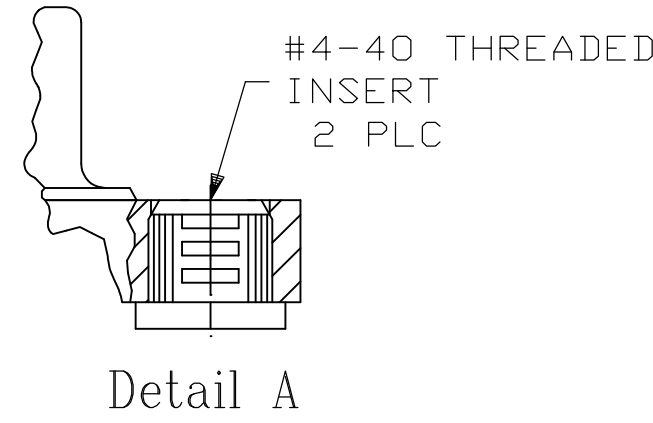
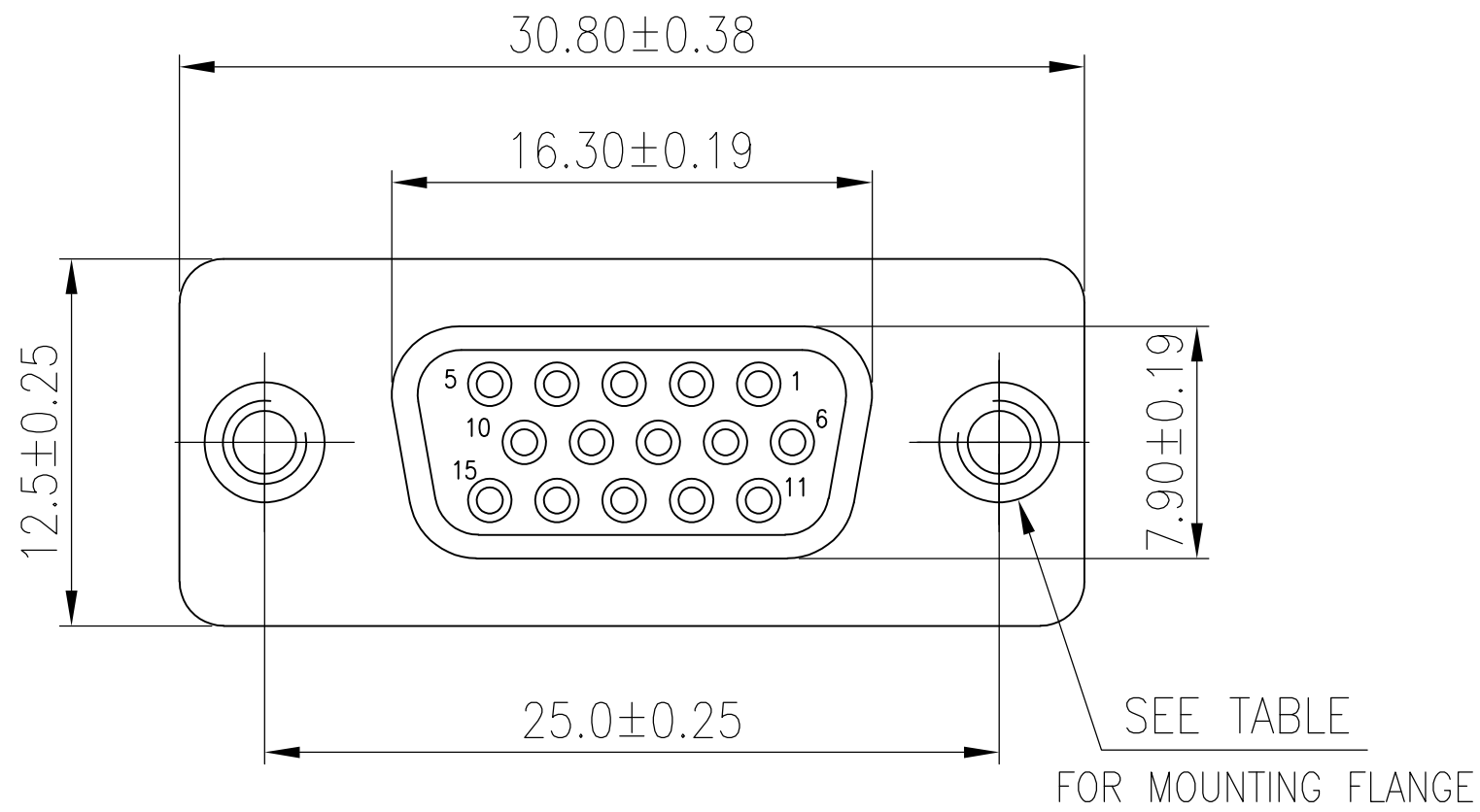
**Customer Support**

[Email or Chat With Us](#)  
[Find a Phone Number](#)  
[Knowledge Base](#)  
[Manage Your Account](#)

**Keep Me Informed**

THIS DRAWING IS UNPUBLISHED. RELEASED FOR PUBLICATION  
 © COPYRIGHT - By - ALL RIGHTS RESERVED.

LOC		DIST		REVISIONS			
P	LTR	DESCRIPTION		DATE	DWN	APVD	
GP	00	C1		REVISED PER ECO-11-004835	11MAR11	RK HMR	

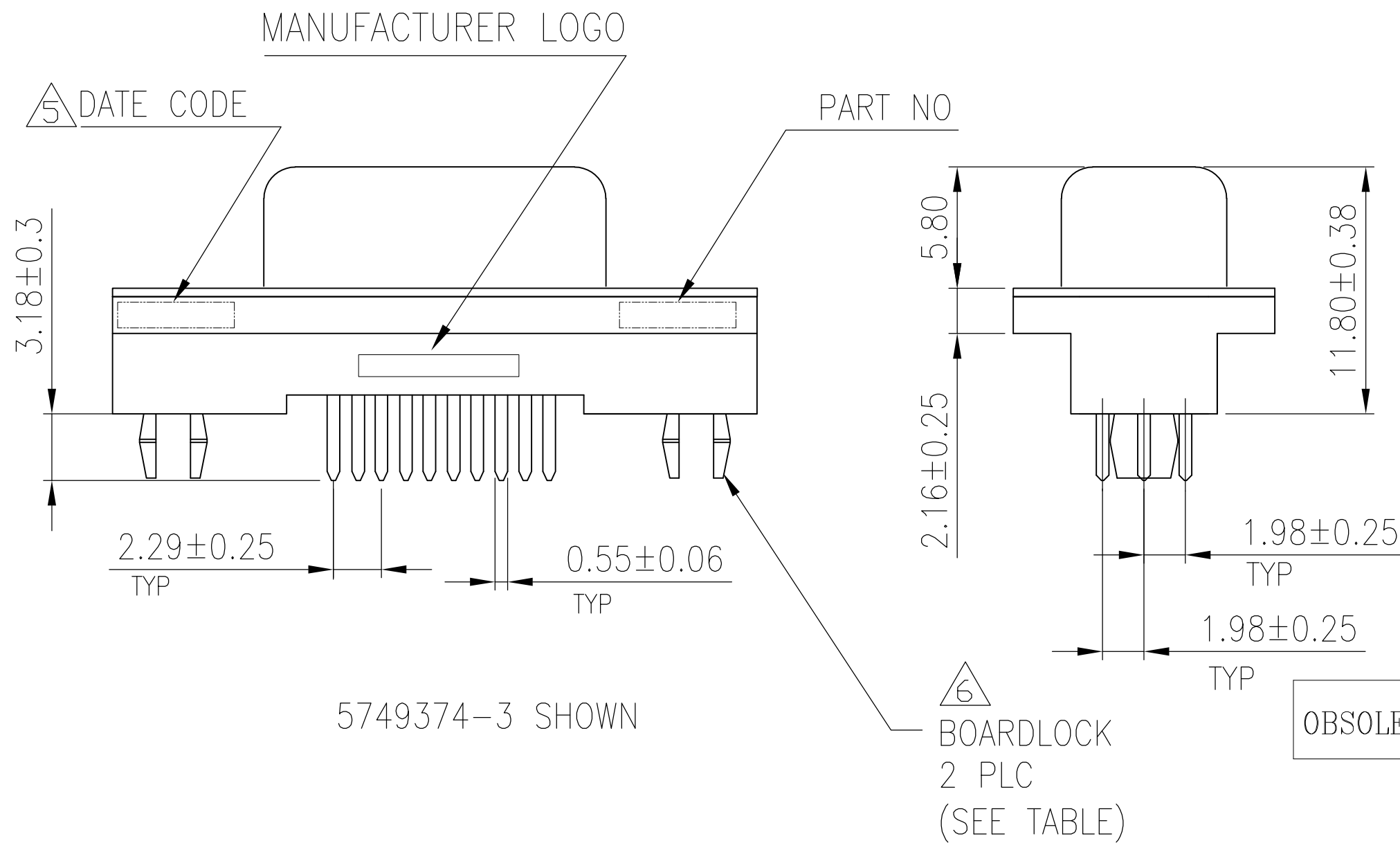


- HOUSING: PBT, 30% GF POLYESTER, UL 94V-0 RATED, COLOR BLACK.
- CONTACTS: PHOSPHOR BRONZE, GOLD PLATE IN MATING AREA (SEE TABLE), 120μ" MIN TIN PLATE ON SOLDER TAIL, BOTH OVER 50μ" MIN NICKEL UNDERPLATE.
- SHELL: STEEL, NICKEL PLATE.
- THREADED INSERTS AND BOARDLOCKS: BRASS, 30μ" MIN NICKEL PLATE (-1 & -7); 100μ" MIN TIN PLATE OVER 50μ" MIN NICKEL UNDERPLATE (-3).

△5 FOUR DIGIT DATE CODE IN THIS FORMAT.

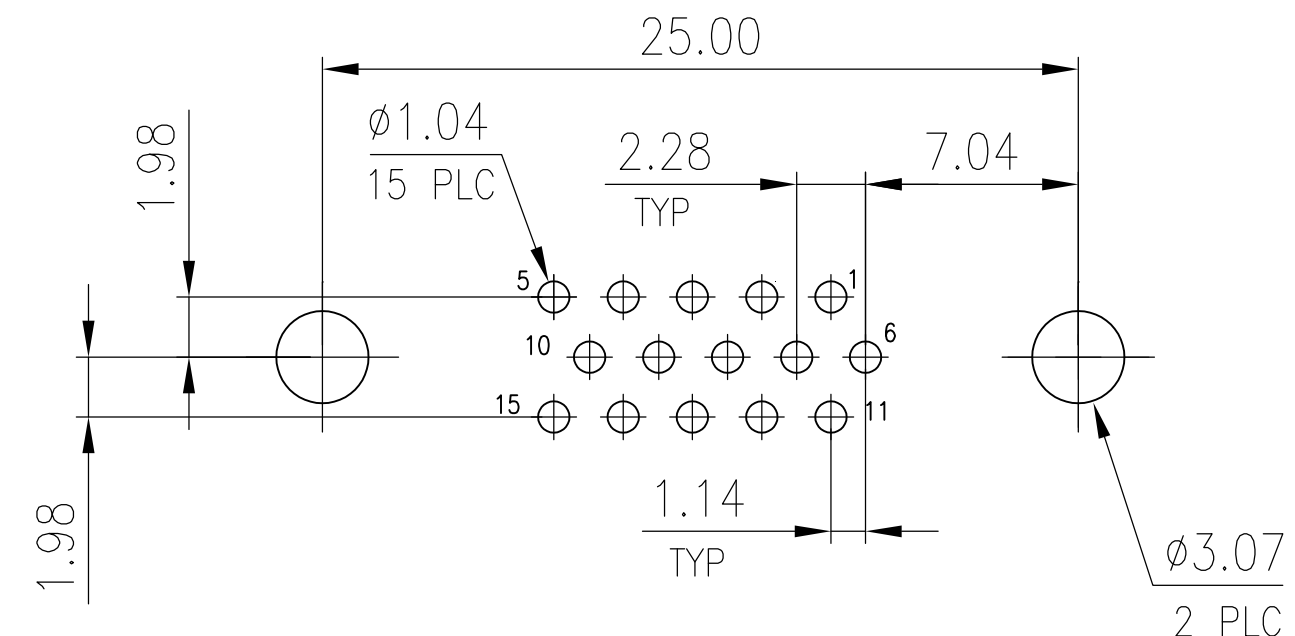


△6 MAXIMUM SHAFT LENGTH OF SCREWLOCK TO ALLOW THE SCREWLOCK HEAD TO SIT FLAT ON S-SUB IS 4.70. RECOMMENDED TE CONNECTIVITY SCREWLOCK IS 5747877-3.



5749374-3 SHOWN

△6 BOARDLOCK 2 PLC (SEE TABLE)



RECOMMENDED PCB LAYOUT

OBSOLETE	No	Tray	Detail A	15 μ" MIN GOLD	5749374-7
	Yes	Tray	Detail A	30 μ" MIN GOLD	△6 5749374-3
	No	Tray	Detail A	30 μ" MIN GOLD	5749374-1
BOARDLOCK		Packaging	Mounting Flange Config	Contact Mating Area Finish	Part No

THIS DRAWING IS A CONTROLLED DOCUMENT.		DWN R.RICHARDSON 31MAY05	<b>STE</b> TE Connectivity	
DIMENSIONS: mm		CHK S.BOLASH 31MAY05		
TOLERANCES UNLESS OTHERWISE SPECIFIED:		APVD M.WALMSLEY 31MAY05	NAME AMPLIMITE HD-22 15 POS RECEPTACLE, VERTICAL	
0 PLC ± -		PRODUCT SPEC 108-1092	SIZE CAGE CODE DRAWING NO RESTRICTED TO	
1 PLC ± 0.30		APPLICATION SPEC 114-13199	A2 00779	C=5749374
2 PLC ± 0.20		WEIGHT -	SCALE 1:1	SHEET 1 OF 1
3 PLC ± 0.10		CUSTOMER DRAWING	REV C1	
4 PLC ± -				
ANGLES ± 2°				
FINISH -				