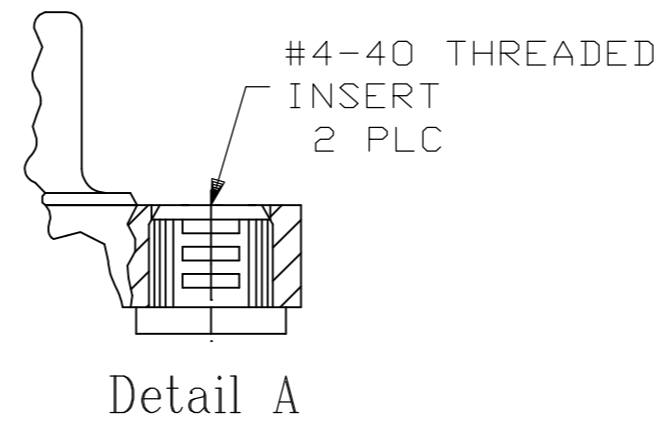
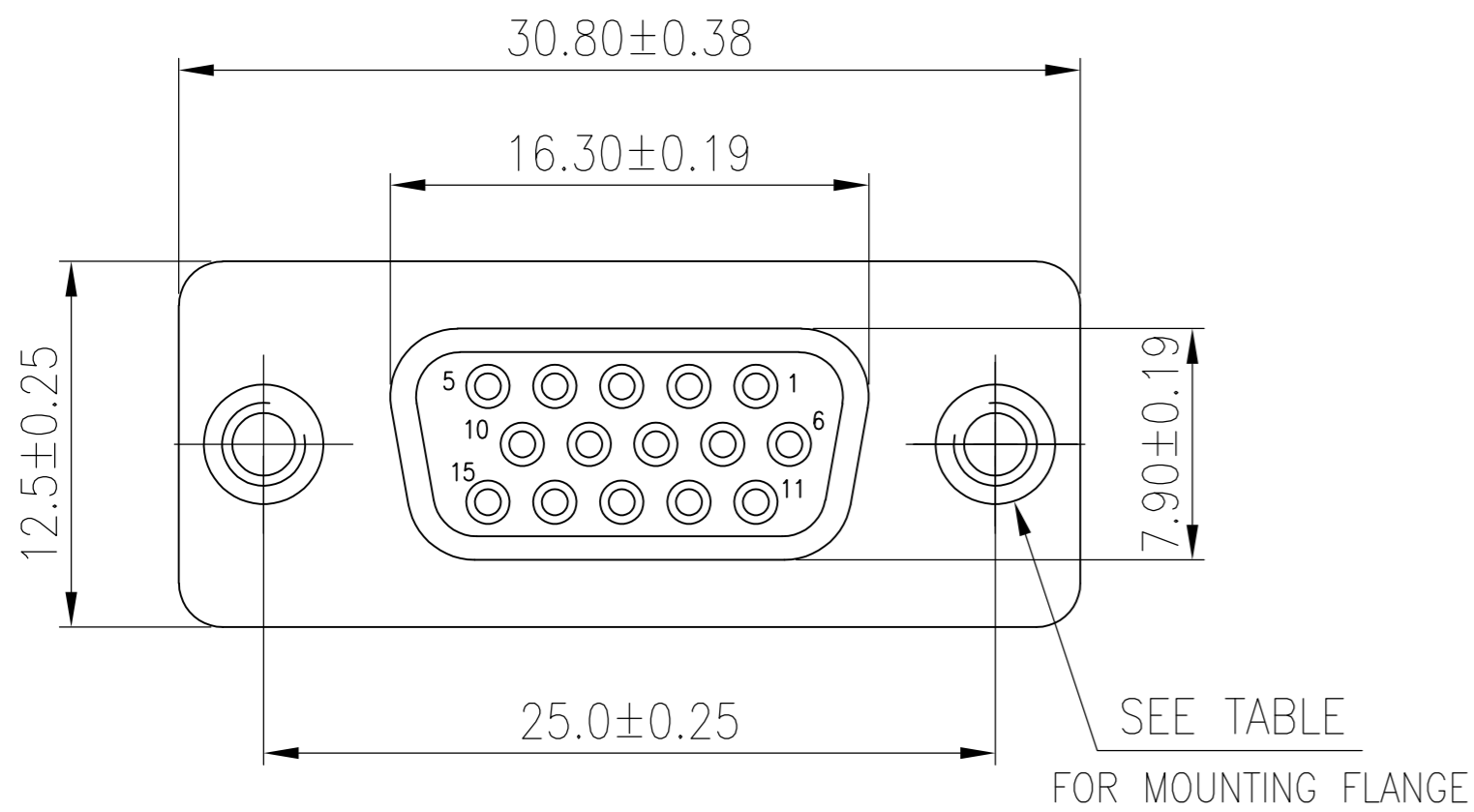


THIS DRAWING IS UNPUBLISHED. RELEASED FOR PUBLICATION  
 © COPYRIGHT BY TYCO ELECTRONICS CORPORATION. ALL RIGHTS RESERVED.

| LOC |     | DIST                      |  | REVISIONS |     |      |  |
|-----|-----|---------------------------|--|-----------|-----|------|--|
| P   | LTR | DESCRIPTION               |  | DATE      | DWN | APVD |  |
|     | B   | REVISED PER ECO-08-004037 |  | 25FEB08   | BM  | SB   |  |

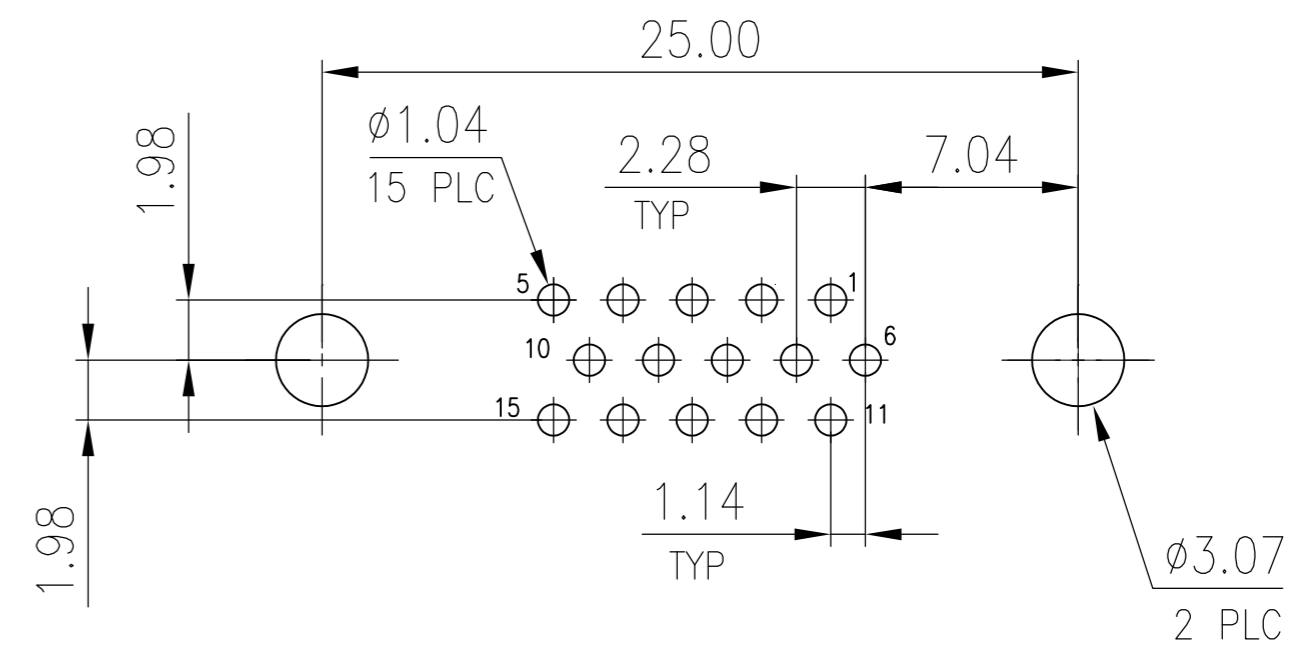
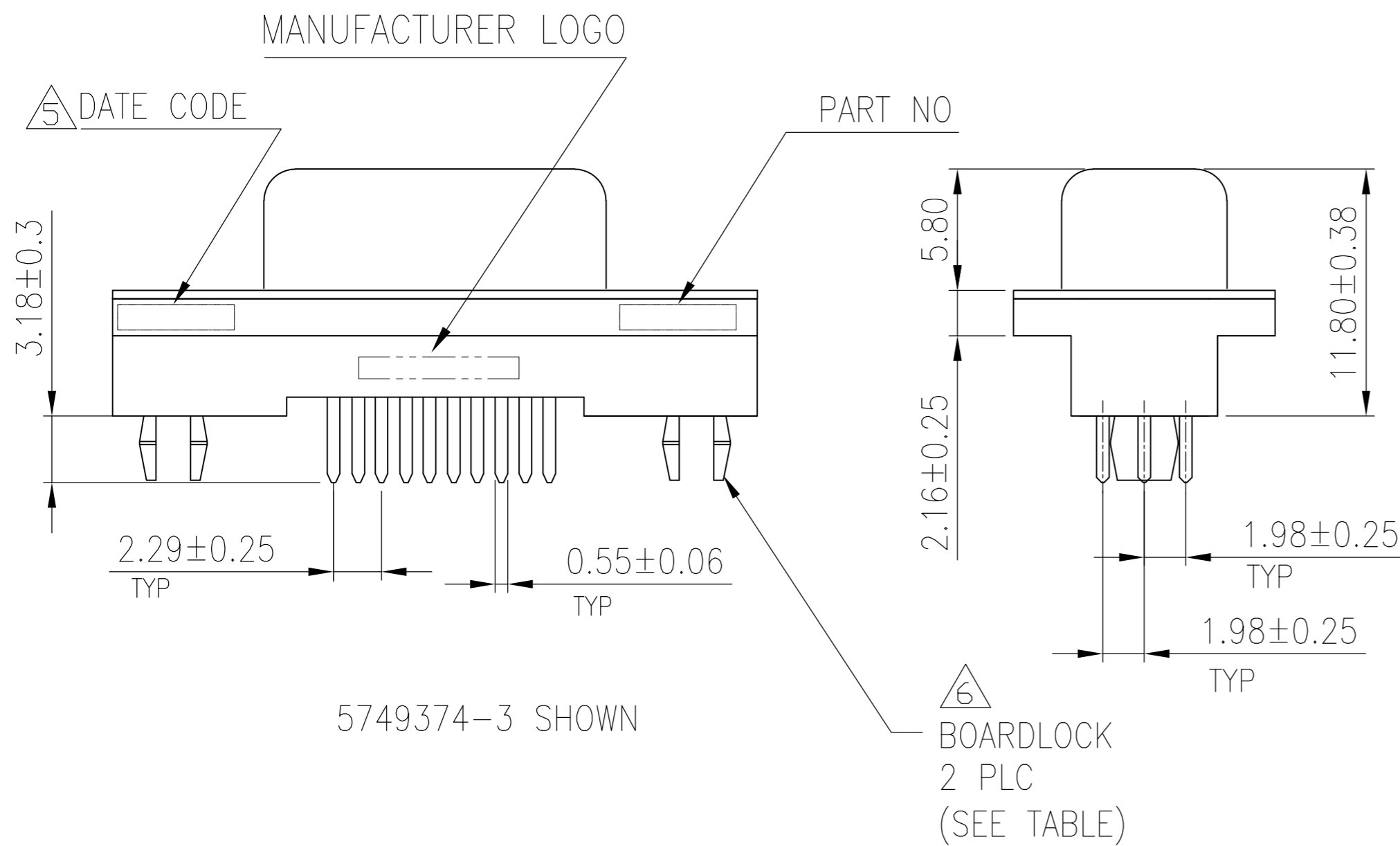


- HOUSING: PBT, 30% GF POLYESTER, UL 94V-0 RATED, COLOR BLACK.
- CONTACTS: PHOSPHOR BRONZE, GOLD PLATE IN MATING AREA (SEE TABLE), 120u" MIN TIN PLATE ON SOLDER TAIL, BOTH OVER 50u" MIN NICKEL UNDERPLATE.
- SHELL: STEEL, NICKEL PLATE.
- THREADED INSERTS AND BOARDLOCKS: BRASS, 30u" MIN NICKEL PLATE (-1 & -7); 100u" MIN TIN PLATE OVER 50u" MIN NICKEL UNDERPLATE (-3).

5 FOUR DIGIT DATE CODE IN THIS FORMAT.



6 MAXIMUM SHAFT LENGTH OF SCREWLOCK TO ALLOW THE SCREWLOCK HEAD TO SIT FLAT ON S-SUB IS 4.70. RECOMMENDED TYCO ELECTRONICS SCREWLOCK IS 5747877-3.



RECOMMENDED PCB LAYOUT

|           |           |                        |                            |           |
|-----------|-----------|------------------------|----------------------------|-----------|
| No        | Tray      | Detail A               | 15 μ" MIN GOLD             | 5749374-7 |
| Yes       | Tray      | Detail A               | 30 μ" MIN GOLD             | 5749374-3 |
| No        | Tray      | Detail A               | 30 μ" MIN GOLD             | 5749374-1 |
| BOARDLOCK | Packaging | Mounting Flange Config | Contact Mating Area Finish | Part No   |

|  |  |                          |   |               |
|--|--|--------------------------|---|---------------|
| THIS DRAWING IS A CONTROLLED DOCUMENT. |  | DWN R.RICHARDSON 31MAY05 | Tyco Electronics Corporation<br>Harrisburg, PA 17105-3608 |               |
| DIMENSIONS: mm                         |  | CHK S.BOLASH 31MAY05     | NAME  |               |
| TOLERANCES UNLESS OTHERWISE SPECIFIED: |  | APVD M.WALMSLEY 31MAY05  | AMPLIMITE HD-22<br>15 POS RECEPTACLE, VERTICAL            |               |
| 0 PLC ± -                              |  | PRODUCT SPEC             | SIZE  | RESTRICTED TO |
| 1 PLC ± 0.30                           |  | 108-1092                 | CAGE CODE   |               |
| 2 PLC ± 0.20                           |  | APPLICATION SPEC         | DRAWING NO  |               |
| 3 PLC ± 0.10                           |  | 114-13199                | SCALE   |               |
| 4 PLC ± -                              |  | WEIGHT                   | SHEET   |               |
| ANGLES ± 2°                            |  | CUSTOMER DRAWING         | REV   |               |
| FINISH                                 |  |                          | SCALE 1:1   | SHEET 1 OF 1  |