

5749699-7 Product Details




5749699-7

TE Internal Number: 5749699-7

 Active

.050 Series Cable Connectors (SCSI)

 Always EU RoHS/ELV Compliant
(Statement of Compliance)

Product Highlights:

- Connector
- Connector Style = Receptacle
- 68 Positions
- Wire/Cable Type = Round Jacketed Cable
- Applies To Cable

Documentation & Additional Information

Product Drawings:

- [KIT, RECEPTACLE CABLE CONNECTOR ASSEMBLY, AMPLIMITE ...](#) (PDF, English)

Catalog Pages/Data Sheets:

- [AMPLIMITE Subminiature D Connectors - .050 Series Co...](#) (PDF, English)

Product Specifications:

- [Connector, AMPLIMITE, Shielded, .050 Series](#) (PDF, English)

Application Specifications:

- [AMPLIMITE .050 Series Cable End Insulation Displacem...](#) (PDF, English)

Instruction Sheets:

- [Manual Arbor Frame Assembly 58024-1](#) (PDF, English)
- [Repair Tool 58430-1 for AMPLIMITE .050 Series Connectors](#) (PDF, English)
- [AMPLIMITE .050 Series Connectors \(Round-to-Flat Cable\)](#) (PDF, English)
- [Installation and Use of Mass Termination Tooling](#) (PDF, English)
- [Cover Lacing Fixture 91293-1 for AMPLIMITE .050 Seri...](#) (PDF, English)
- [Manual Miniature Applicator Frame Assembly 91295-1](#) (PDF, English)
- [Cover Closing Kits 543508-1 and 543526-1 and Staple ...](#) (PDF, English)
- [Tooling Kit 768900-1](#) (PDF, English)

CAD Files: (CAD Format & Compression Information)

- [2D Drawing](#) (DXF, Version 0)
- [3D Model](#) (IGES, Version 0)
- [3D Model](#) (STEP, Version 0)

[List all Documents](#)

Related Products:

- [Tooling](#)
- [Mating Products \(16\)](#)
- [Accessories \(2\)](#)

Product Features (Please use the Product Drawing for all design activity)

Product Type Features:

- [Product Type](#) = Connector
- [Wire/Cable Type](#) = Round Jacketed Cable
- [Wire Insulation Diameter \(mm \[in\]\)](#) = 0.74 - 0.91 [0.029 - 0.036]
- [Mating Connector Lock](#) = Without
- [Detent](#) = Without
- [Rails](#) = Without
- [Termination Cover](#) = With
- [Product Series](#) = Series III
- [Termination Method to Wire/Cable](#) = Insulation Displacement Crimp (IDC)

Contact Features:

- [Contact Base Material](#) = Phosphor Bronze
- [Contact Plating, Mating Area, Material](#) = Gold Flash over Palladium Nickel, Gold (30)

Housing Features:

- [Connector Style](#) = Receptacle
- [Housing Material](#) = Thermoplastic - GF
- [UL Flammability Rating](#) = UL 94V-0

Configuration Features:

- [Number of Positions](#) = 68

- Termination Cover Type = Standard
- Termination Cover Method = Unassembled
- Color = Black

Mechanical Attachment:

- Panel Mount Retention = Without

Electrical Characteristics:

- Shielded = Yes

Termination Features:

- Solder Tail Contact Plating = Tin over Nickel

Body Features:

- Wire Range (mm [AWG]) = 0.05-0.092 [30-28]
- Plug Shell Material = Steel
- Plug Shell Plating = Tin-Nickel Alloy

Number of Positions = 30

Industry Standards:

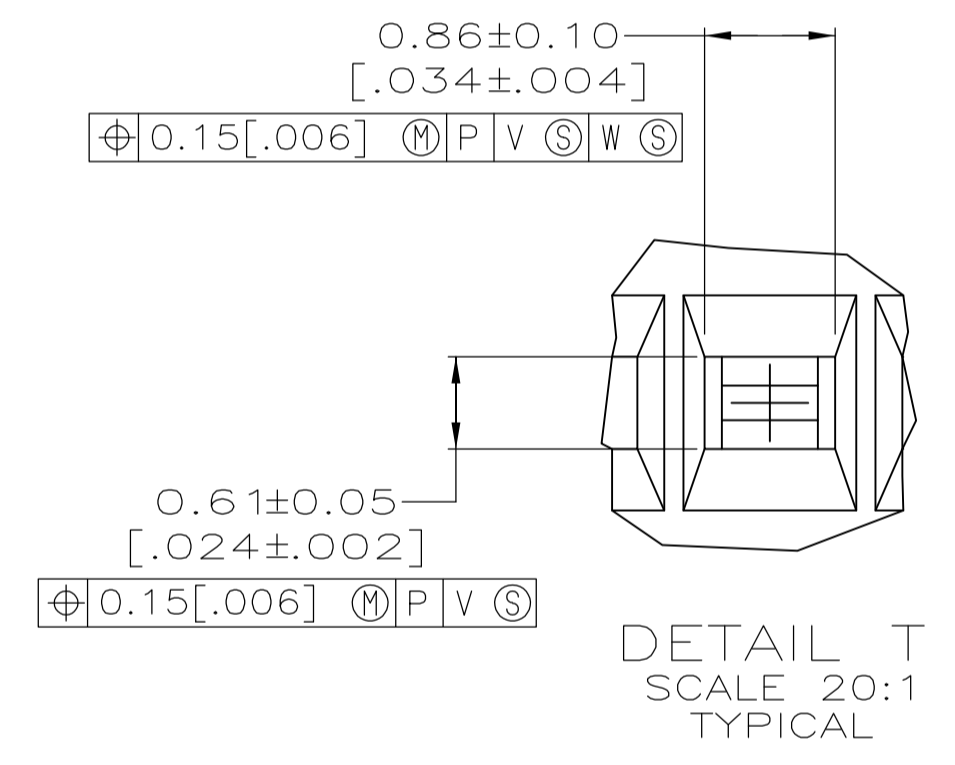
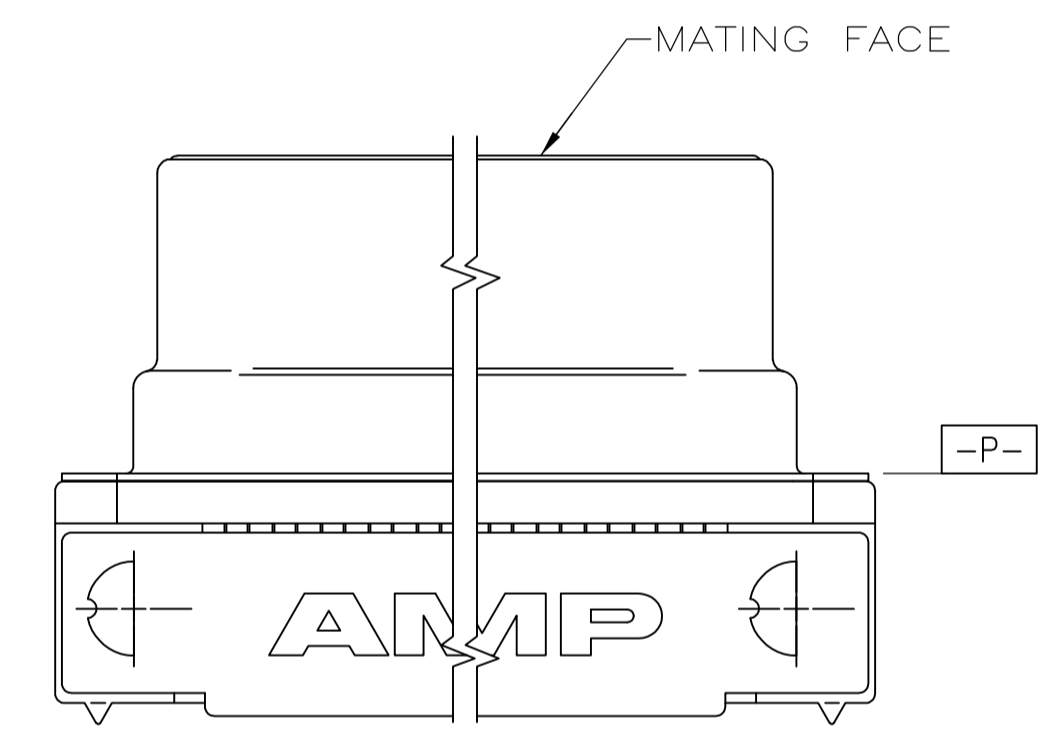
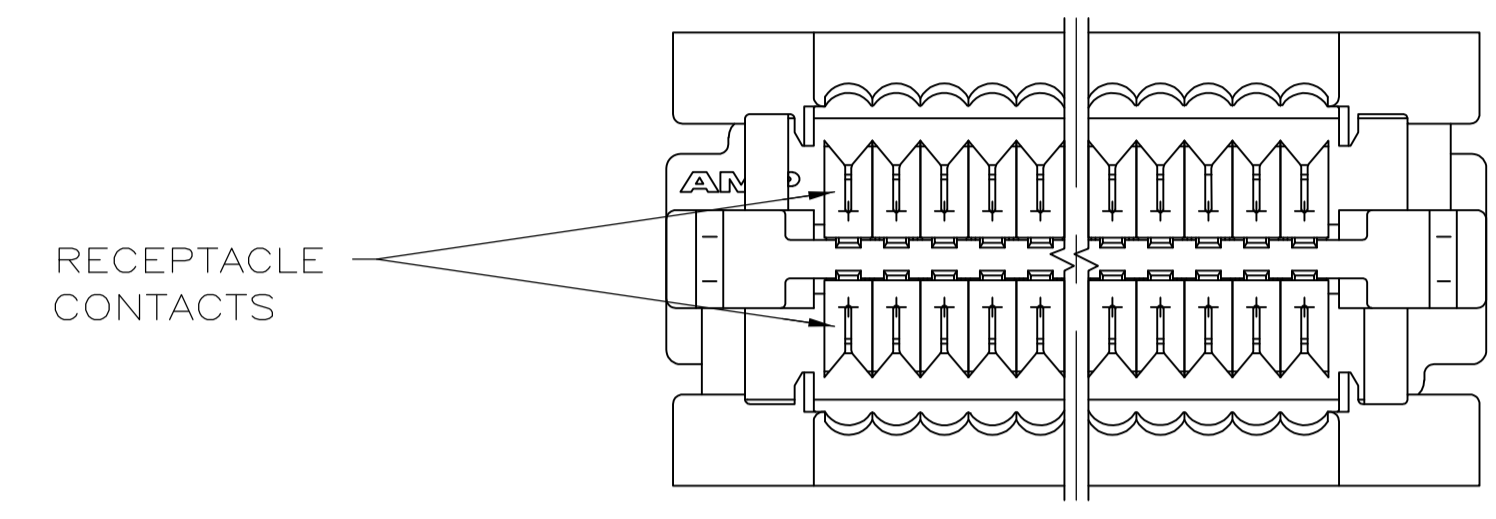
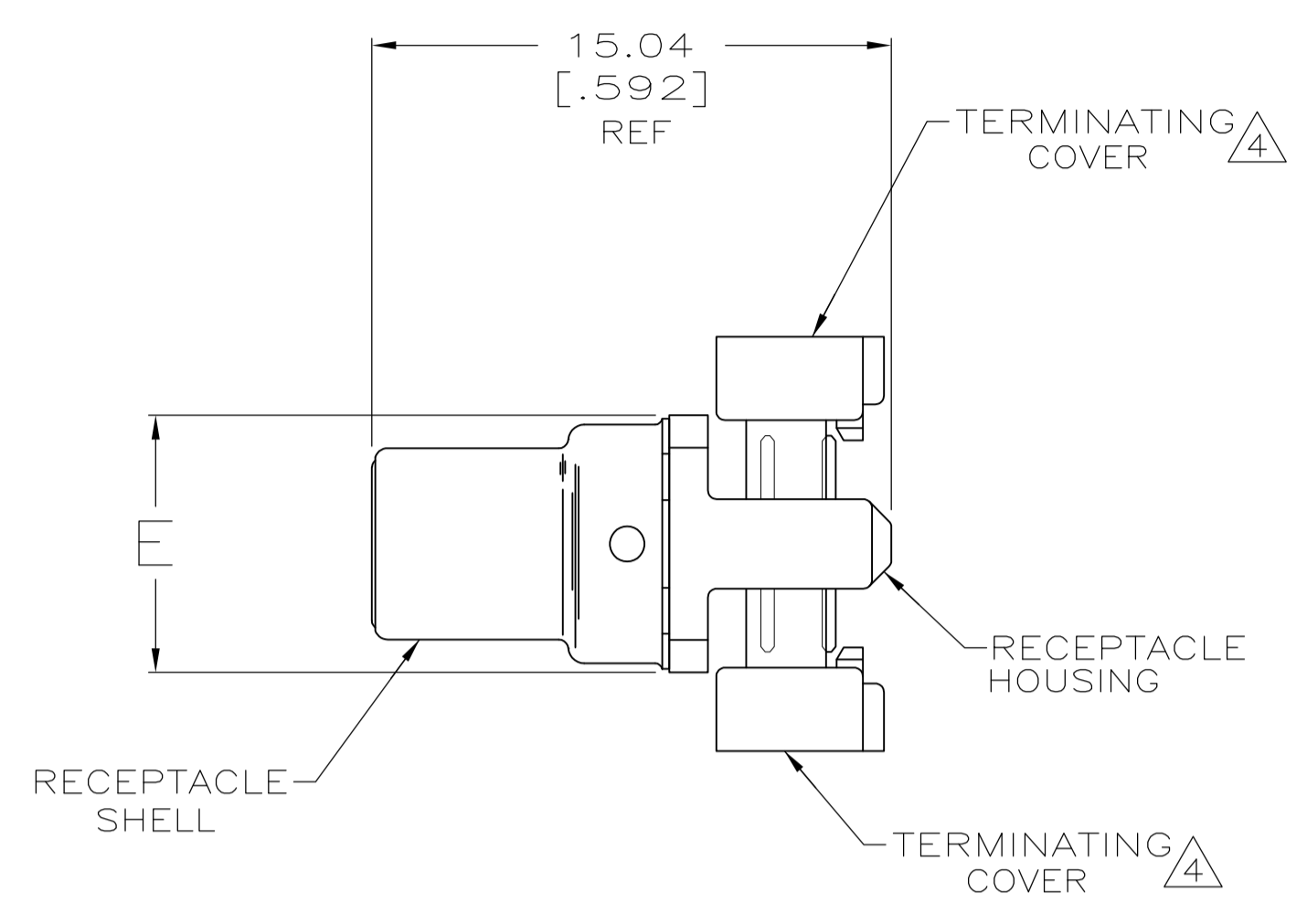
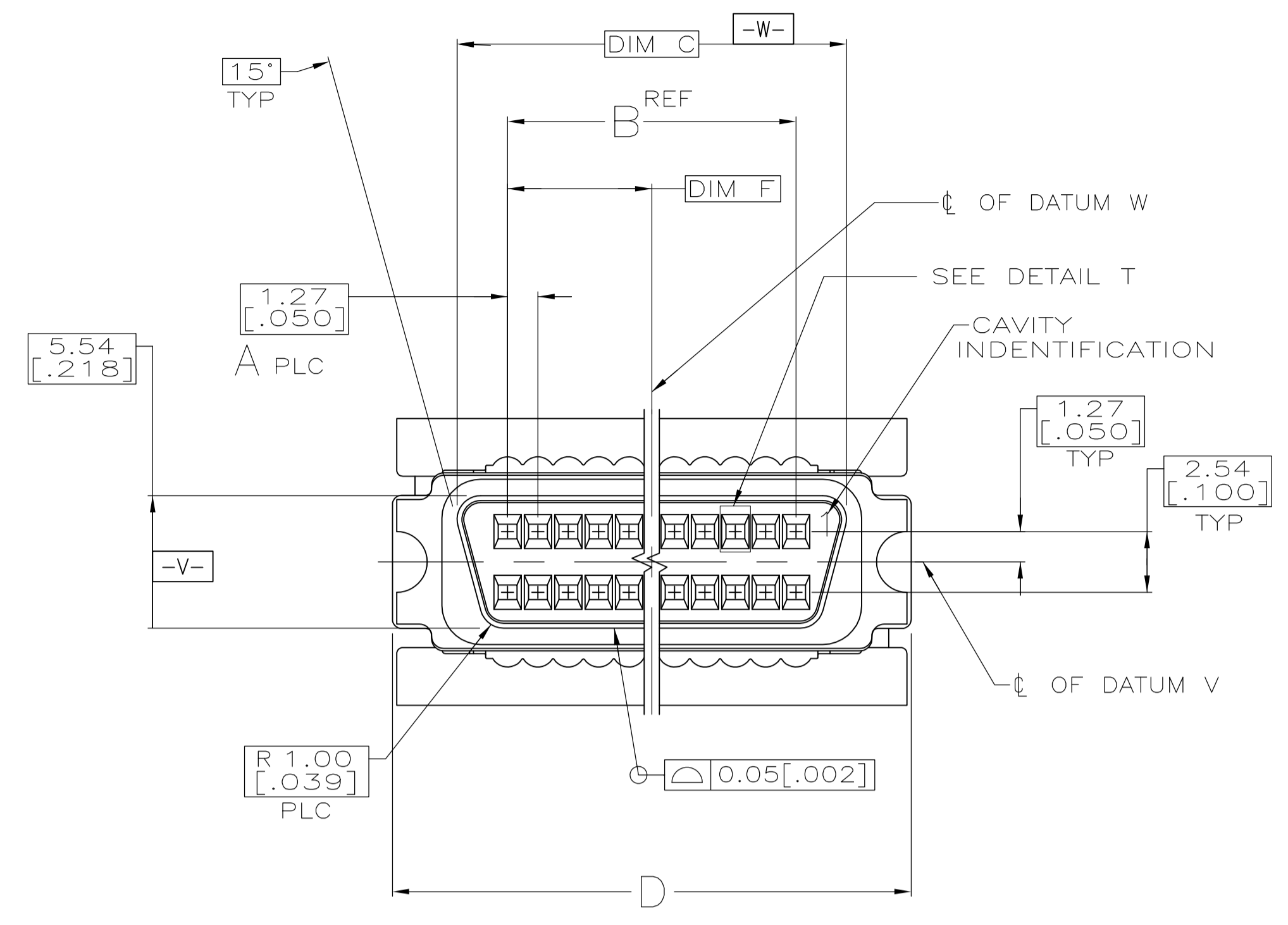
- RoHS/ELV Compliance = RoHS compliant, ELV compliant
- Lead Free Solder Processes = Not relevant for lead free process
- RoHS/ELV Compliance History = Always was RoHS compliant

Conditions for Usage:

- Applies To = Cable

Other:

- Brand = AMP
- Comment = Receptacle connector requires backshell kit for complete assembly



- 1 MATERIAL:
RECEPTACLE CONTACTS- PHOSPHOR BRONZE
RECEPTACLE SHELL- STEEL
RECEPTACLE HOUSING AND TERMINATING COVERS- UL V-0 RATED THERMOPLASTIC, COLOR: BLACK.
- 2 FINISH:
RECEPTACLE CONTACTS - EITHER 0.76µm [.000030] MINIMUM GOLD PLATE OR GOLD FLASH OVER PALLADIUM NICKEL PLATE, 0.76µm [.000030] MINIMUM TOTAL IN CONTACT AREA, 1.27µm [.000050] MINIMUM BRIGHT TIN PLATE IN TERMINATION AREA, ALL OVER 1.27µm [.000050] MINIMUM NICKEL.
RECEPTACLE SHELL- 5.08µm [.000200] MINIMUM BRIGHT NICKEL PLATE OVER 1.27µm [.000050] MINIMUM COPPER.
- 3. RECOMMENDED WIRE: 28 AWG OR 30 AWG, SOLID OR 7 STRANDED, PVC INSULATION WITH A 0.74-0.91 [.029-.036] INSULATION DIA.
- 4 TERMINATING COVERS ARE PACKAGED SEPERATELY.

**COPYRIGHT 2005
TE CONNECTIVITY CORP
ALL RIGHTS RESERVED**

31.12 [1.225]	9.47 [.373]	71.86 2.829	64.45 [2.616]	62.23 [2.450]	49	100	5749699-8
20.96 [.825]	7.44 [.293]	51.54 [2.029]	46.13 [1.816]	41.91 [1.650]	33	68	5749699-7
15.24 [.600]	7.44 [.293]	40.11 [1.579]	34.70 [1.366]	30.48 [1.200]	24	50	5749699-5
12.06 [.475]	7.44 [.293]	33.76 [1.329]	28.35 [1.116]	24.13 [.950]	19	40	5749699-4
F	E	D	C	B	A	NO OF POSN	PART NO

THIS DRAWING IS A CONTROLLED DOCUMENT.

DIMENSIONS: mm [INCHES]	TOLERANCES UNLESS OTHERWISE SPECIFIED:	DIN G. ATTADIA - 02-23-05 S. SHUEY - 02-23-05	APVD M. WALMSLEY - 02-23-05	NAME KIT, RECEPTACLE CABLE CONNECTOR ASSEMBLY, AMPLIMITE .050 Series
0 PLC ± -	1 PLC ± -	2 PLC ± 0.13 [.005]	3 PLC ± -	4 PLC ± -
MATERIAL	FINISH	SIZE A1	CAGE CODE 00779	DRAWING NO 5749699
CUSTOMER DRAWING		SCALE 4:1	SHEET 1 OF 1	REV C1

STE TE Connectivity