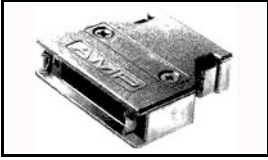


## 5749889-3 Product Details

[Share](#) [Print](#) [Email](#)



5749889-3

TE Internal Number: 5749889-3

 Active

[View 3D PDF](#)

### .050 Series Cable Connectors (SCSI)

 Always EU RoHS/ELV Compliant  
(Statement of Compliance)

#### Product Highlights:

- Hardware
- Hardware Type = Backshell Kit
- 50 Positions
- Applies To Wire/Cable
- Cable Insulation Diameter = 12.19 mm

[View all Features](#)

### Quick Links

- ▶ [Pricing & Availability](#)
- ▶ [Search for Tooling](#)
- ▶ [View Connectors \(10\)](#)
- ▶ [Product Feature Selector](#)
- ▶ [Contact Us About This Product](#)

[Add to My Part List](#)

[Request Sample](#)

[Find Similar Products](#)

[Buy Product](#)

### Documentation & Additional Information

#### Product Drawings:

- [BACKSHELL KIT, 50 POS, REDUCED WIDTH, STRAIGHT EXIT,...](#) (PDF, English)

#### Catalog Pages/Data Sheets:

- [AMPLIMITE Subminiature D Connectors - .050 Series Co...](#) (PDF, English)

#### Product Specifications:

- None Available

#### Application Specifications:

- None Available

#### Instruction Sheets:

- None Available

#### CAD Files: (CAD Format & Compression Information)

- [2D Drawing](#) (DXF, Version 0)
- [3D Model](#) (IGES, Version 0)
- [3D Model](#) (STEP, Version 0)

[List all Documents](#)

#### Related Products:

- [Tooling](#)
- [Connectors \(10\)](#)

### Product Features (Please use the Product Drawing for all design activity)

#### Product Type Features:

- [Product Type](#) = Hardware
- [Mating Connector Lock](#) = With
- [Mating Connector Lock Type](#) = Spring Latch
- [Product Series](#) = Series III
- Backshell Kit Exit Style = Straight (180°)
- Latching Spring Material = Stainless Steel

#### Mechanical Attachment:

- [Hardware Type](#) = Backshell Kit

#### Dimensions:

- Cable Insulation Diameter (mm [in]) = 12.19 [0.480]

#### Body Features:

- Backshell Material = Zinc

#### Configuration Features:

- Number of Positions = 50
- [Shielded](#) = Yes

#### Industry Standards:

- [RoHS/ELV Compliance](#) = RoHS compliant, ELV compliant
- [Lead Free Solder Processes](#) = Not relevant for lead free process
- RoHS/ELV Compliance History = Always was RoHS compliant

#### Conditions for Usage:

- Applies To = Wire/Cable

#### Packaging Features:

- Packaging Method = Individual Kit

- Backshell Plating = Nickel over Copper
- Screw Material = Stainless Steel
- Staple Material = Carbon Steel
- Staple Plating = Tin over Nickel
- Strain Relief Clip Material = Steel

**Other:**

- Brand = AMP
- Comment = Each backshell kit includes upper and lower backshells, two spring latches, one strain relief staple and two 2-56 screws. All are packaged unassembled; Meets SCSI-2 standards

---

**Corporate Information**

- [About TE](#)
- [Investors](#)
- [News Room](#)
- [Supplier Portal](#)
- [Careers](#)
- [Terms & Conditions](#)
- [Privacy Policy](#)

**Quick Links**

- [Distributor Inventory](#)
- [Product Cross Reference](#)
- [Documents & Drawings](#)
- [Product Compliance Support Center](#)
- [Site Map](#)

**Customer Support**

- [Email or Chat With Us](#)
- [Find a Phone Number](#)
- [Knowledge Base](#)
- [Manage Your Account](#)

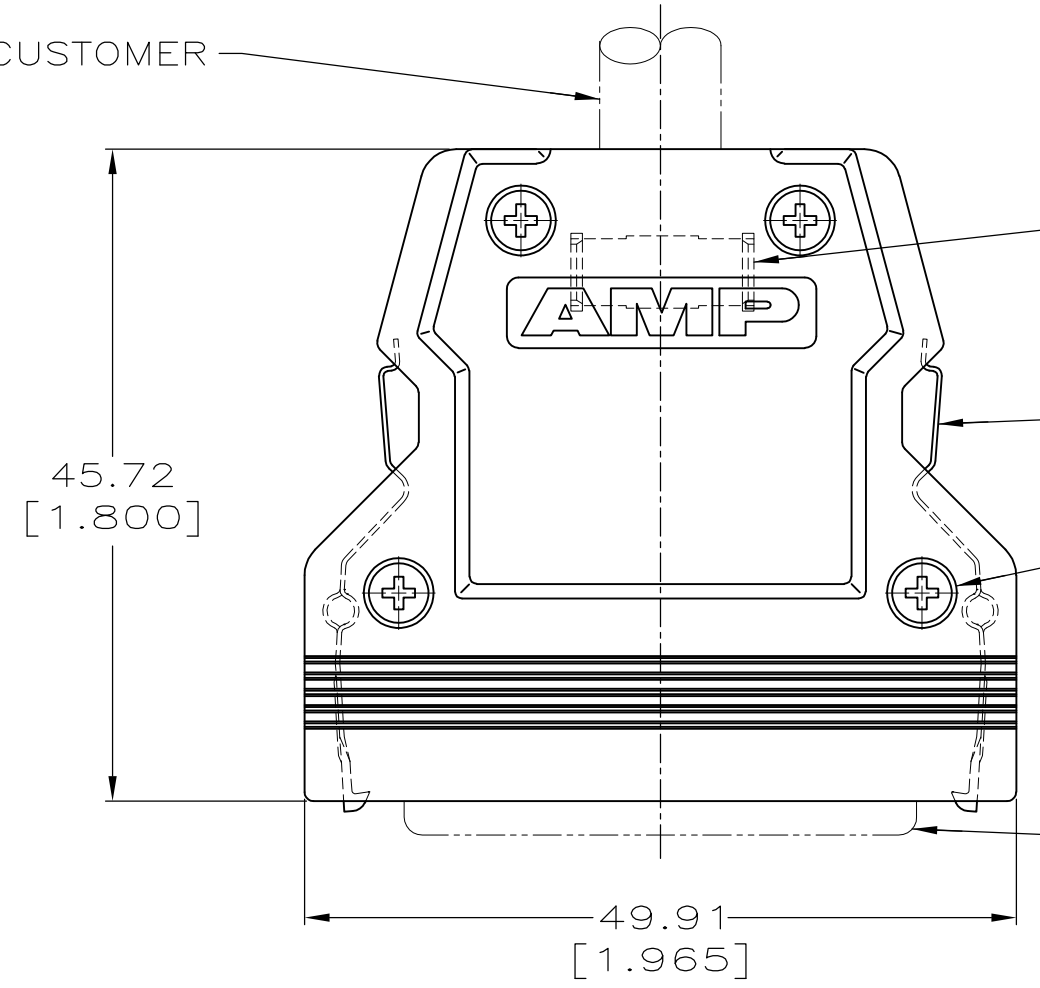
**Keep Me Informed**



THIS DRAWING IS UNPUBLISHED. RELEASED FOR PUBLICATION  
 © COPYRIGHT BY TYCO ELECTRONICS CORPORATION. ALL RIGHTS RESERVED.

LOC	DIST	REVISIONS			
P	LTR	DESCRIPTION	DATE	DWN	APVD
GP	00				
	0	RELEASED PER EC 0513-0287-05	17NOV05	JG	SS
	01	REVISED PER ECO-10-000444	20JAN10	KK	HMR

CABLE SUPPLIED BY CUSTOMER  
 Ø.480 MAX



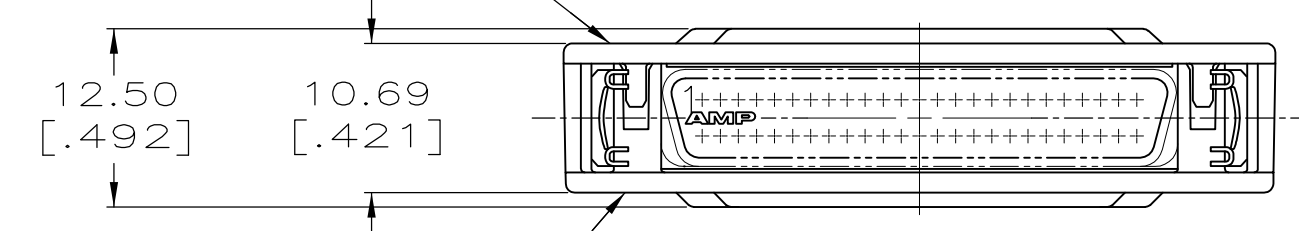
STRAIN RELIEF STAPLE (1 SUPPLIED)  
 MATERIAL: STEEL  
 FINISH: BRIGHT TIN OVER NICKEL

SPRING LATCH (2 SUPPLIED)  
 MATERIAL: STAINLESS STEEL

MACHINE SCREW (4 SUPPLIED)  
 #2-56 UNC X.250  
 STAINLESS STEEL

CONNECTOR (MUST BE PURCHASED SEPARATELY)

UPPER BACKSHELL (1 SUPPLIED)  
 MATERIAL: ZINC  
 FINISH: NICKEL OVER COPPER



LOWER BACKSHELL (1 SUPPLIED)  
 MATERIAL: ZINC  
 FINISH: NICKEL OVER COPPER

- 1 PARTS PACKAGED AS A UNIT KIT.
- 2 PARTS INDIVIDUALLY BULK PACKAGED & SHIPPED AS A UNIT PACKAGE.
- 3 OBSOLETE PARTS: OBSOLETE CIS STREAMLINING PER D.RENAUD/D.SINISI

3	OBSOLETE	2	-5749889-4-
		1	5749889-3
	PACKAGING		PART NO

**COPYRIGHT 2005  
 TYCO ELECTRONICS CORP  
 ALL RIGHTS RESERVED**

THIS DRAWING IS A CONTROLLED DOCUMENT.		DWN	J.GERACE	17NOV05	Tyco Electronics Corporation Harrisburg, PA 17105-3608
DIMENSIONS: mm[INCHES]		CHK	S.SHUEY	17NOV05	
TOLERANCES UNLESS OTHERWISE SPECIFIED:		APVD	M.WALMSLEY	17NOV05	
0 PLC	± -	PRODUCT SPEC		NAME	
1 PLC	± -	APPLICATION SPEC		BACKSHELL KIT, 50 POS, REDUCED WIDTH, STRAIGHT EXIT, UNKEYED, AMPLIMITE .050 SERIES	
2 PLC	± 0.38 [.015]	WEIGHT		SIZE	CAGE CODE
3 PLC	± -	FINISH		A2	00779
4 PLC	± -	SEE CALLOUTS		DRAWING NO	
ANGLES	± ± -	SEE CALLOUTS		G-5749889	
MATERIAL	SEE CALLOUTS	CUSTOMER DRAWING		RESTRICTED TO	
		SCALE		SHEET	REV
		2:1		1 OF 1	01

5749889

A