



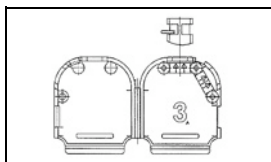
Have a Question?
Chat with a Product Information Specialist

What can we help you find?

[Products](#) [Industries](#) [Resources](#) [About TE](#) [My Account](#) [Innovation](#) [Support Center](#)

5749916-2 Product Details

[Share](#) [Print](#) [Email](#)



5749916-2

TE Internal Number: 5749916-2

Active

[View 3D PDF](#)

Cable Clamps

Always EU RoHS/ELV Compliant (Statement of Compliance)

Product Highlights:

- Backshell/Cable Clamp
- Cable Clamp Type = One-Piece Quick Snap
- Straight(180°)/120° Cable Exit Angle
- Cable Insulation Diameter = 6.35 - 13.97 mm
- Shell Size = 4

[View all Features](#)

Quick Links

- ▶ [Pricing & Availability](#)
- ▶ [Search for Tooling](#)
- ▶ [Product Feature Selector](#)
- ▶ [Contact Us About This Product](#)

[Add to My Part List](#) [Request Sample](#) [Find Similar Products](#) [Buy Product](#)

Documentation & Additional Information

Product Drawings:

- [CABLE CLAMP KIT, UNASSEMBLED, SIZE 4, QUIK-SNAP, 120...](#) (PDF, English)

Catalog Pages/Data Sheets:

- [AMPLIMITE Subminiature D Connectors - Cable Connectors](#) (PDF, English)

Product Specifications:

- None Available

Application Specifications:

- None Available

Instruction Sheets:

- None Available

CAD Files: (CAD Format & Compression Information)

- [2D Drawing](#) (DXF, Version A)
- [3D Model](#) (IGES, Version A)
- [3D Model](#) (STEP, Version A)

[List all Documents](#)

Additional Information:

- [Product Line Information](#)

Related Products:

- [Tooling](#)

Product Features (Please use the Product Drawing for all design activity)

Product Type Features:

- [Product Type](#) = Backshell/Cable Clamp
- [Cable Clamp Type](#) = One-Piece Quick Snap
- [Shell Size](#) = 4
- [Screws and Retainer Clips](#) = With
- [Grommets](#) = Without
- [Thread Size](#) = None

Electrical Characteristics:

- [Shielded](#) = No

Dimensions:

- [Cable Insulation Diameter](#) (mm [in]) = 6.35 - 13.97 [0.250 - 0.550]

Body Features:

- [Cable Exit Angle](#) = Straight(180°)/120°
- [Cable Clamp Material](#) = Polypropylene
- [Shield Plating](#) = None
- [Retainer Clip Material](#) = Stainless Steel

Industry Standards:

- [RoHS/ELV Compliance](#) = RoHS compliant, ELV compliant
- [Lead Free Solder Processes](#) = Not relevant for lead free process
- [RoHS/ELV Compliance History](#) = Always was RoHS compliant

Packaging Features:

- [Packaging Method](#) = Individual Kit

Other:

- [Brand](#) = AMP
- [Comment](#) = For metal-shell connectors only.; Kit Contains: 1 Hinged Cable Clamp, 2 Self-tapping Screws, 1 Strain Relief Clip, 1 Cable Exit Gate Plug (Used to close unused exit), 2 Retainer Clips and 2 Retainer Screws.

Corporate Information

- [About TE](#)
- [Investors](#)
- [News Room](#)
- [Supplier Portal](#)

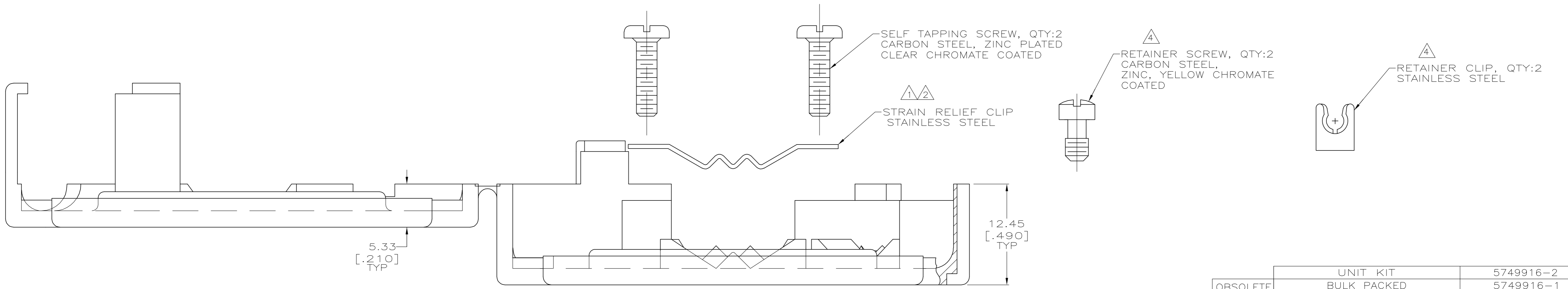
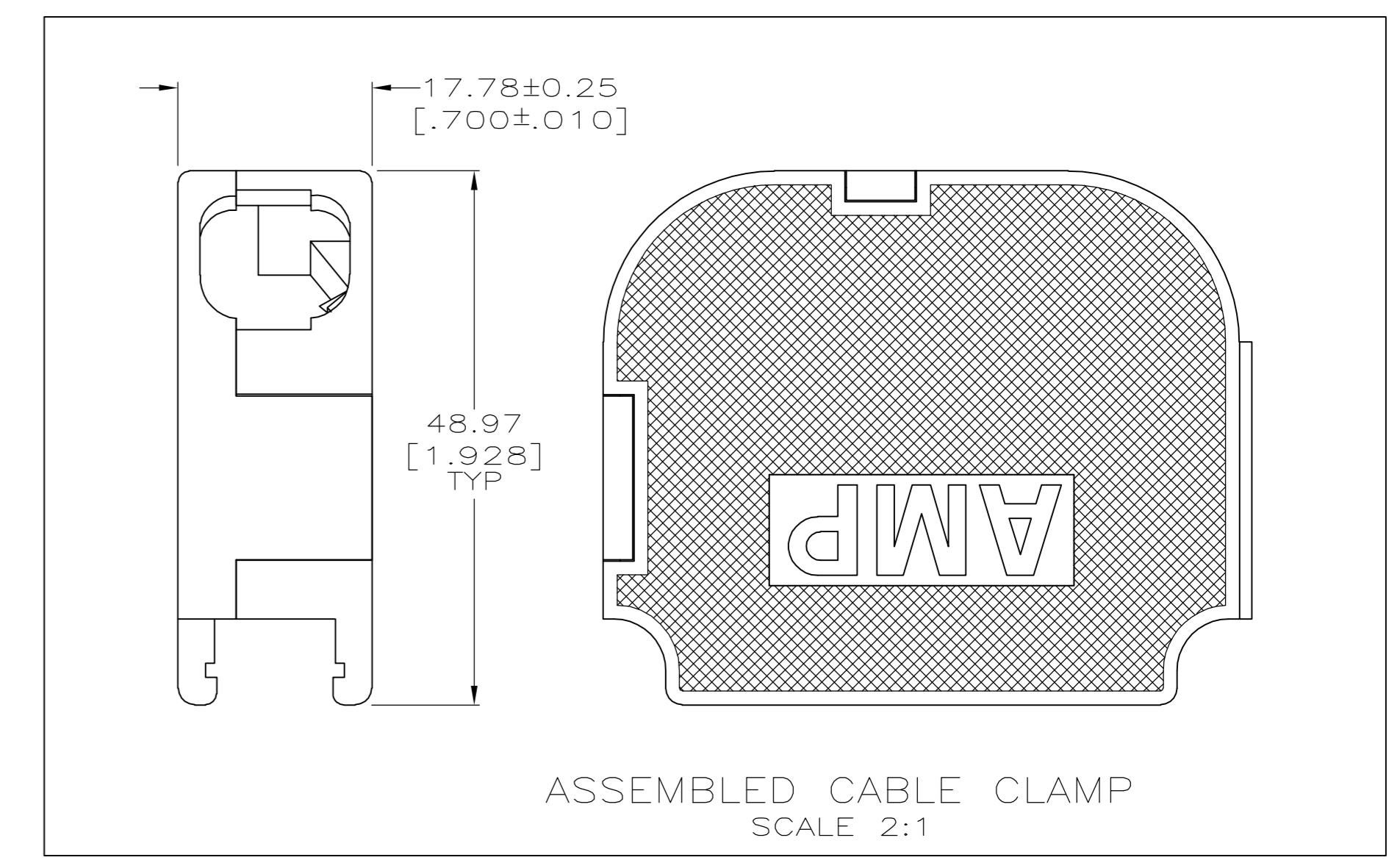
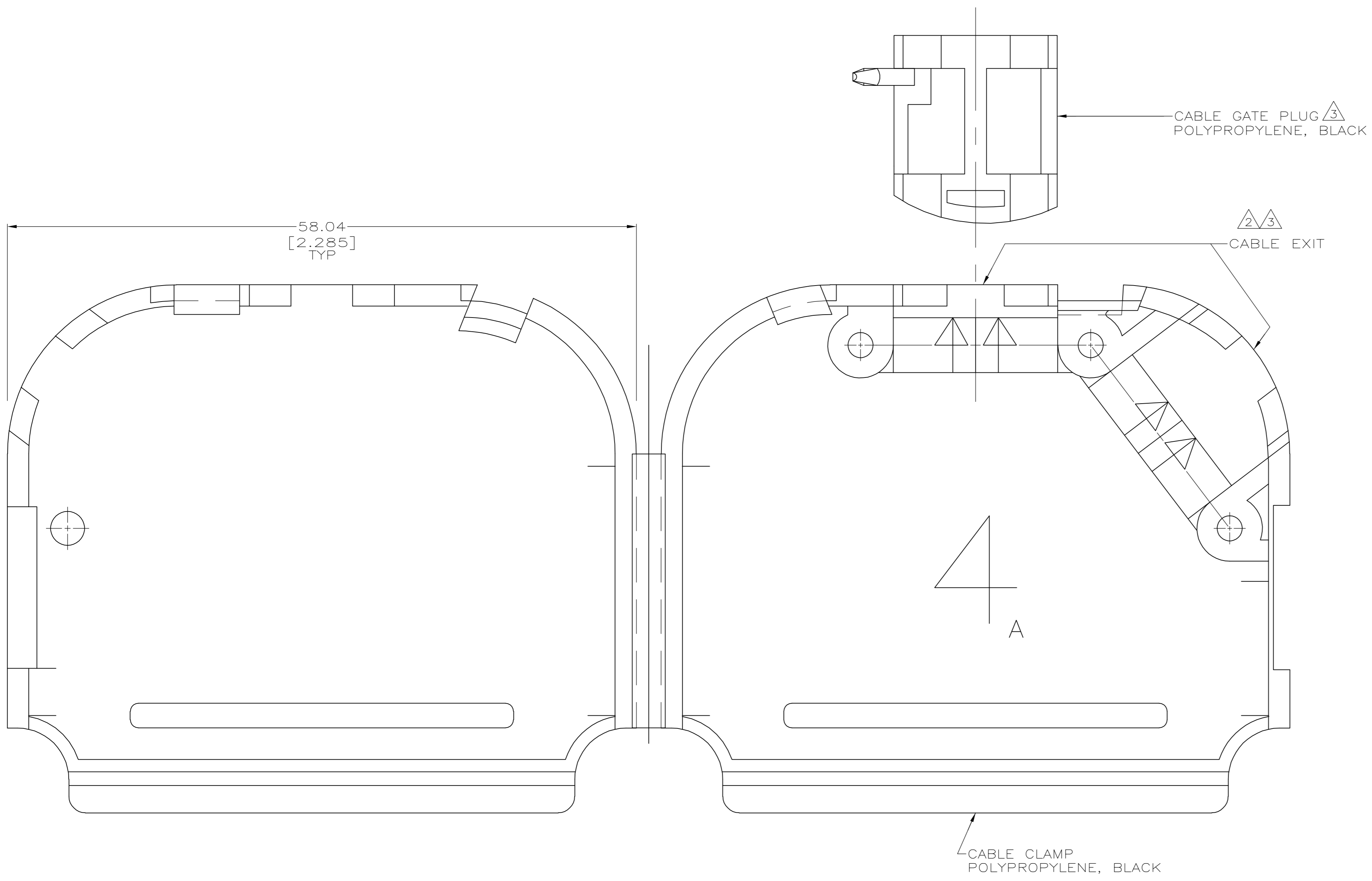
Quick Links

- [Distributor Inventory](#)
- [Product Cross Reference](#)
- [Documents & Drawings](#)
- [Product Compliance Support Center](#)

Customer Support

- [Email or Chat With Us](#)
- [Find a Phone Number](#)
- [Knowledge Base](#)
- [Manage Your Account](#)

LOC		DIST		REVISIONS			
P	LTR	DESCRIPTION	DATE	DWN	APVD		
A		REVISED PER ECN 0513-0326-05	24JUL06	JDP	CWR		



- ⚠️ CLIP CAN BE INSTALLED AS SHOWN FOR SMALL DIAMETER CABLE, OR REVERSED FOR LARGE DIAMETER CABLE.
- ⚠️ CLIP MAY BE USED AT EITHER CABLE EXIT.
- ⚠️ CABLE GATE PLUG TO BE PLACED IN CABLE EXIT NOT BEING USED.
- ⚠️ RETAINER SCREWS AND RETAINER CLIPS PROVIDED WITH THIS KIT FOR USE WITH METAL SHELL CONNECTORS.
- 5. CABLE DIAMETER RANGE = 6.35-13.97 [.250-.550].

OBSOLETE	UNIT KIT	5749916-2
	BULK PACKED	5749916-1
	PACKAGING	PART NUMBER
THIS DRAWING IS A CONTROLLED DOCUMENT.		DWN: R. RICHARDSON 18SEP05 CHK: C. ROHDE 18SEP05 APVD: M. WALMSLEY 18SEP05 NAME: Tyco Electronics Corporation Harrisburg, PA 17105-3608
DIMENSIONS: INCHES TOLERANCES UNLESS OTHERWISE SPECIFIED: 0 PLC ± - 1 PLC ± - 2 PLC ± 0.13 [.005] 3 PLC ± - 4 PLC ± - ANGLES ± -		PRODUCT SPEC: CABLE CLAMP KIT, UNASSEMBLED, SIZE 4, QUIK-SNAP, 120° & 180° CABLE EXIT, AMPLIMITE APPLICATION SPEC: - SIZE: A1 CAGE CODE: 00779 DRAWING NO: 5749916 RESTRICTED TO: -
MATERIAL: SEE CALLOUTS		WEIGHT: - CUSTOMER DRAWING: - SCALE: 4:1 SHEET: 1 OF 1 REV: A