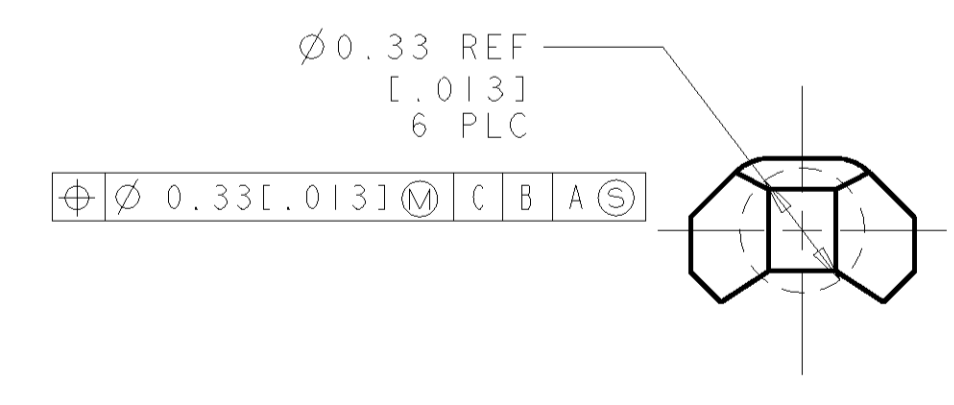
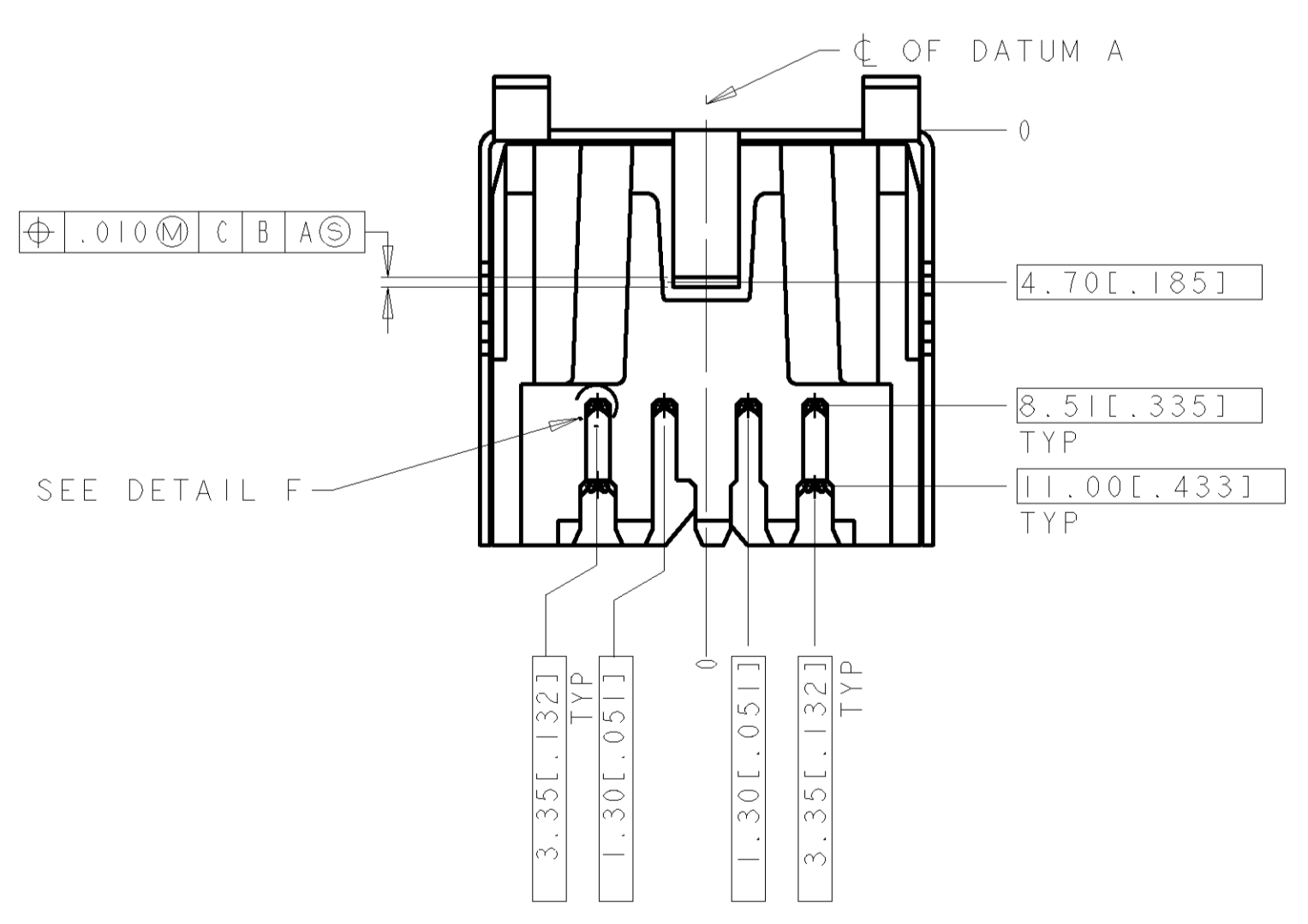
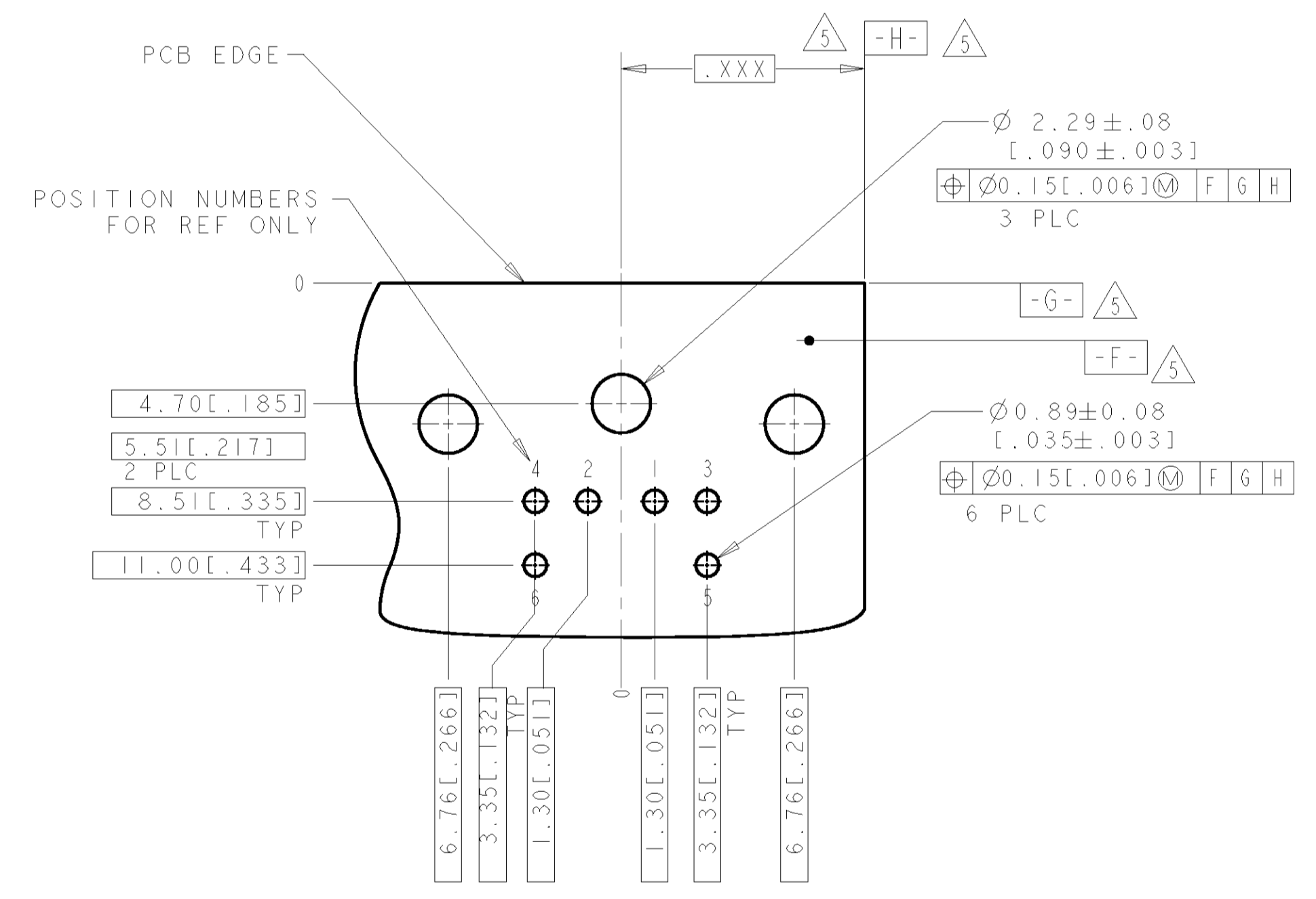
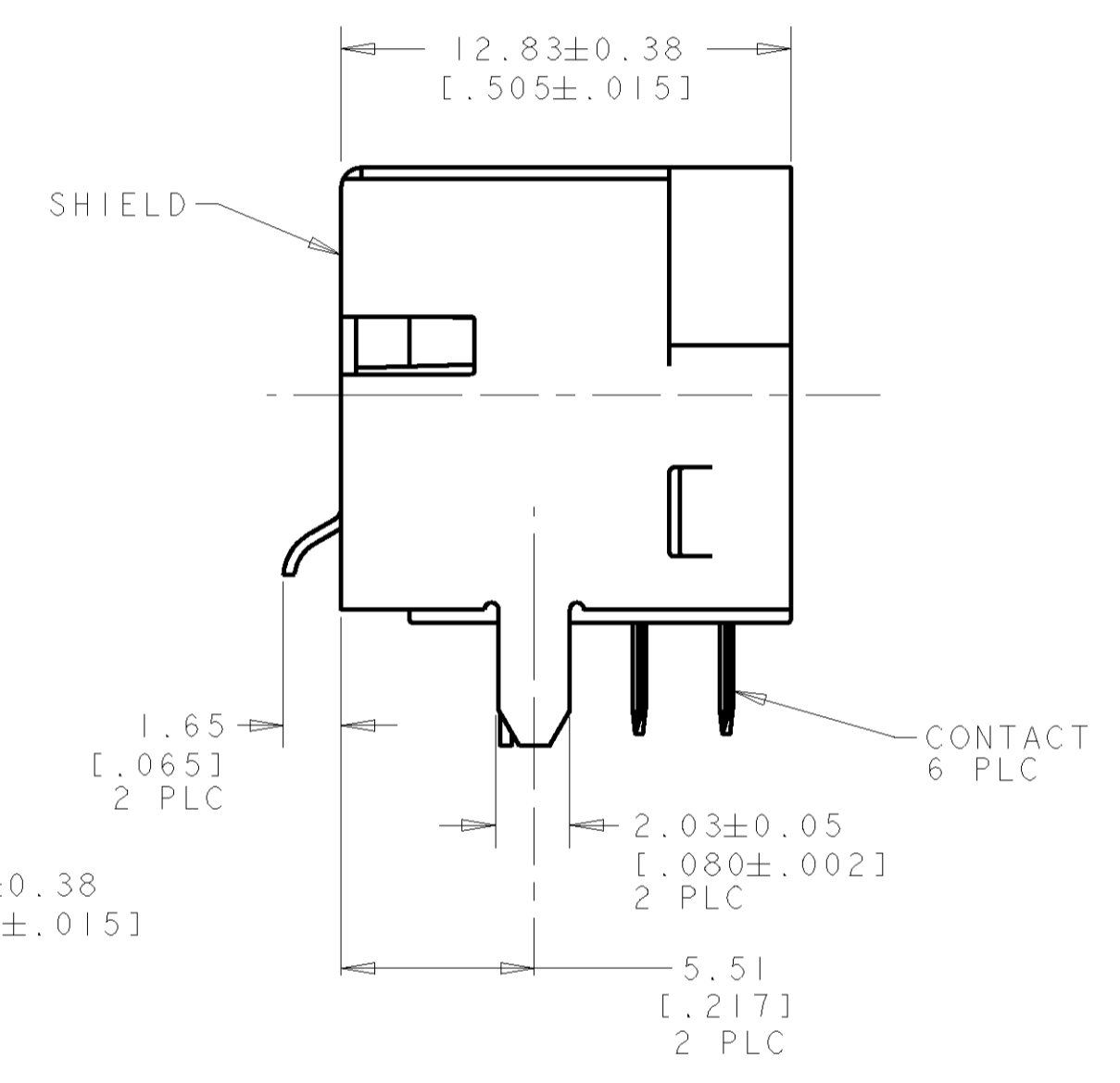
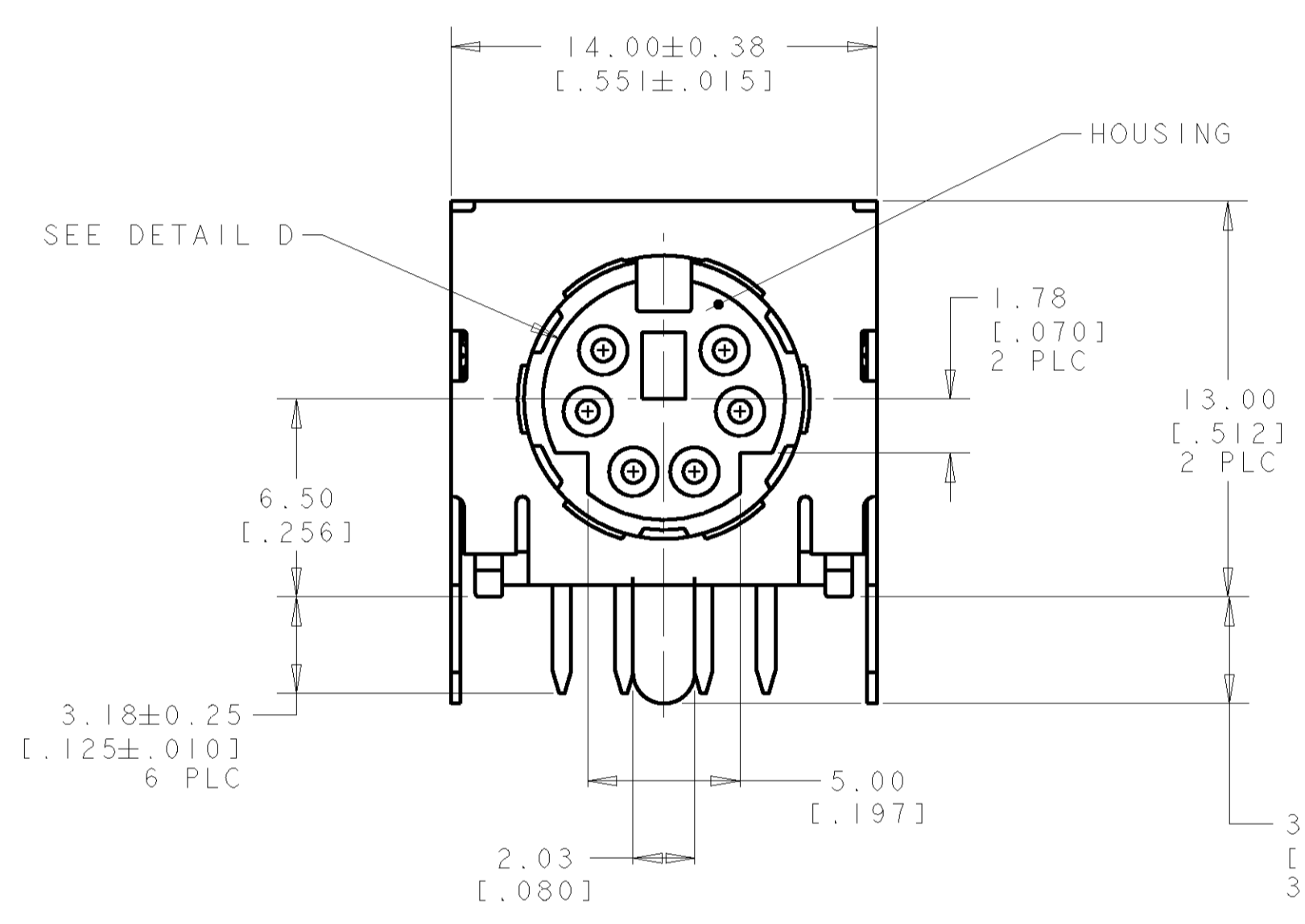


- 1 SHIELD & CONTACTS: COPPER ALLOY.  
HOUSING: POLYESTER, UL 94V-0 RATED, BLACK.
- 2 0.76  $\mu\text{m}$  [.000030] MIN GOLD FOR A LENGTH OF 1.27 [.050] MIN FROM MATING END, 3.05  $\mu\text{m}$  [.000120] MIN MATTE-TIN ON OPPOSITE END, BOTH OVER 1.27  $\mu\text{m}$  [.000050] MIN NICKEL.
- 3 1.50-4.00  $\mu\text{m}$  [.000059-.000158] THICK BRIGHT TIN.
- 4 GOLD PLATING PER MIL-G-45204, TIN PLATING PER MIL-T-10727, NICKEL PLATING PER QQ-N-290.
- 5 DATUMS AND BASIC DIMENSION SUPPLIED BY CUSTOMER.



DETAIL F  
SCALE 50:1

RECOMMENDED PC BOARD LAYOUT  
BOTTOM VIEW

P/N: 5750071-1 AS SHOWN

DIMENSIONS: mm [INCHES]		TOLERANCES UNLESS OTHERWISE SPECIFIED:		DWN: WYLEE 05JAN2005		TE Connectivity	
Ø	±	PLC	±	CHK: SF LEONG	NAME: RECEPTACLE ASSY. FRONT PANEL		108-1225 APPLICATION SPEC
PLC	±	PLC	±	APD: SF LEONG	GROUNDING, 6 POS, RIGHT ANGLE, MINIATURE CIRCULAR DIN		
PLC	±	PLC	±	APD: SF LEONG	SIZE: A1		CAGE CODE: 00779 DRAWING NO: 5750071
PLC	±	PLC	±	APD: SF LEONG	SCALE: 5:1		
MATERIAL	FINISH	WEIGHT	ANGLE	CUSTOMER DRAWING		SHEET 1 OF 1 REV P	