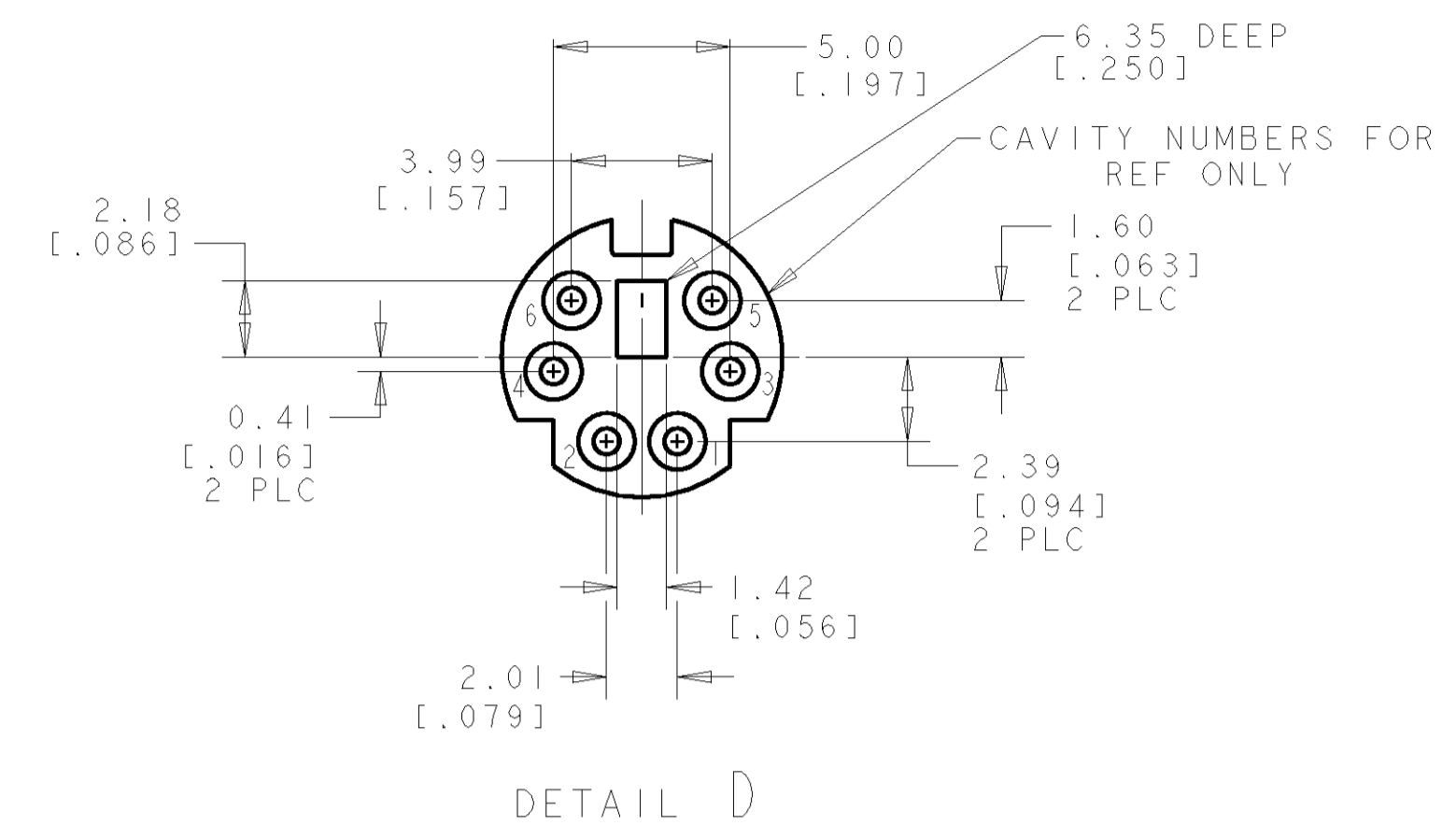
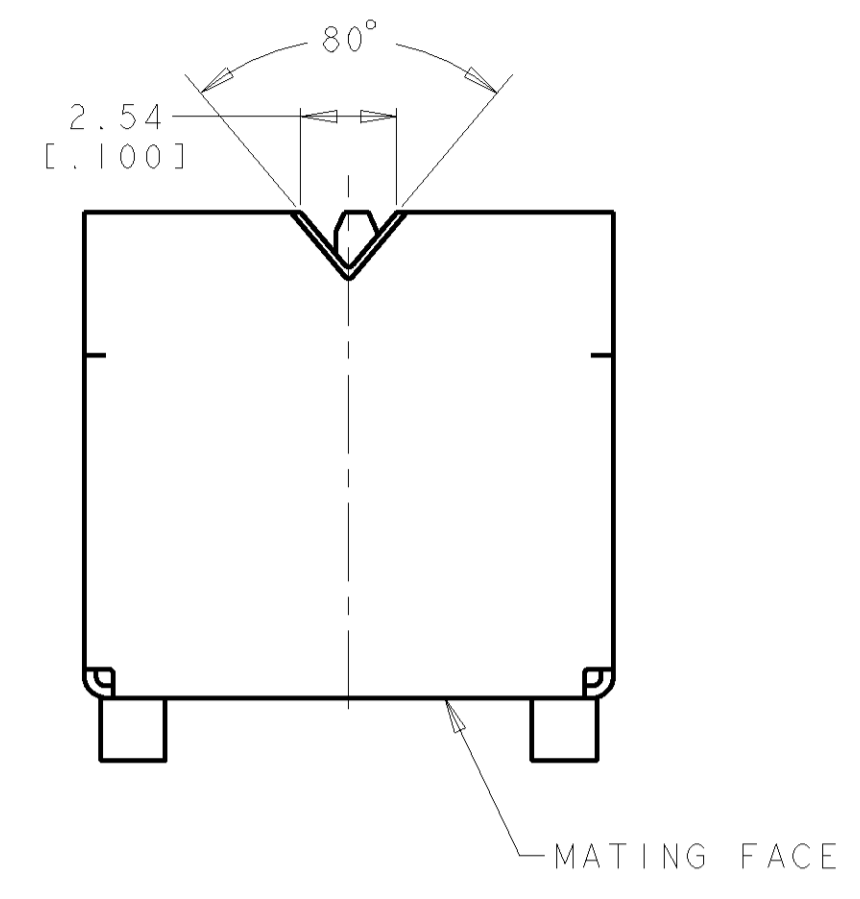
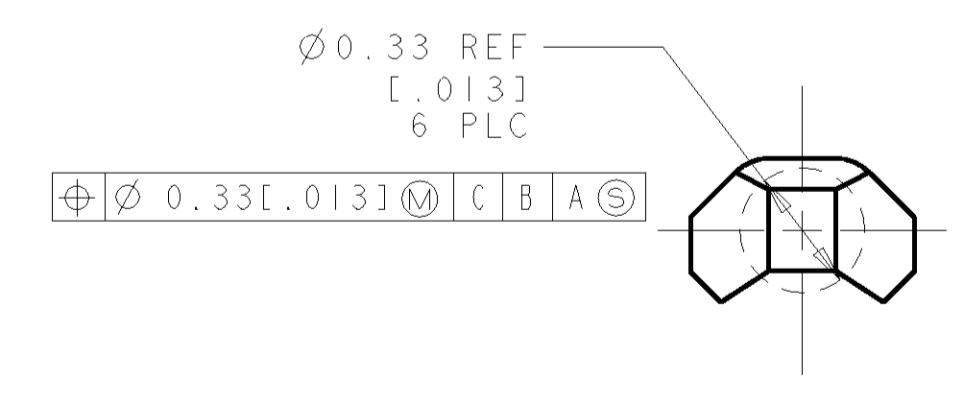
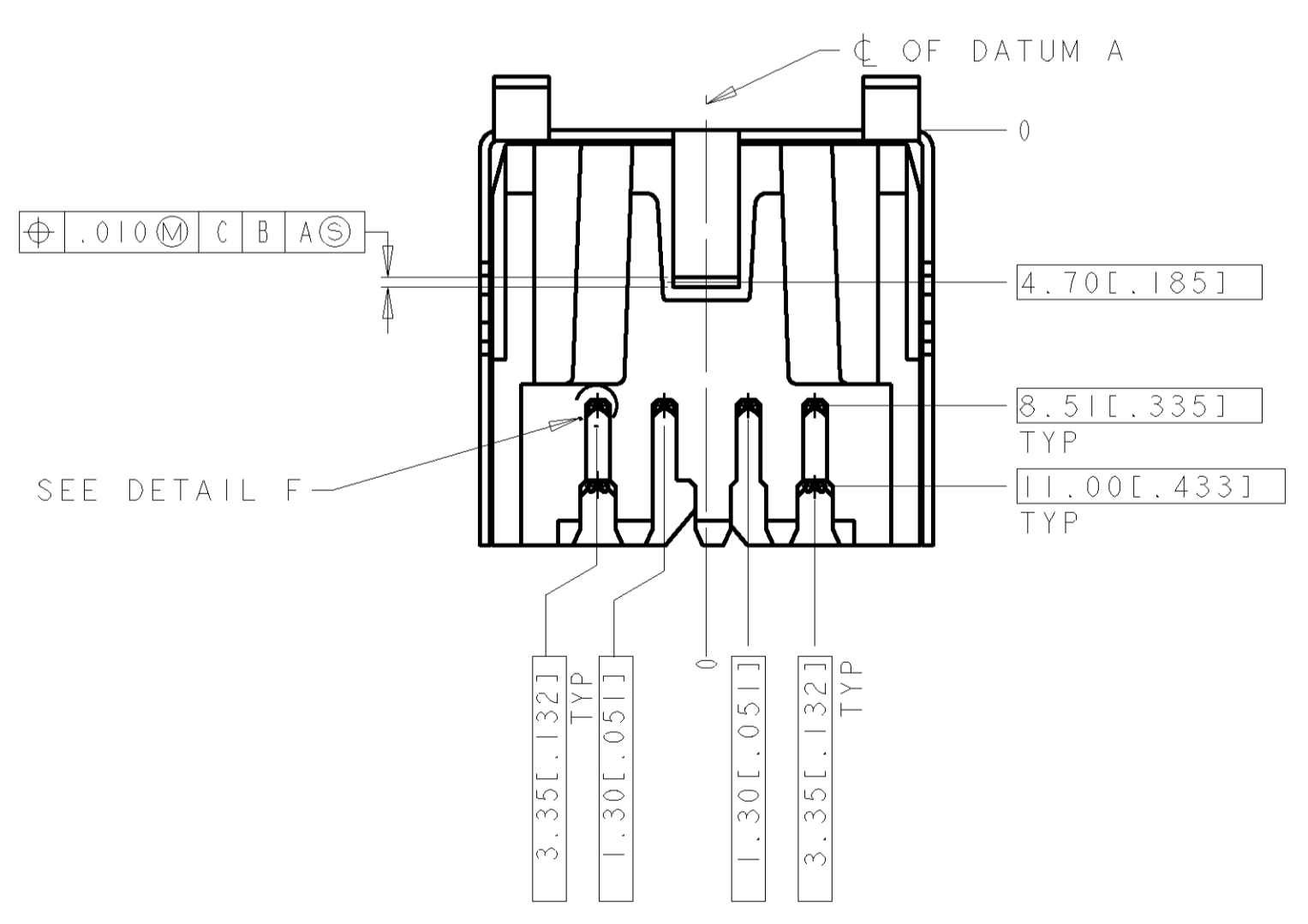
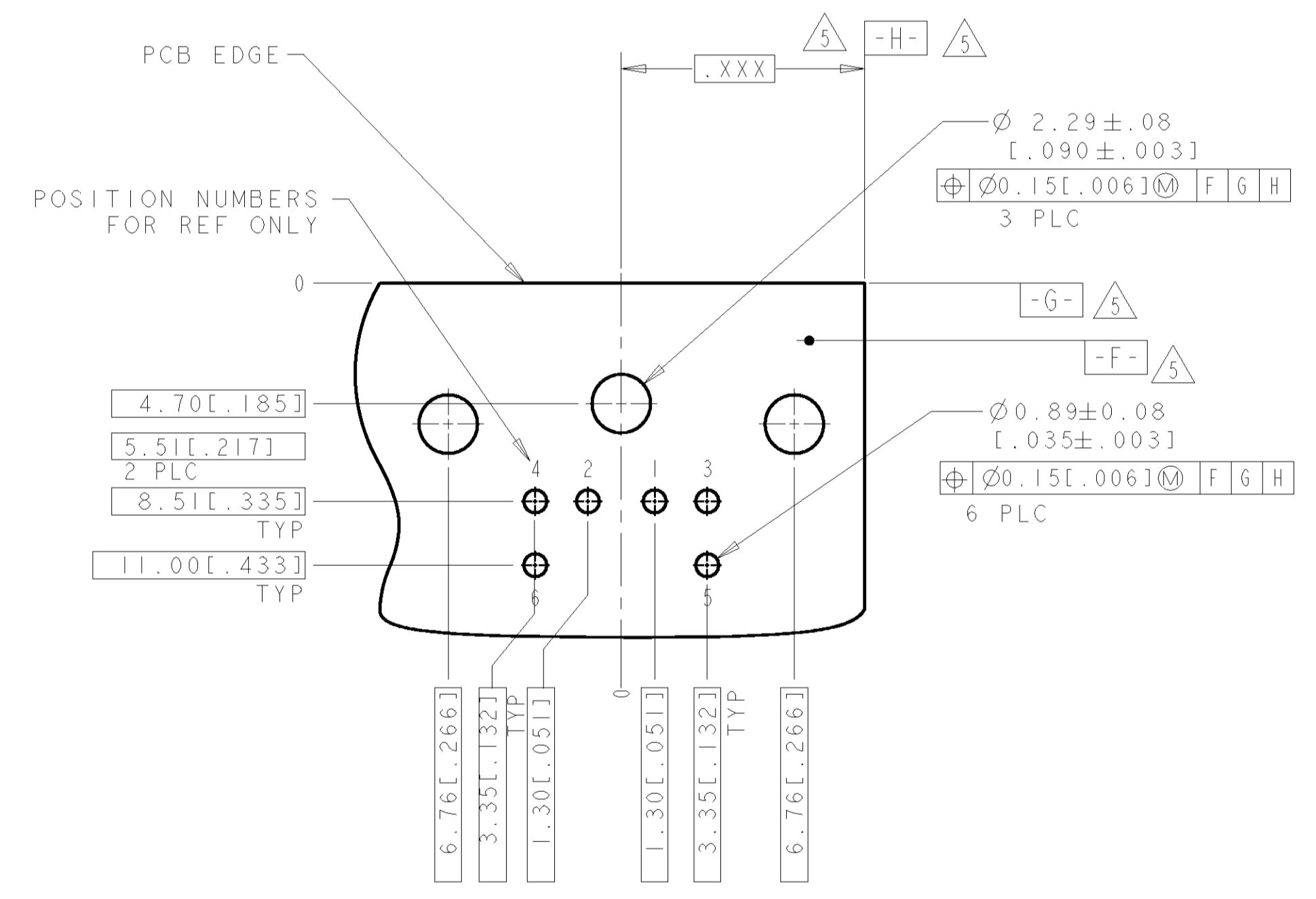
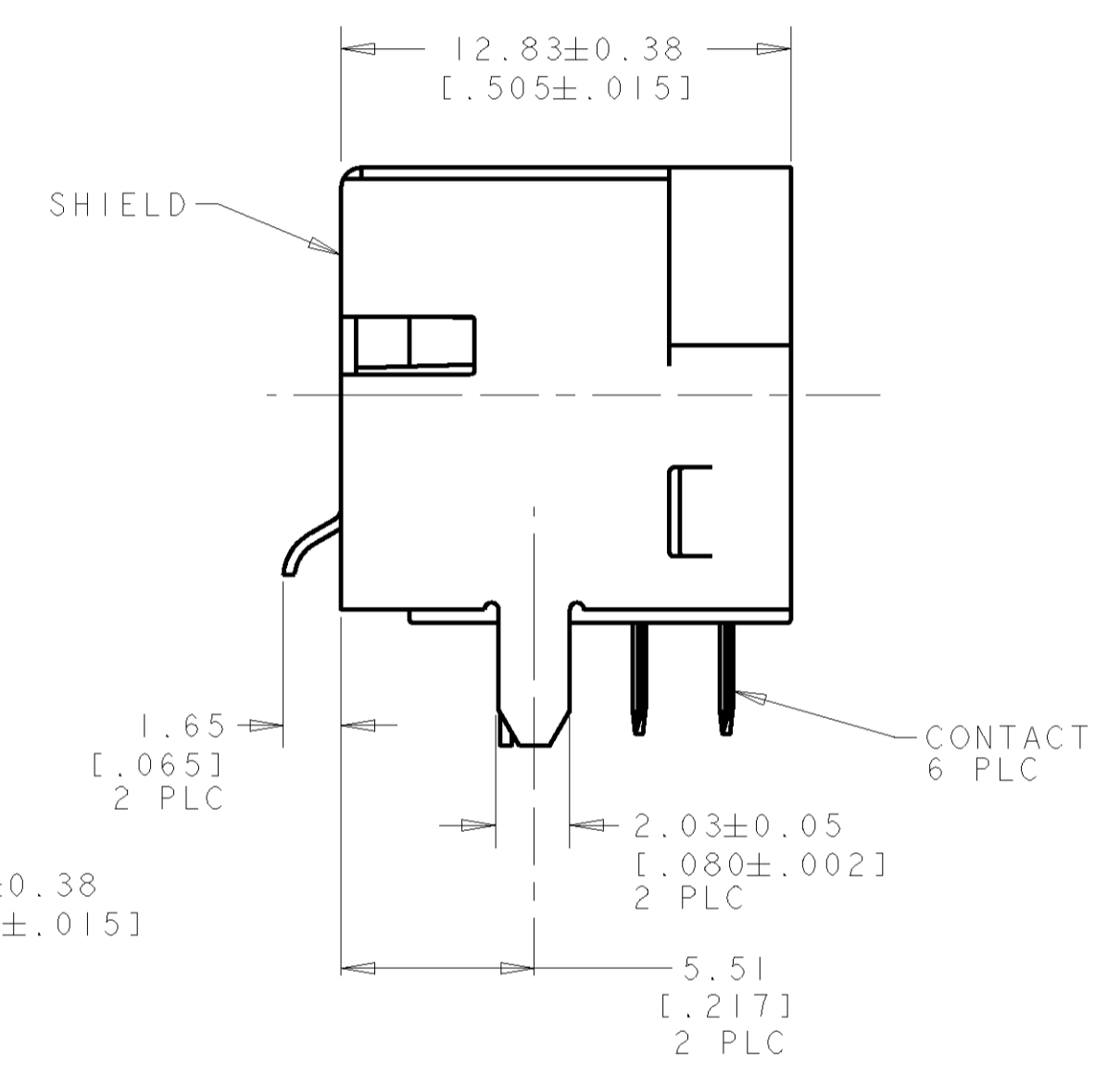
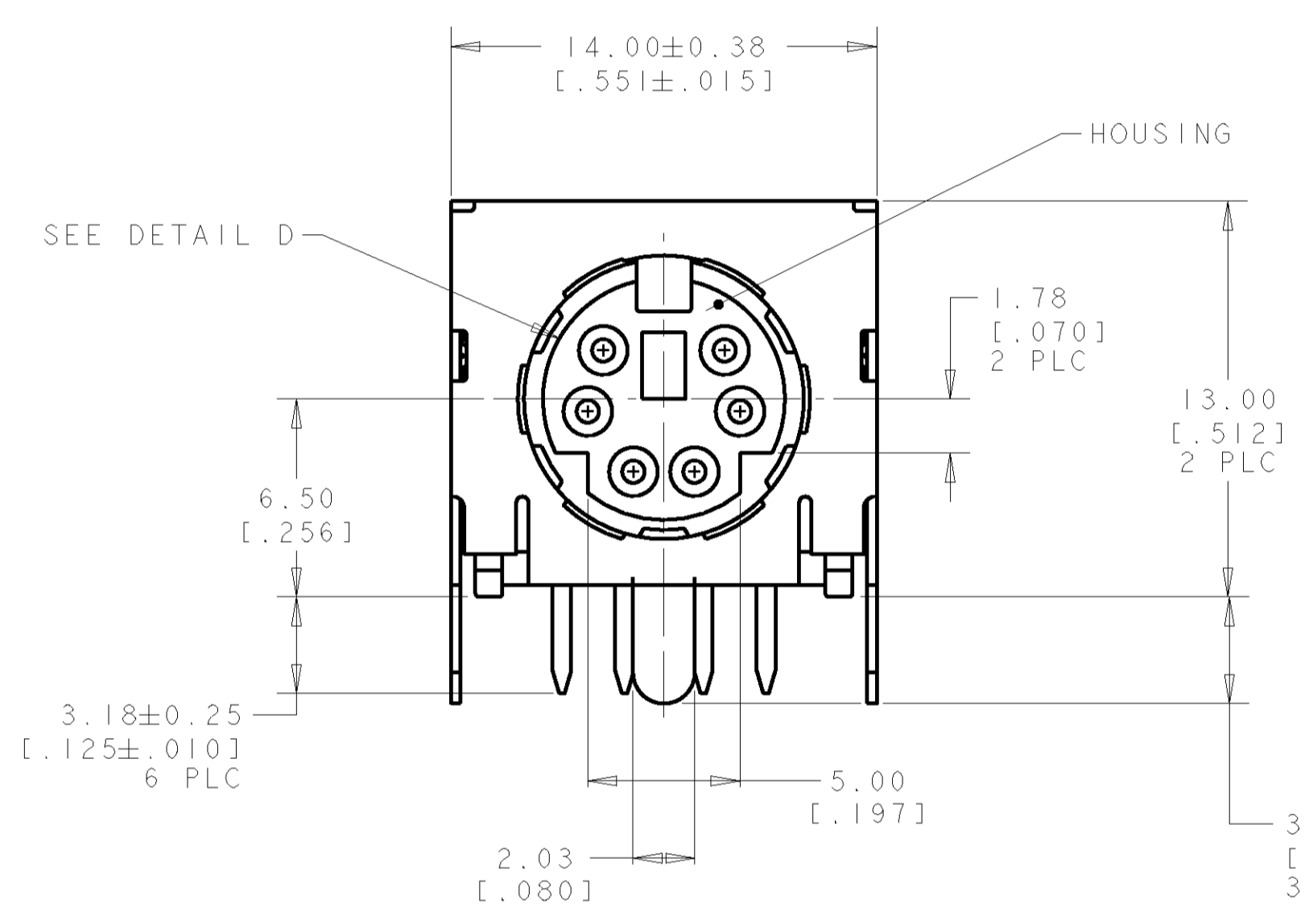


REVISONS		DATE	DNM	APRD		
LOC	DIST	F. LTR	DESCRIPTION	DATE	DNM	APRD
DY	-	0	NPR FPD0-0340-04	5JAN05	LWY	LSF



- 1 SHIELD & CONTACTS: COPPER ALLOY.
HOUSING: POLYESTER, UL 94V-0 RATED, BLACK.
- 2 0.76 μm [0.000030] MIN GOLD FOR A LENGTH OF 1.27 [0.050] MIN FROM MATING END, 3.05 μm [0.000120] MIN MATTE-TIN ON OPPOSITE END, BOTH OVER 1.27 μm [0.000050] MIN NICKEL.
- 3 1.50-4.00 μm [0.000059-.000158] THICK BRIGHT TIN.
- 4 GOLD PLATING PER MIL-G-45204, TIN PLATING PER MIL-T-10727, NICKEL PLATING PER QQ-N-290.
- 5 DATUMS AND BASIC DIMENSION SUPPLIED BY CUSTOMER.



RECOMMENDED PC BOARD LAYOUT
BOTTOM VIEW

P/N: 5750071-1 AS SHOWN

THIS DRAWING IS A CONTROLLED DOCUMENT FOR AMP INCORPORATED. ALL DIMENSIONS ARE IN MILLIMETERS UNLESS OTHERWISE SPECIFIED. ORGANIZATION SHOULD BE CONTACTED FOR THE LATEST REVISION.		DNM WYLYE 05JAN2005	Tyco Electronics Singapore Pte. Ltd.
DIMENSIONS: mm [INCHES]		CRK SF LEONG	
TOLERANCES UNLESS OTHERWISE SPECIFIED: 0 PLC ± 1 PLC ± 2 PLC ±0.13 [0.005] 3 PLC ± 4 PLC ± 5 PLC ±		APRD SF LEONG	NAME RECEPTACLE ASSY. FRONT PANEL GROUNDING, 6 POS. RIGHT ANGLE, MINIATURE CIRCULAR DIN
MATERIAL FINISH		PRODUCT SPEC 108-1225	APPLICATION SPEC
WEIGHT		CAGE CODE A1 00779	DRAWING NO. C=5750071
CUSTOMER DRAWING		SCALE 5:1	SHEET 1 OF 1 REV 0