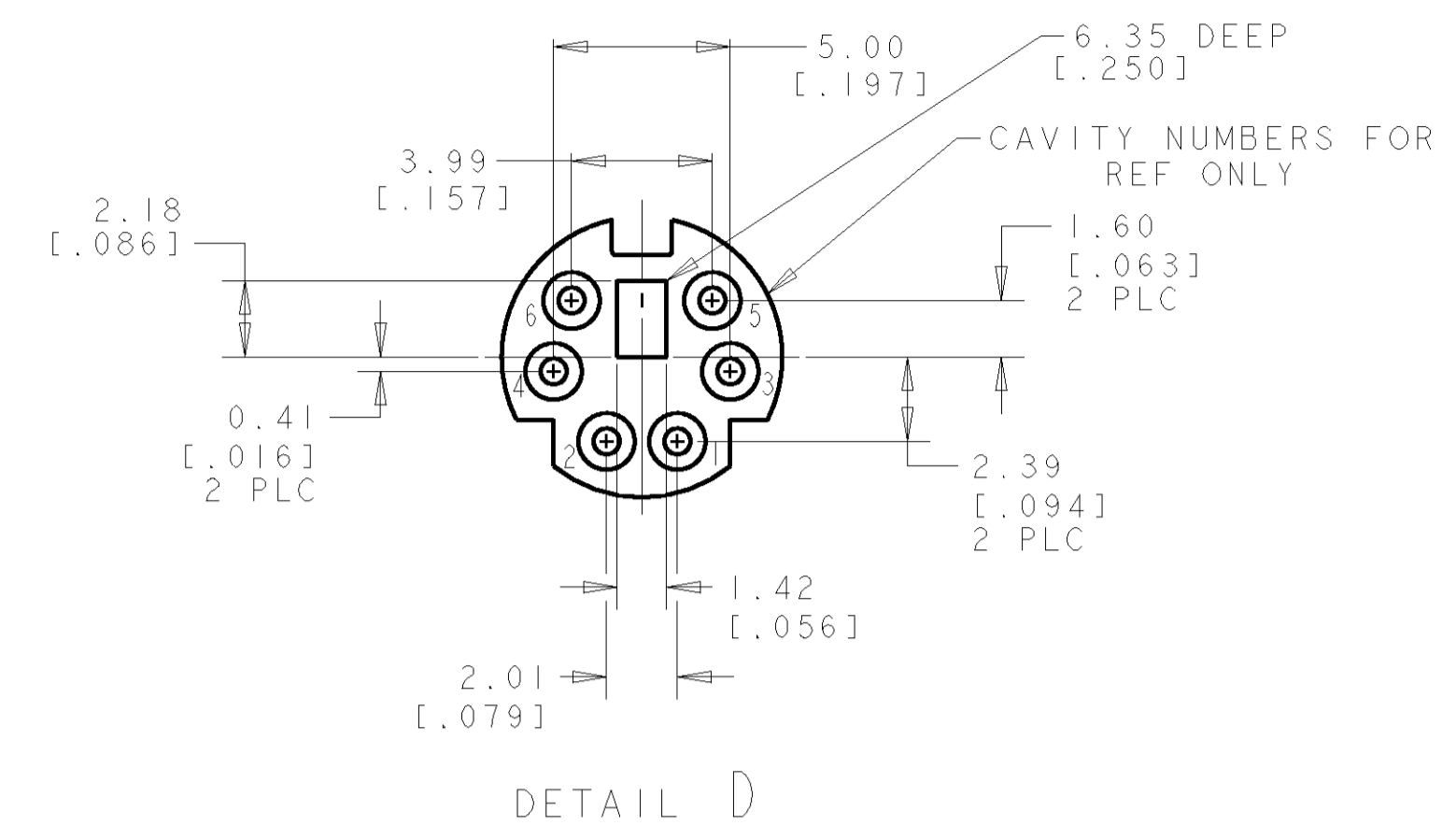
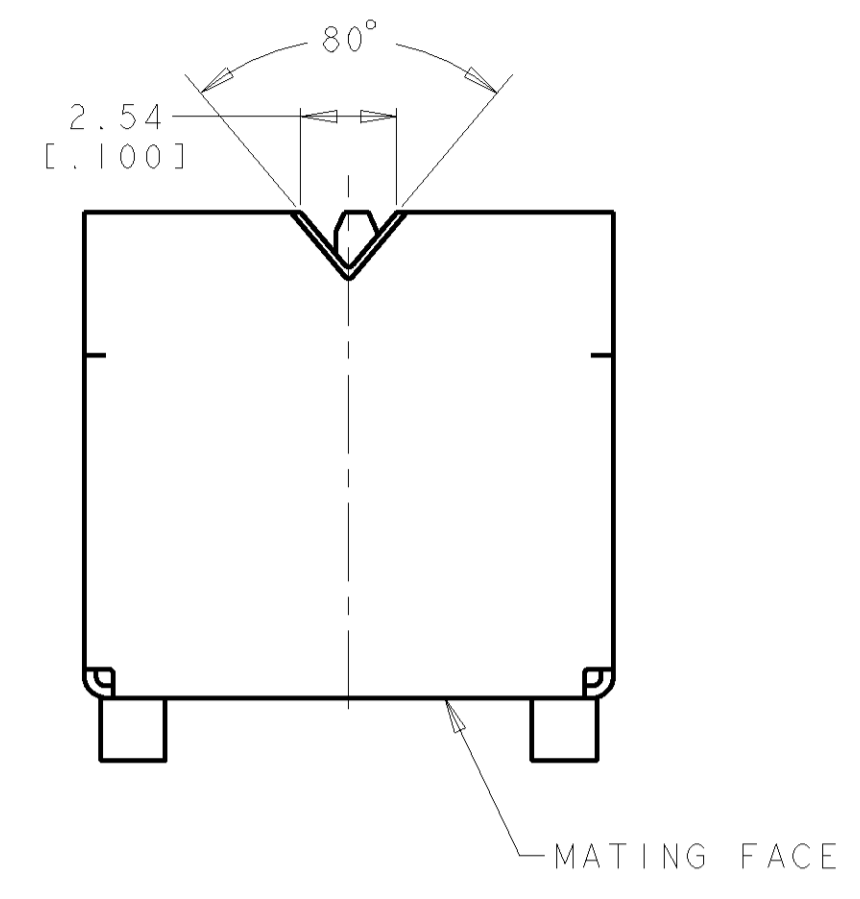
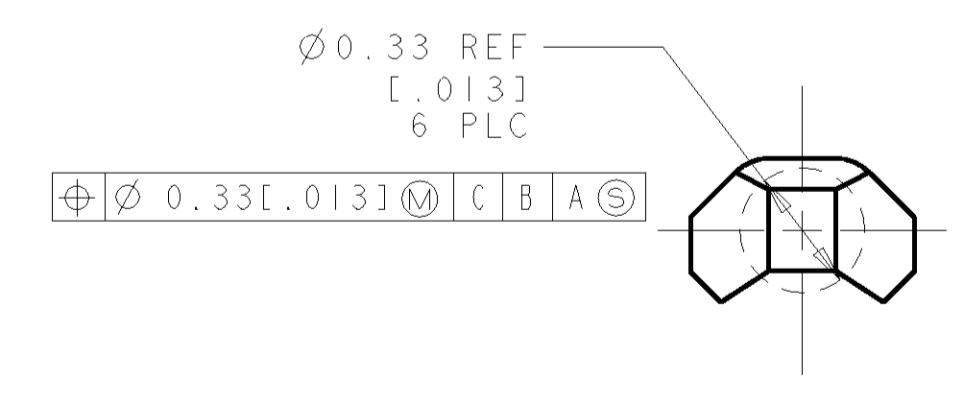
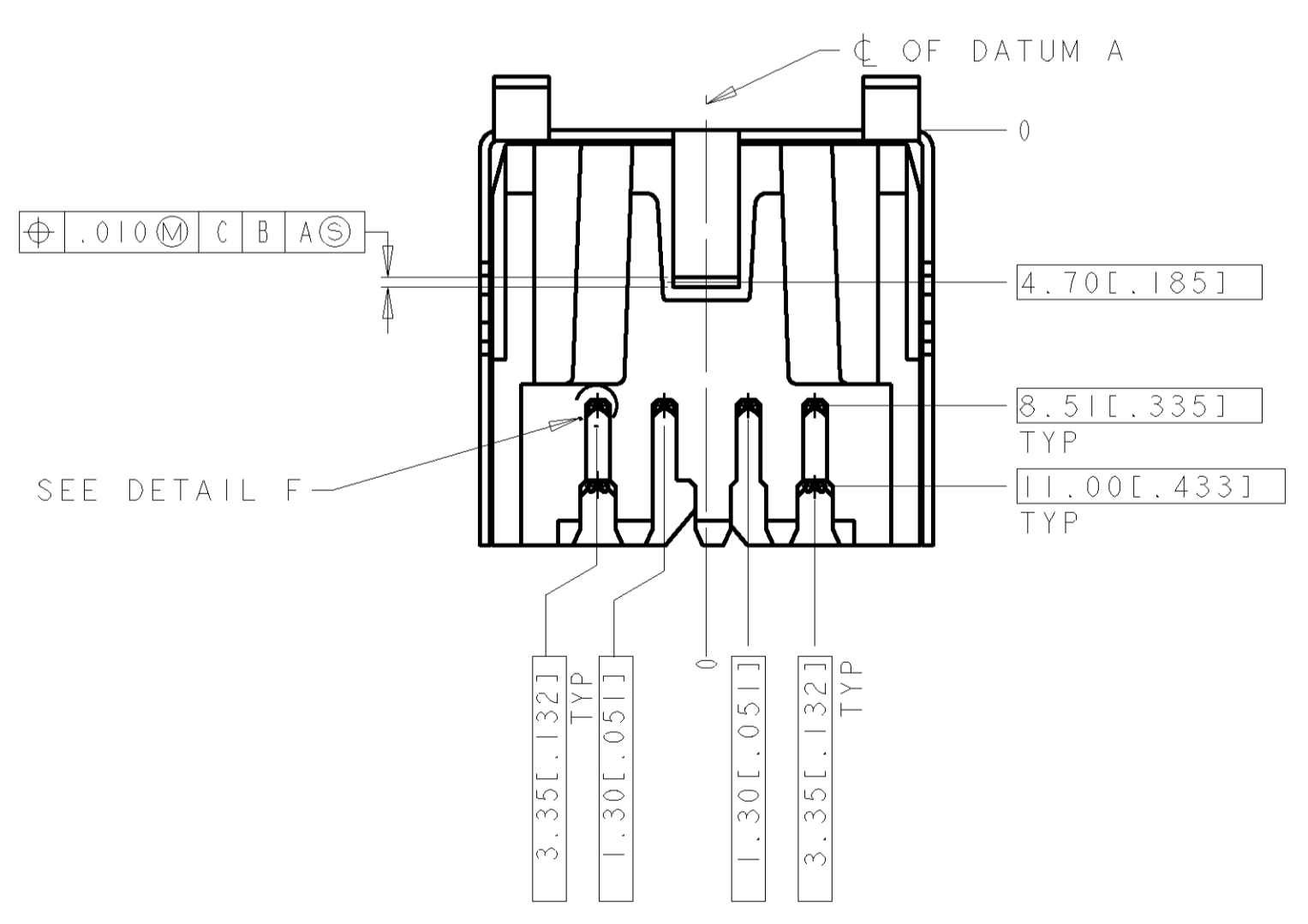
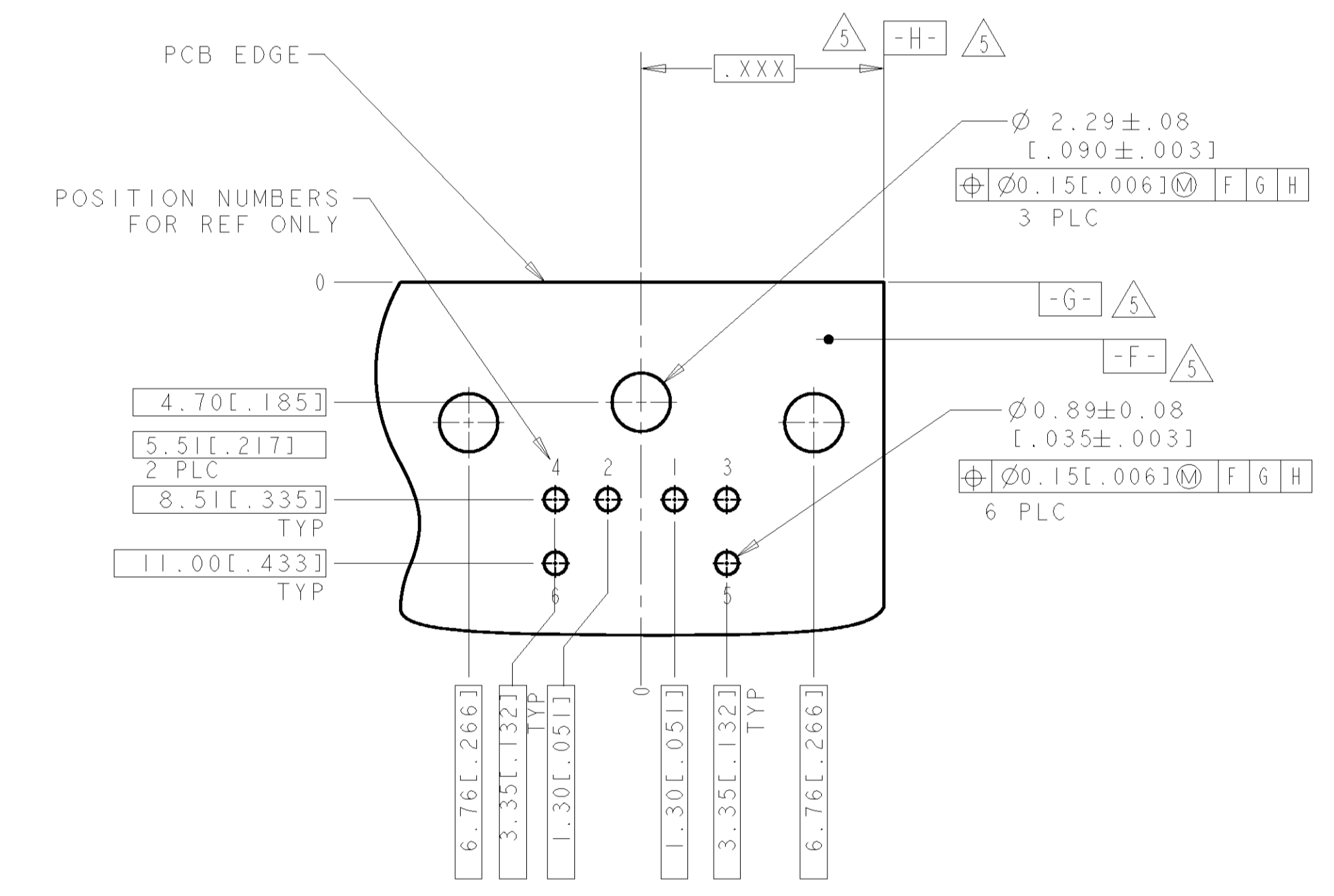
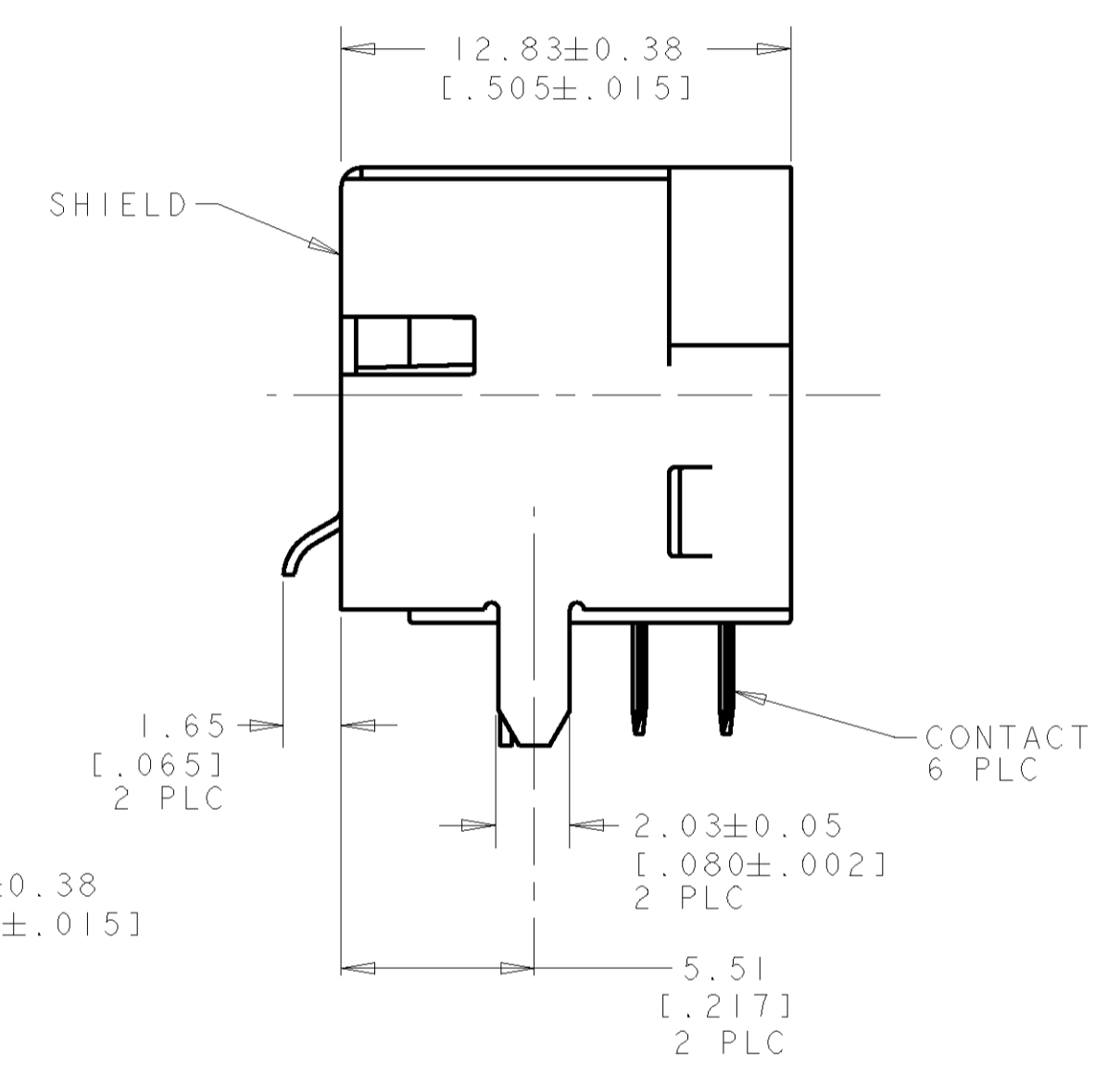
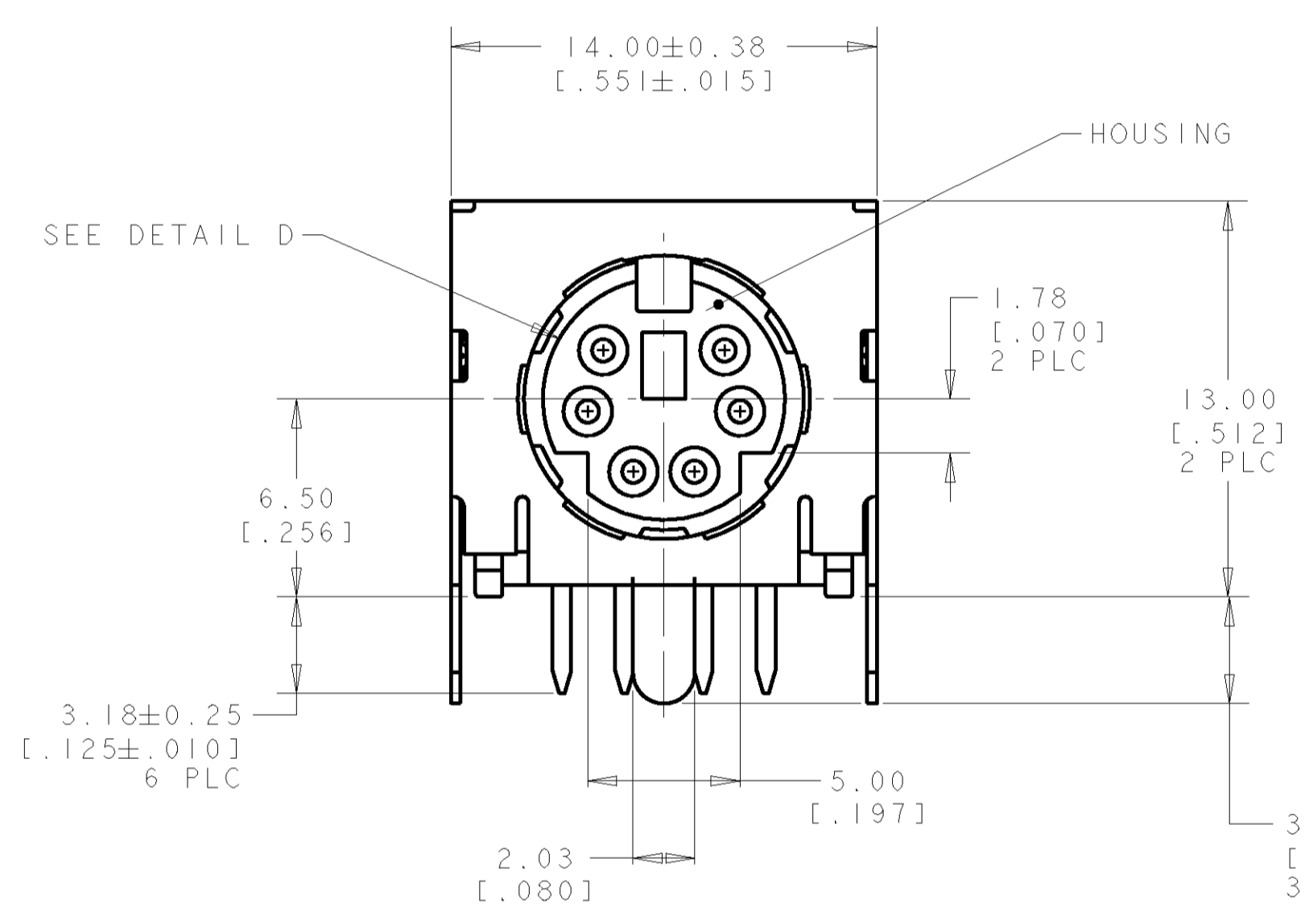


REVISONS		DATE	DNM	APRD		
LOC	DIST	F. LTR	DESCRIPTION	DATE	DNM	APRD
DY	-	0	NPR FPD0-0340-04	5JAN05	LWY	LSF



- 1 SHIELD & CONTACTS: COPPER ALLOY. HOUSING: POLYESTER, UL 94V-0 RATED, BLACK.
- 2 0.76  $\mu\text{m}$  [.000030] MIN GOLD FOR A LENGTH OF 1.27 [.050] MIN FROM MATING END, 3.05  $\mu\text{m}$  [.000120] MIN MATTE-TIN ON OPPOSITE END, BOTH OVER 1.27  $\mu\text{m}$  [.000050] MIN NICKEL.
- 3 1.50-4.00  $\mu\text{m}$  [.000059-.000158] THICK BRIGHT TIN.
- 4 GOLD PLATING PER MIL-G-45204, TIN PLATING PER MIL-T-10727, NICKEL PLATING PER QQ-N-290.
- 5 DATUMS AND BASIC DIMENSION SUPPLIED BY CUSTOMER.



DETAIL F  
SCALE 50:1

RECOMMENDED PC BOARD LAYOUT  
BOTTOM VIEW

P/N: 5750071-1 AS SHOWN

THIS DRAWING IS A CONTROLLED DOCUMENT FOR AMP INCORPORATED. ALL DIMENSIONS ARE IN MILLIMETERS UNLESS OTHERWISE SPECIFIED. ORGANIZATION SHOULD BE CONTACTED FOR THE LATEST REVISION.		DNM: WYLEE 05JAN2005	<b>tyco</b> Tyco Electronics Singapore Pte. Ltd.
DIMENSIONS: mm [INCHES]		CRN: SF LEONG	
TOLERANCES UNLESS OTHERWISE SPECIFIED:		APRD: SF LEONG	NAME: RECEPTACLE ASSY. FRONT PANEL PRODUCT SPEC: 108-1225 APPLICATION SPEC:
0 PLC ±		SIZE: A1	
1 PLC ±		CAGE CODE: 00779	DRAWING NO: 5750071 SCALE: 5:1 SHEET 1 OF 1 REV 0
5 PLC ±0.13 [.005]		CUSTOMER DRAWING	
4 PLC ±		WEIGHT: -	
MATERIAL: 1		FINISH: 2 3 4	