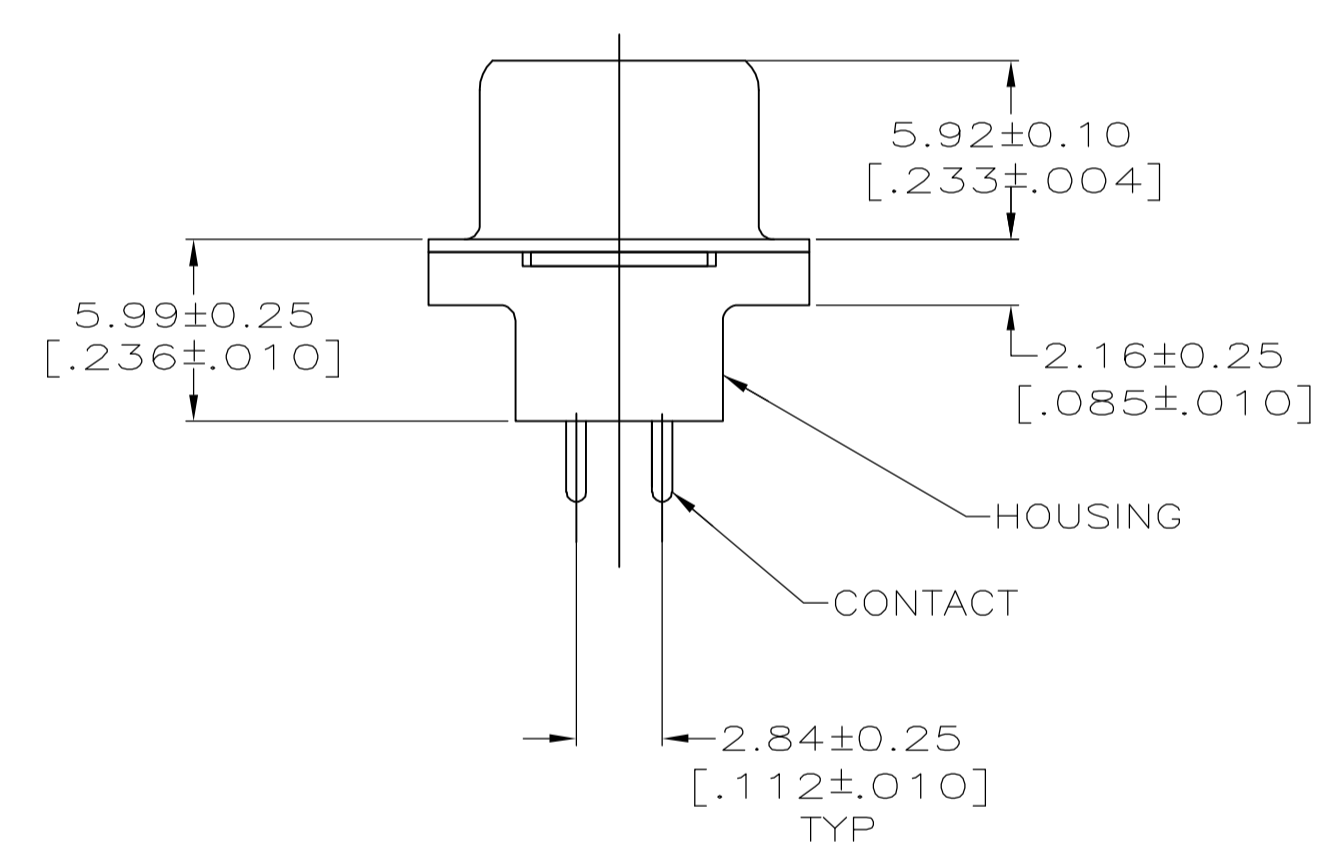
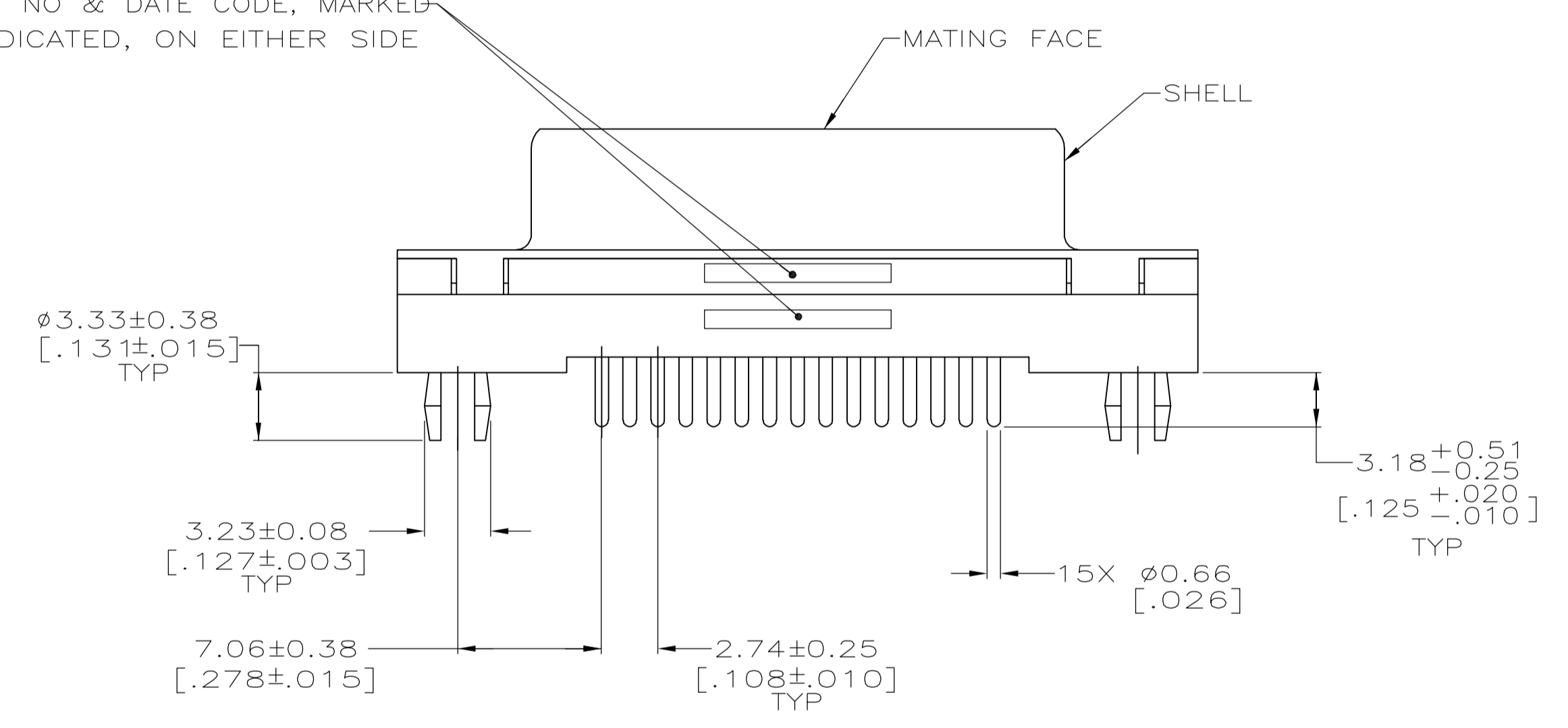
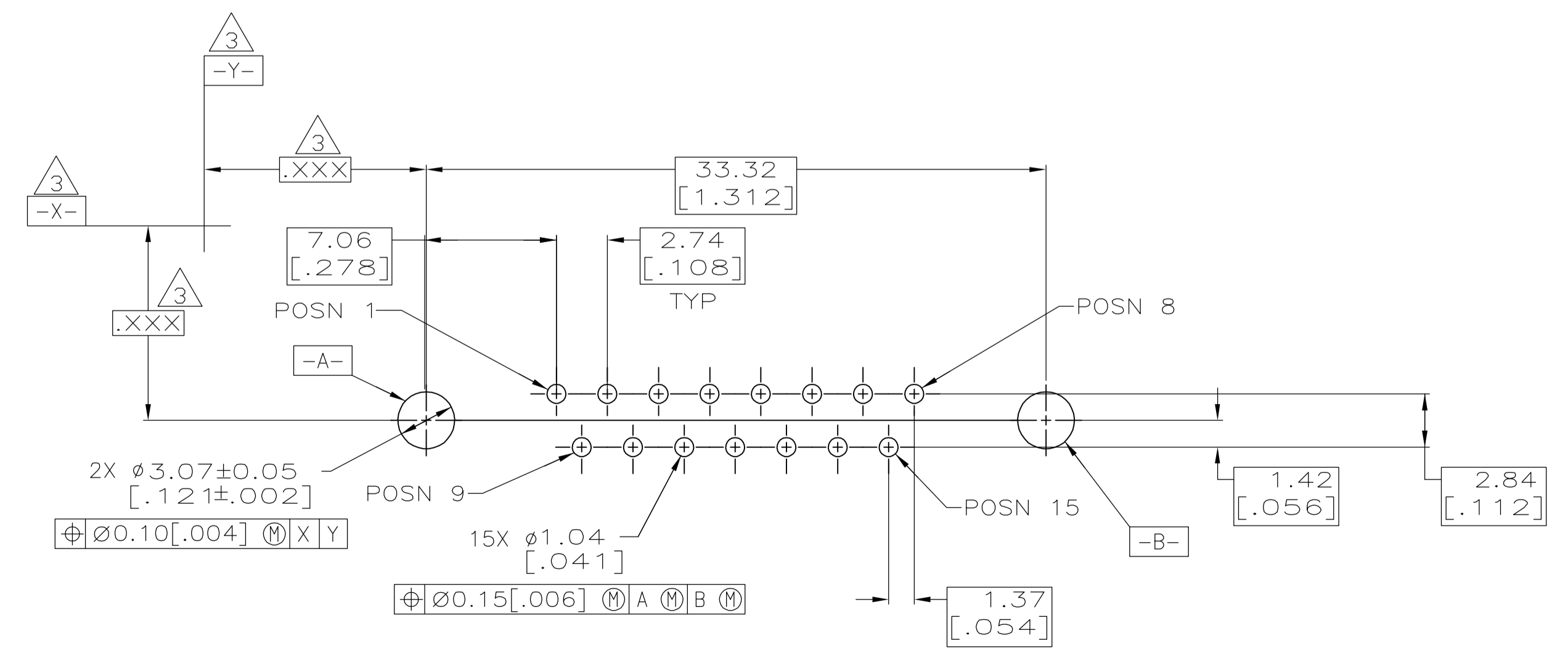


- 1 HOUSING: POLYESTER, UL 94V-0 RATED, BLACK.  
CONTACTS: BRASS.  
SHELL: CARBON STEEL  
RETENTION INSERTS: BRASS
- 2 SHELL: 5.08µm[.000200] MIN TIN OVER 2.54µm[.000100] MIN COPPER.  
RETENTION INSERTS: 3.81µm[.000150] MIN TIN OVER 2.54µm[.000100] MIN COPPER.  
CONTACTS: GOLD PLATED FOR A LENGTH OF 3.81 [.150] MIN FROM MATING END, 0.76µm [.000030] MIN GOLD IN MATED AREA, 2.54µm [.000100] MIN TIN ON OPPOSITE END, ALL OVER 1.27µm[.000050] MIN NICKEL.  
-OR-  
GOLD FLASH OVER PALLADIUM NICKEL PLATED FOR A LENGTH OF 3.81 [.150] MIN FROM MATING END, 0.76µm [.000030] MIN PALLADIUM NICKEL IN MATED AREA, 2.54µm [.000100] MIN TIN ON OPPOSITE END, ALL OVER 1.27µm[.000050] MIN NICKEL.
- 3 DATUMS AND BASIC DIMENSIONS ESTABLISHED BY CUSTOMER.

TYCO, PART NO & DATE CODE, MARKED IN AREA INDICATED, ON EITHER SIDE



RETENTION INSERTS REMOVED FOR CLARITY



PC BOARD MOUNTING DIMENSIONS  
 CONNECTOR SIDE OF BOARD  
 1.57[.062] PC BOARD THICKNESS

5750638-1  
 PART NO

THIS DRAWING IS A CONTROLLED DOCUMENT.		DIN B LATTUCA 30SEPT05		Tyco Electronics Corporation Harrisburg, PA 17105-3608	
DIMENSIONS: mm[INCHES]		CHK S BOLASH 30SEPT05		APVD M WALMSLEY 30SEPT05	NAME
TOLERANCES UNLESS OTHERWISE SPECIFIED:		0 PLC ± -	1 PLC ± -	2 PLC ± 0.13 [.005]	3 PLC ± -
MATERIAL		FINISH	WEIGHT	SIZE	CAGE CODE
1		2	-	A1	00779
CUSTOMER DRAWING		SCALE	4:1	SHEET	1 OF 1
		REV			