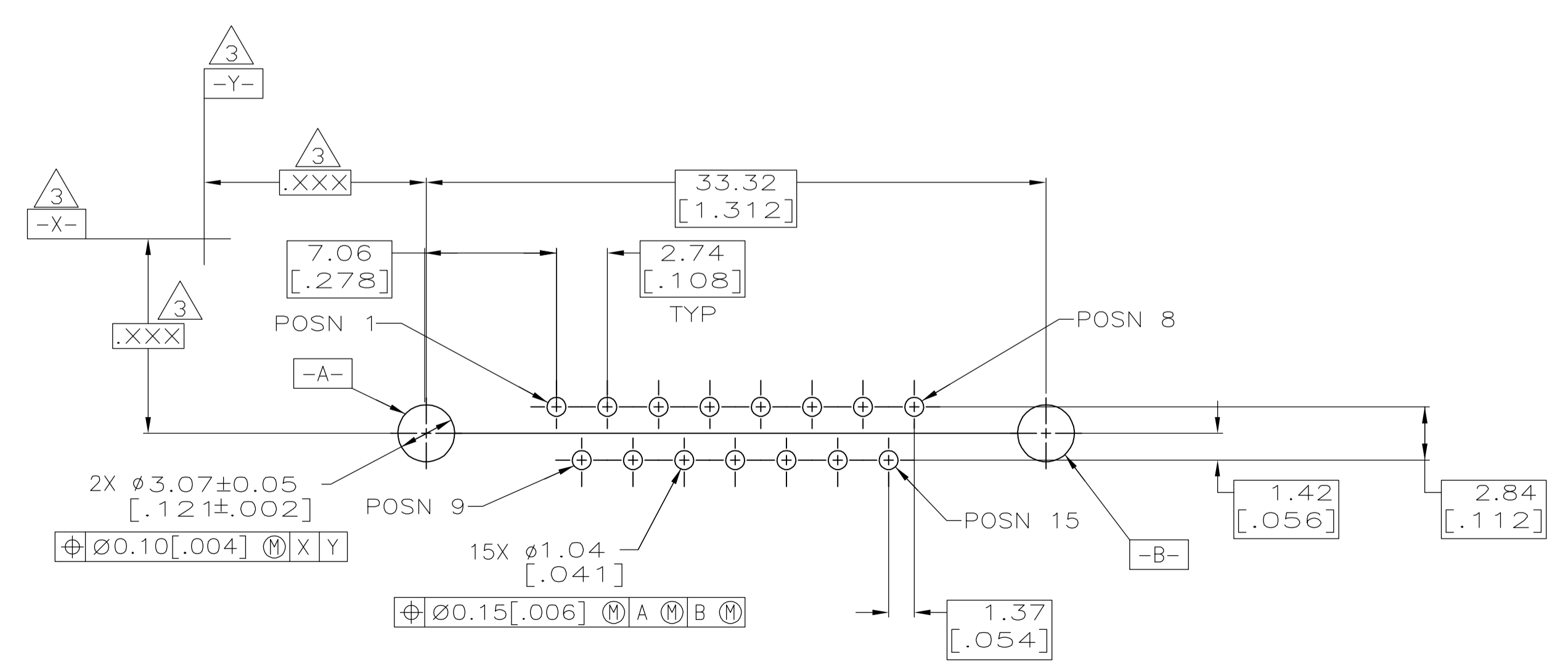
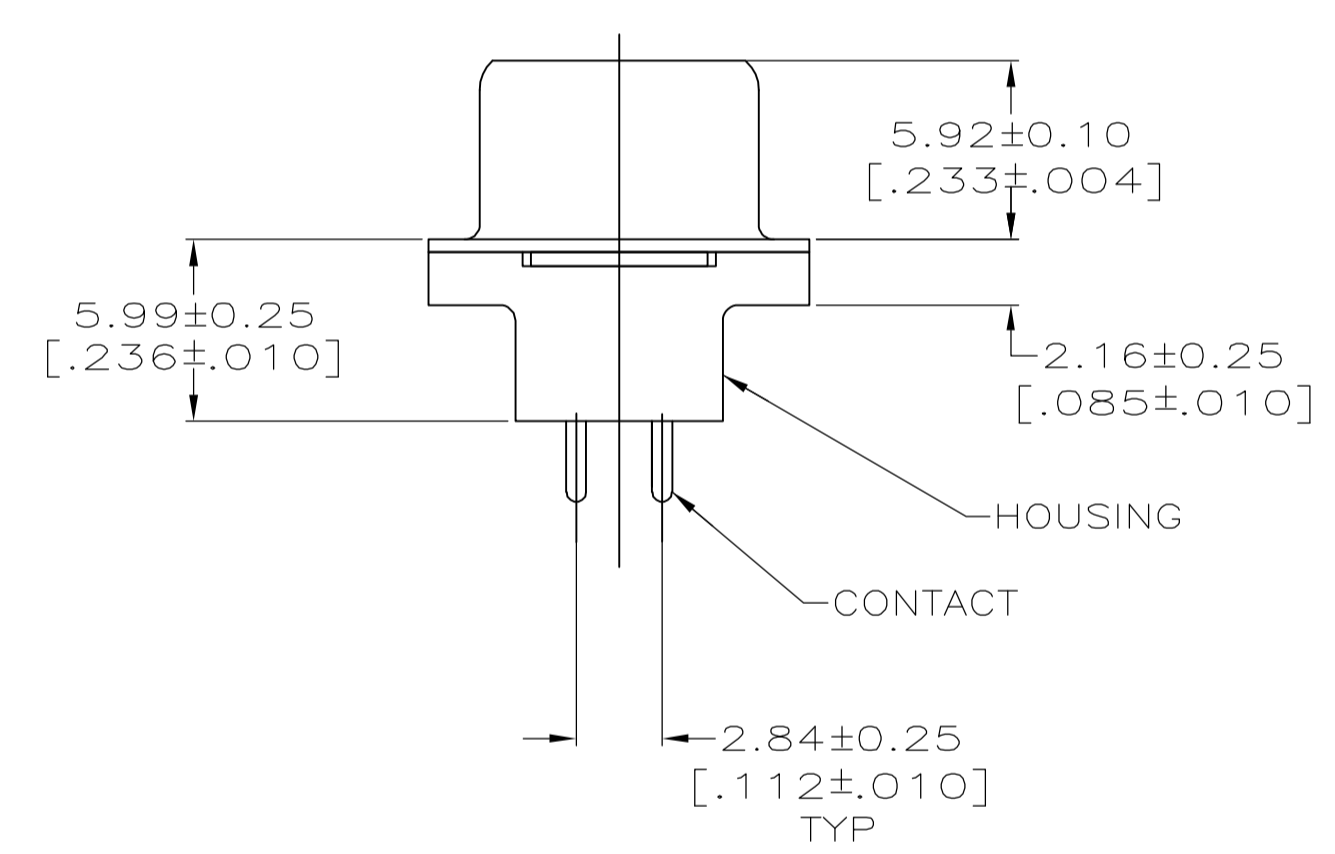
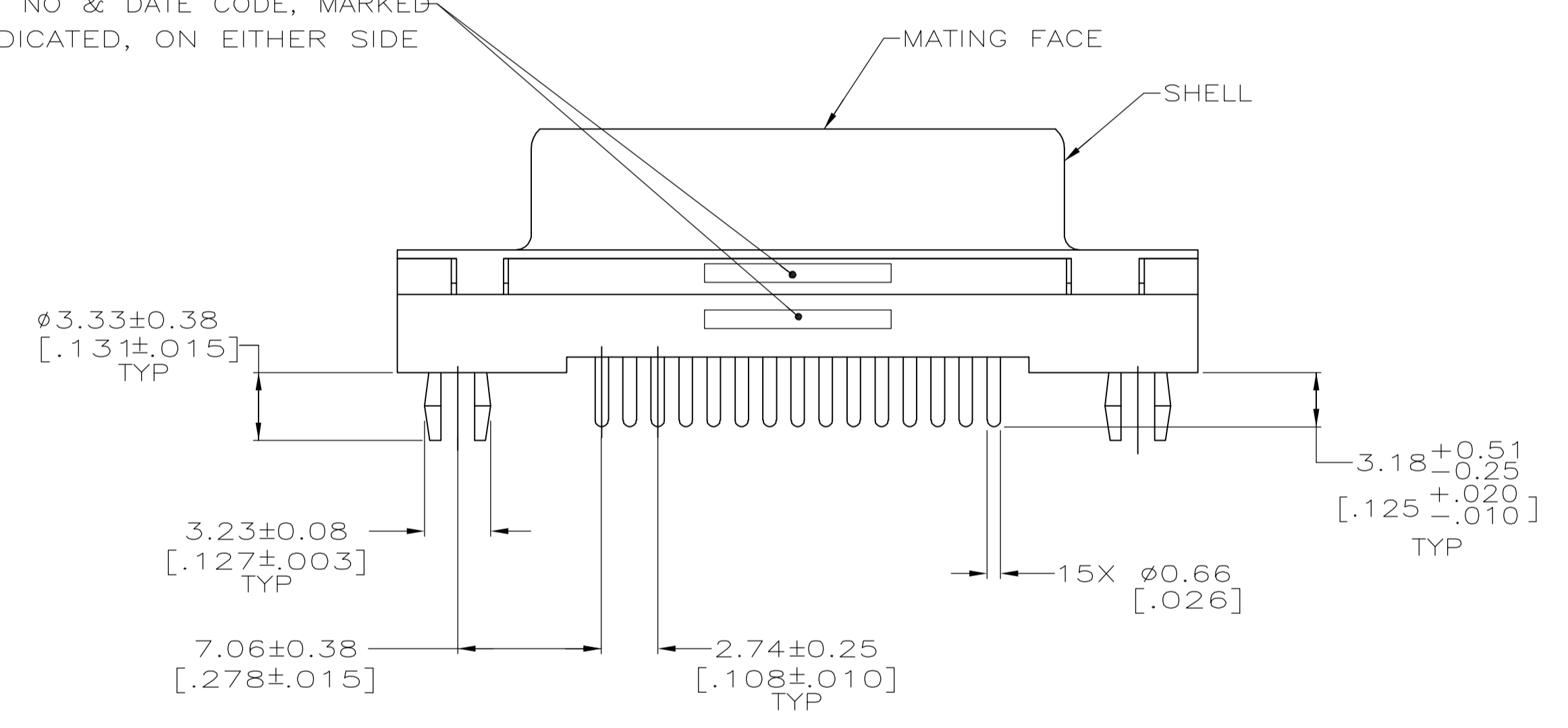


- 1 HOUSING: POLYESTER, UL 94V-0 RATED, BLACK.
CONTACTS: BRASS.
SHELL: CARBON STEEL
RETENTION INSERTS: BRASS
- 2 SHELL: 5.08µm[.000200] MIN TIN OVER 2.54µm[.000100] MIN COPPER.
RETENTION INSERTS: 3.81µm[.000150] MIN TIN OVER 2.54µm[.000100] MIN COPPER.
CONTACTS: GOLD PLATED FOR A LENGTH OF 3.81 [.150] MIN FROM MATING END, 0.76µm [0.00030] MIN GOLD IN MATED AREA, 2.54µm [.000100] MIN TIN ON OPPOSITE END, ALL OVER 1.27µm[.000050] MIN NICKEL.
-OR-
GOLD FLASH OVER PALLADIUM NICKEL PLATED FOR A LENGTH OF 3.81 [.150] MIN FROM MATING END, 0.76µm [0.00030] MIN PALLADIUM NICKEL IN MATED AREA, 2.54µm [.000100] MIN TIN ON OPPOSITE END, ALL OVER 1.27µm[.000050] MIN NICKEL.
- 3 DATUMS AND BASIC DIMENSIONS ESTABLISHED BY CUSTOMER.

TYCO, PART NO & DATE CODE, MARKED IN AREA INDICATED, ON EITHER SIDE



PC BOARD MOUNTING DIMENSIONS
 CONNECTOR SIDE OF BOARD
 1.57[.062] PC BOARD THICKNESS

THIS DRAWING IS A CONTROLLED DOCUMENT.		DIN B LATTUCA 30SEPT05		Tyco Electronics Corporation Harrisburg, PA 17105-3608	
DIMENSIONS: mm[INCHES]		CHK S BOLASH 30SEPT05		APVD M WALMSLEY 30SEPT05	NAME
TOLERANCES UNLESS OTHERWISE SPECIFIED:		0 PLC ± -	1 PLC ± -	2 PLC ± 0.13 [.005]	3 PLC ± -
		4 PLC ± -	ANGLES ± -	PRODUCT SPEC	PLUG ASSEMBLY, SIZE 2, 15 POSN, VERTICAL, RETENTION INSERTS, AMPLIMITE HD-20
				APPLICATION SPEC	108-40025
				SIZE	A1
				WEIGHT	00779
				CAGE CODE	5750638
				RESTRICTED TO	
				CUSTOMER DRAWING	
				SCALE	4:1
				SHEET	1 of 1
				REV	B