

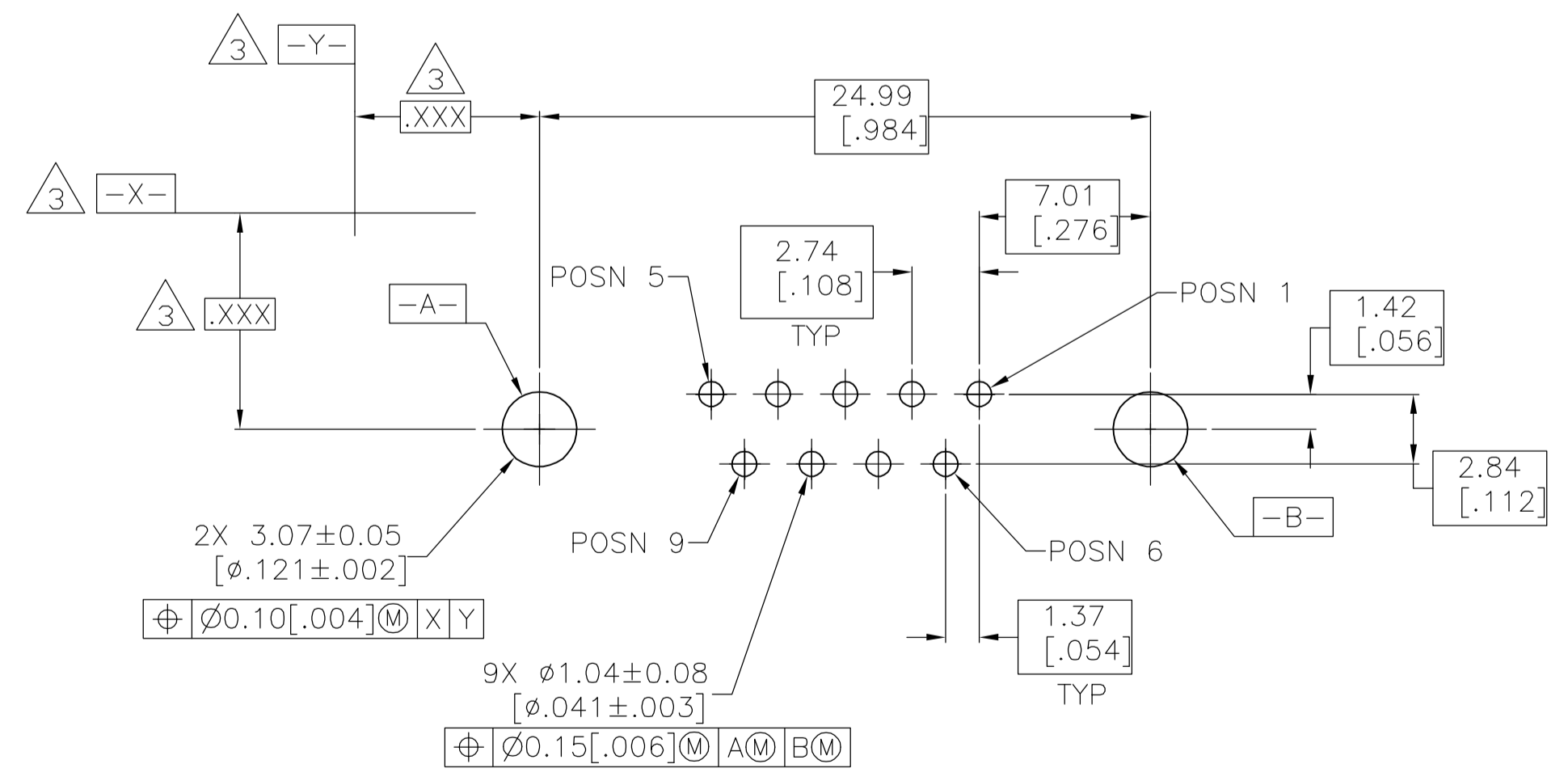
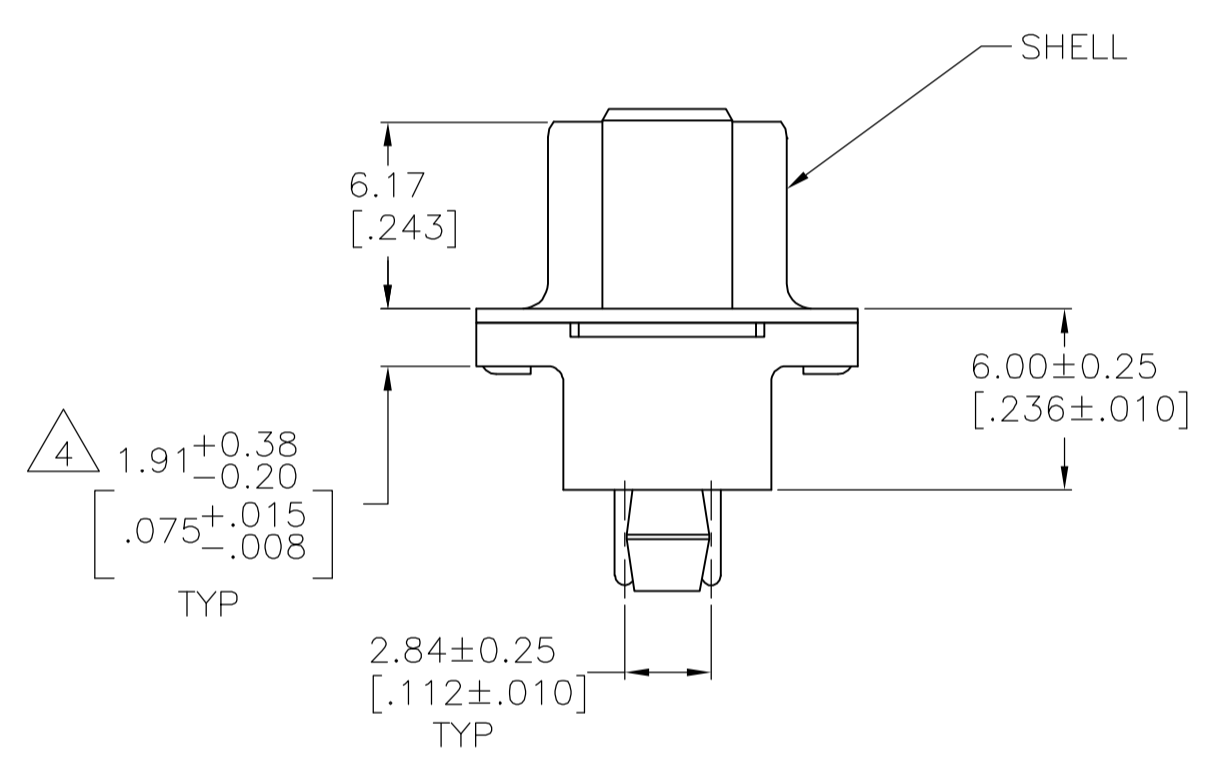
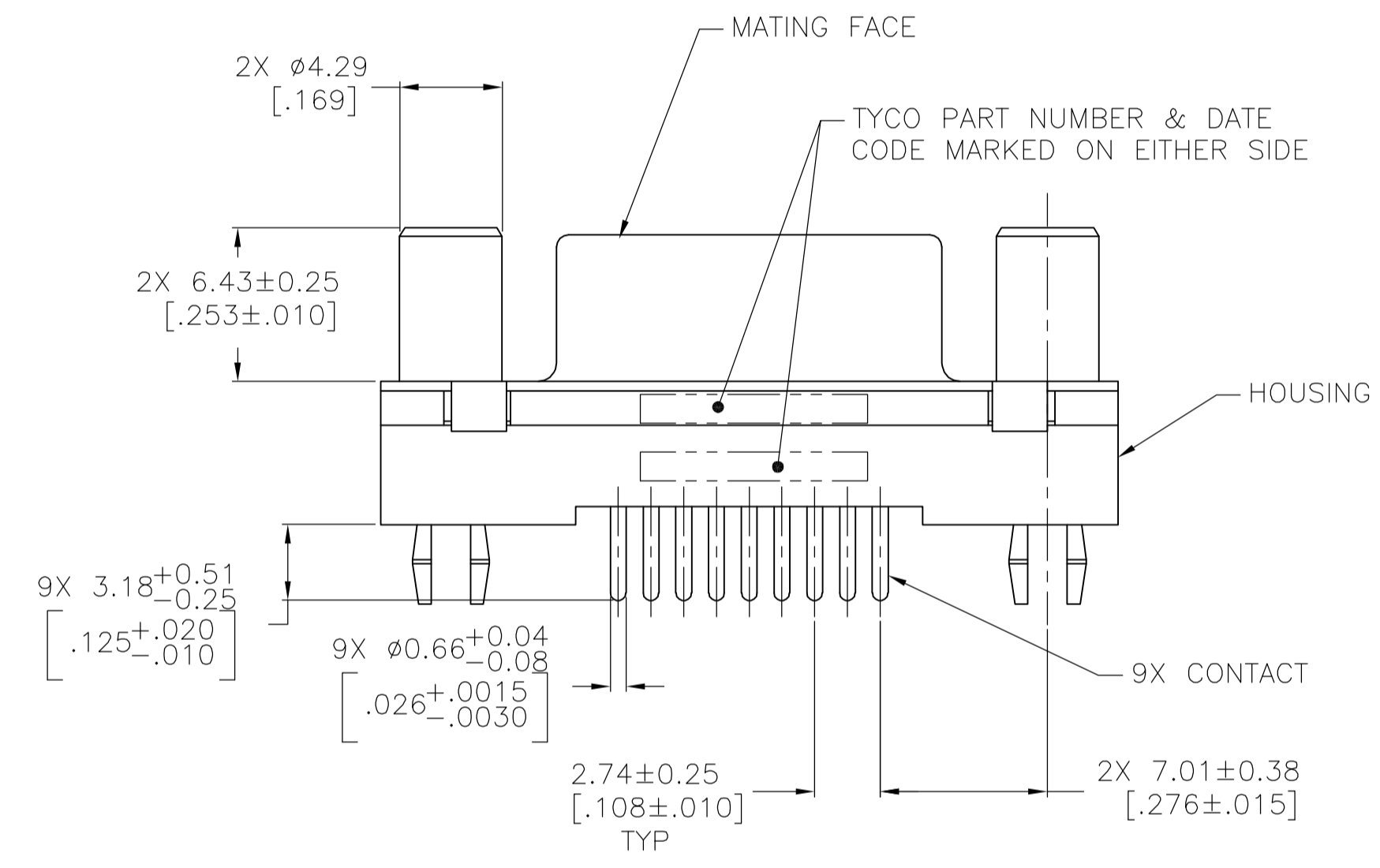
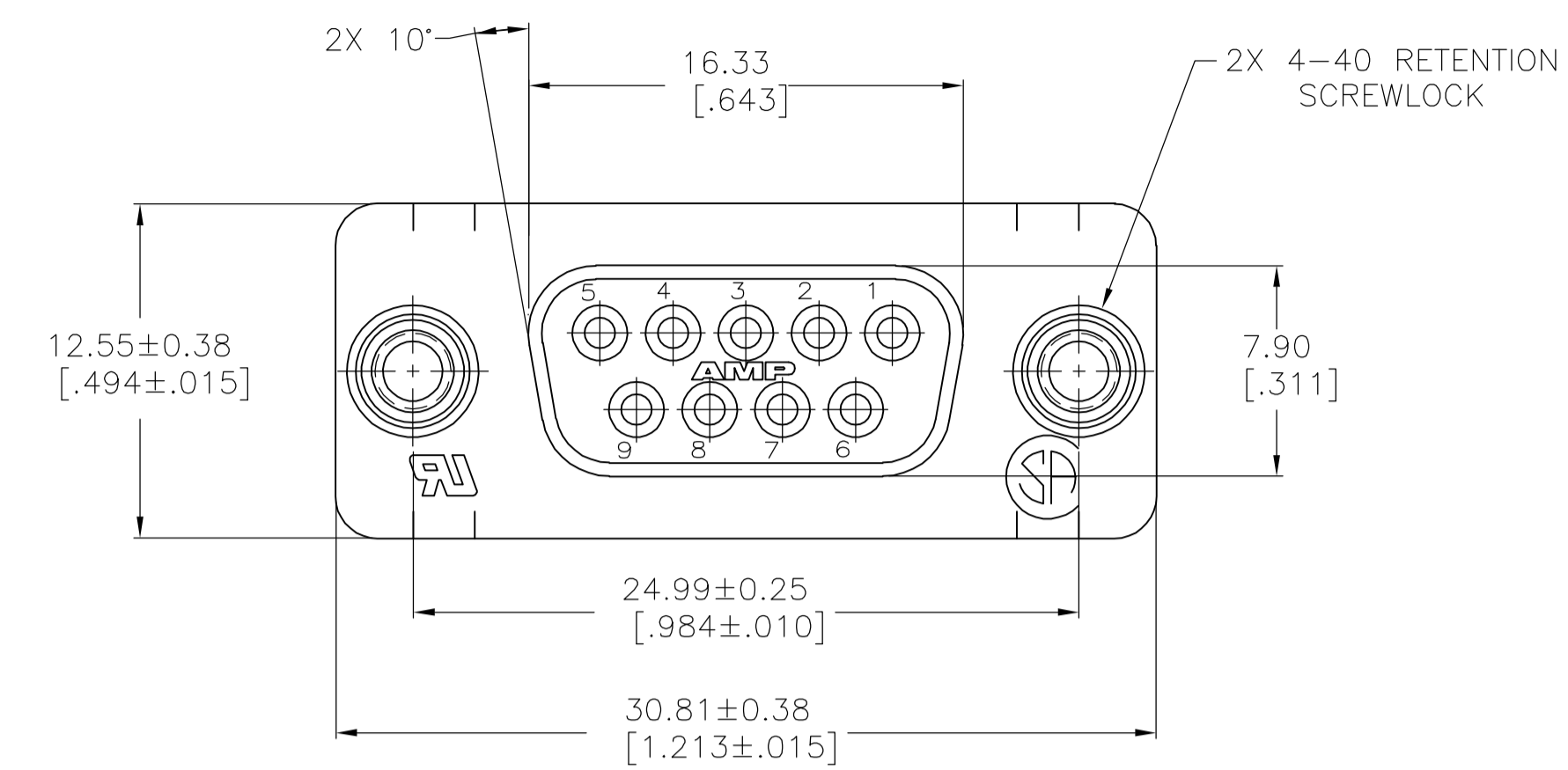
Distributed by:

JAMECO[®]
ELECTRONICS

www.Jameco.com ♦ 1-800-831-4242

The content and copyrights of the attached
material are the property of its owner.

Jameco Part Number 755411



PC BOARD MOUNTING DIMENSIONS
 CONNECTOR SIDE OF BOARD
 1.57[.062] PC BOARD THICKNESS

- 1 MATERIAL:
 HOUSING: PBT, UL 94V-0 RATED, BLACK.
 SHELL: CARBON STEEL.
 CONTACTS: PHOSPHOR BRONZE.
 SCREWLOCKS: BRASS.
- 2 FINISH:
 SHELL: 5.08µm [.000200] MIN TIN OVER 2.54µm [.000100] MIN COPPER.
 CONTACTS: 0.76µm [.000030] MIN GOLD FOR A LENGTH OF 1.40 [.055] MIN FROM MATING END, 2.54µm [.000100] MIN TIN ON OPPOSITE END FOR A LENGTH OF 3.68 [.145] MIN, BOTH OVER 1.27µm [.000050] MIN NICKEL.
 SCREWLOCKS: 2.54µm [.000100] MIN TIN OVER 1.27µm [.000050] MIN NICKEL OVER COPPER FLASH.
- 3 DATUMS AND BASIC DIMENSIONS ESTABLISHED BY CUSTOMER.
- 4 2.79[.110] MAX IN SHELL TAB CLINCH AREAS.

5750678-1
 PART NUMBER

THIS DRAWING IS A CONTROLLED DOCUMENT.		DIN B MCMMASTER 12AUG05	Tyco Electronics Corporation Harrisburg, Pa 17105-3608
DIMENSIONS: mm [INCHES]		CHK S BOLASH 12AUG05	
TOLERANCES UNLESS OTHERWISE SPECIFIED:		APPD M WALMSLEY 12AUG05	NAME
0 PLC ± -	1 PLC ± -	2 PLC ± 0.13 [.005]	PRODUCT SPEC
3 PLC ± -	4 PLC ± -	ANGLES ± -	APPLICATION SPEC
MATERIAL 1	FINISH 2	WEIGHT -	SIZE CAE CODE DRAWING NO
CUSTOMER DRAWING		SCALE 4:1	SHEET 1 OF 1 REV A