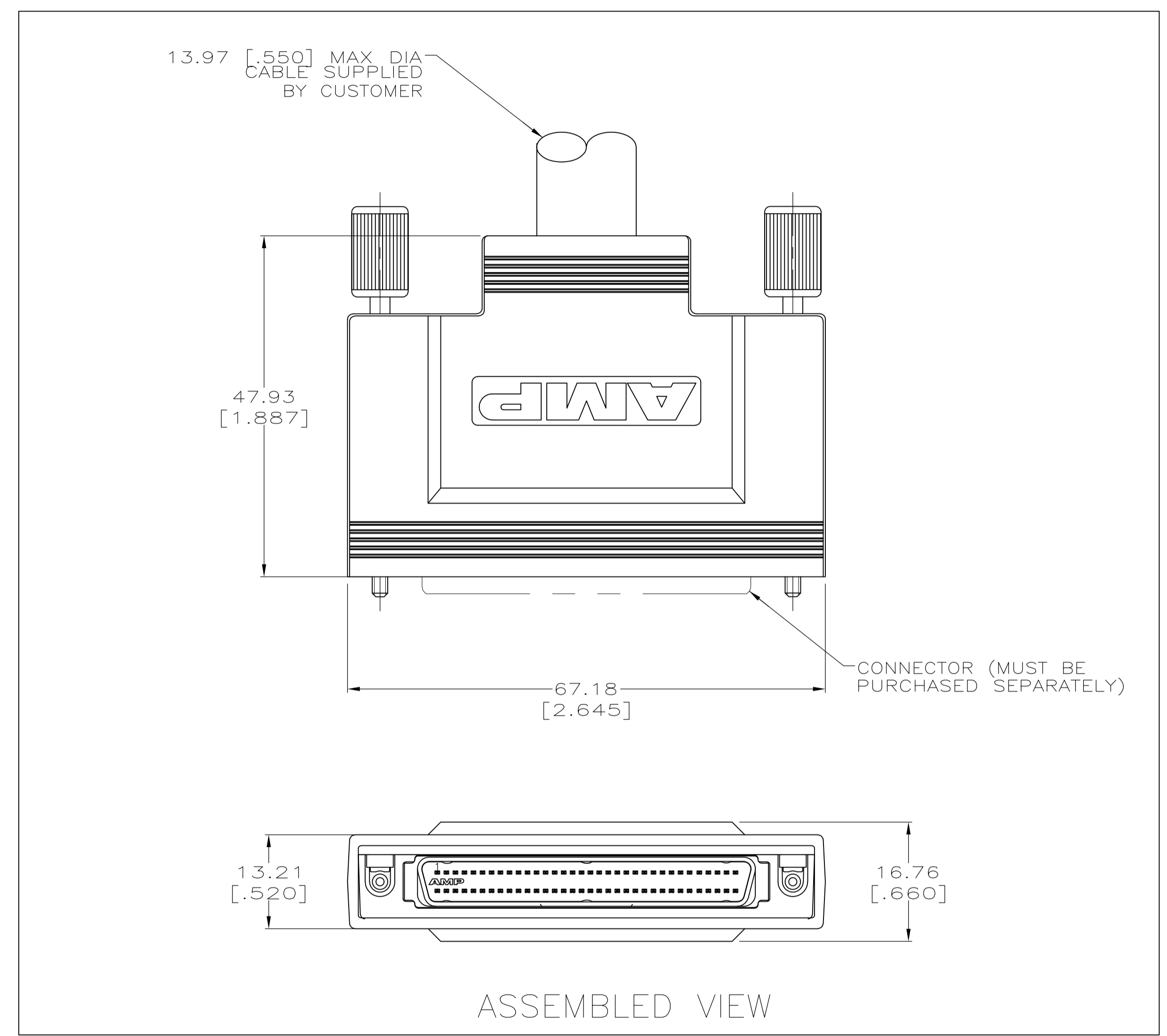
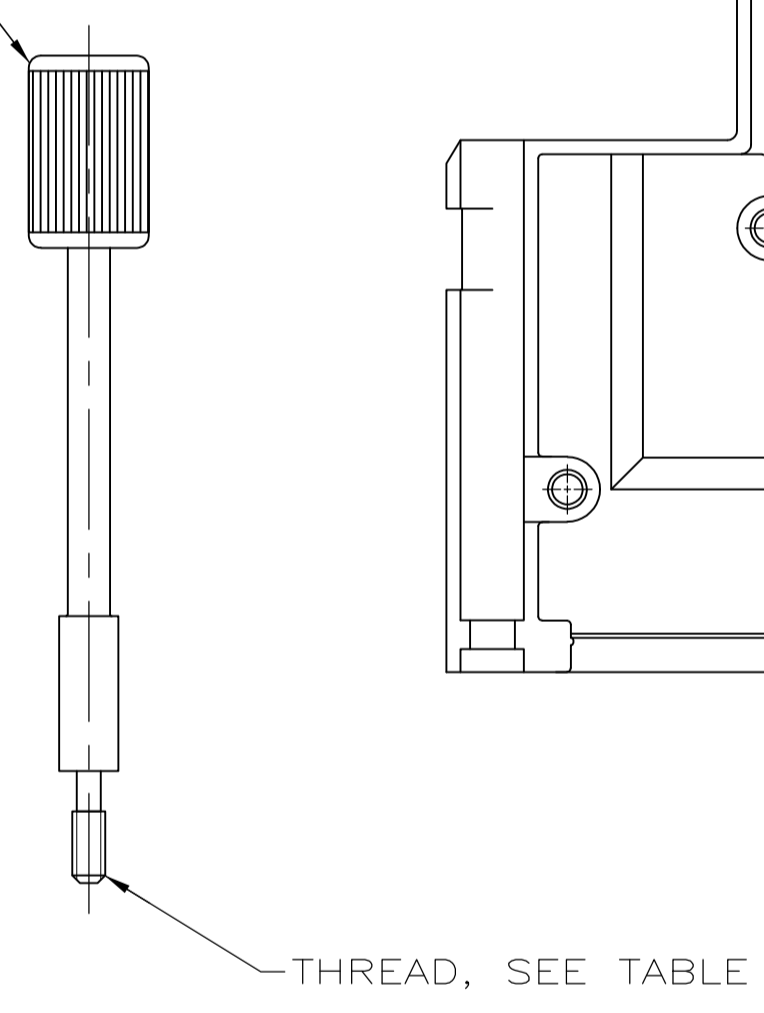
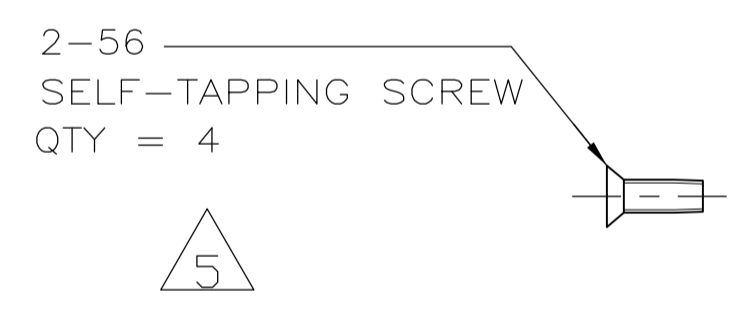
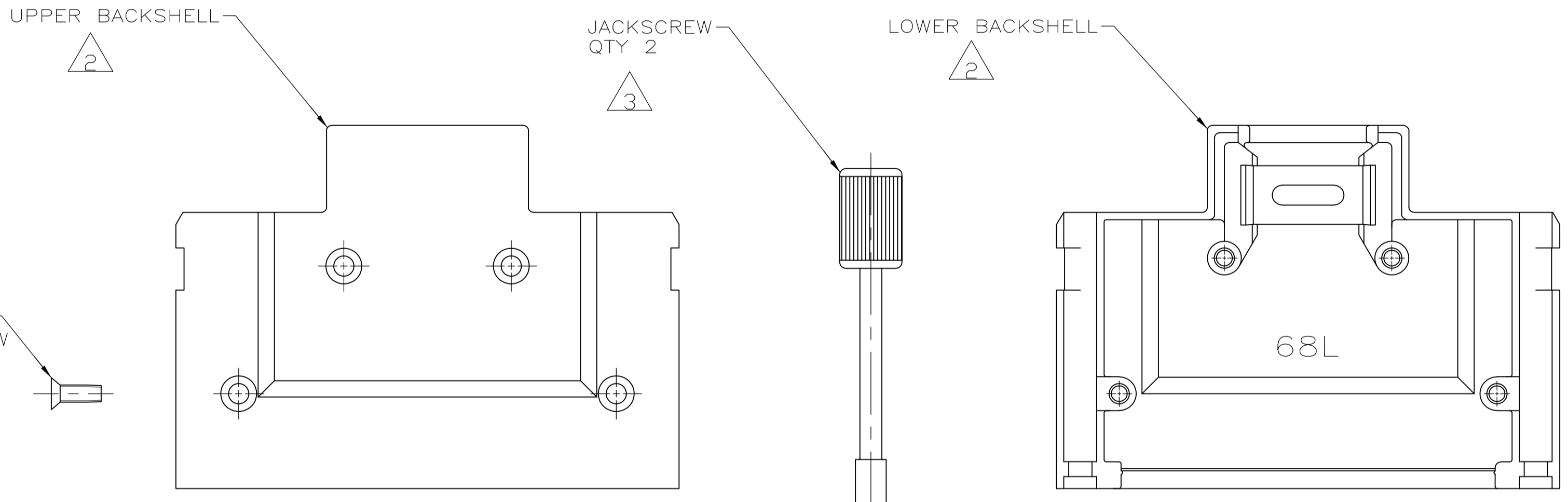
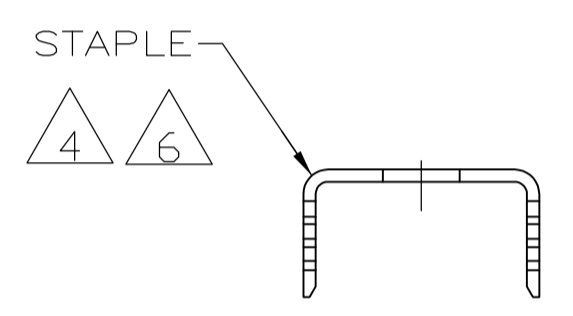
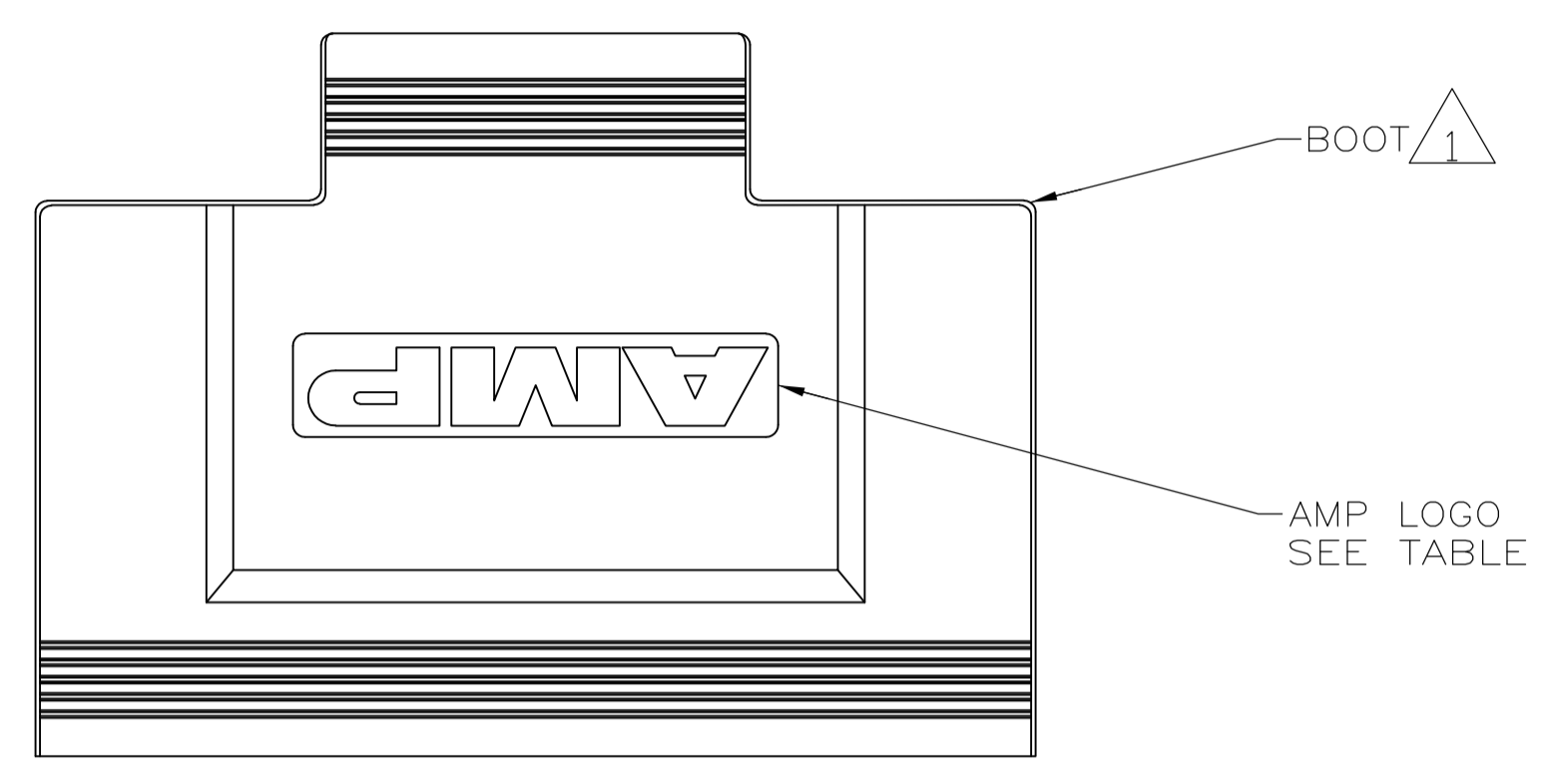


REVISIONS					
P	LTR	DESCRIPTION	DATE	DWN	APVD
C		REVISED PER ECO-16-005483	13APR2016	AP	DG



- 1 PVC, BLACK.
- 2 ZINC.
- 3 STAINLESS STEEL
- 4 CARBON STEEL.
- 5 STAINLESS STEEL.
- 6 1.27µm [.000050] MIN BRIGHT TIN OVER 1.27µm [.000050] MIN NICKEL.
- 7 PARTS INDIVIDUAL BULK PACKAGED.
- 8 PARTS PACKAGED AS A UNIT KIT.
- 9 OBSOLETE PARTS: OBSOLETE CIS STREAMLINING PER D.RENAUD/D.SINISI

OBSOLETE	NO	YES	2-56	7	5750752-5
9	YES	YES	2-56	8	5750752-4
	NO	NO	2-56	7	5750752-3
	YES	YES	4-40	7	5750752-2
	YES	YES	2-56	7	5750752-1
	AMP LOGO	BOOT	JACKSCREW THREAD		PART NUMBER

**COPYRIGHT 2005  
TYCO ELECTRONICS CORP  
ALL RIGHTS RESERVED**

THIS DRAWING IS A CONTROLLED DOCUMENT. DIMENSIONING AND TOLERANCING PER ASME Y14.5M-2009

DIMENSIONS: INCHES	TOLERANCES UNLESS OTHERWISE SPECIFIED:	0. PLC ± -	1. PLC ± -	2. PLC ± -.010	3. PLC ± -	4. PLC ± -	ANGLES ± -	MATERIAL -	FINISH -
--------------------	--	------------	------------	----------------	------------	------------	------------	------------	----------

DIN: G. PETERS	26AUG05	TE Connectivity
CHK: S. SHUEY	26AUG05	
APP'D: M. WALMSLEY	26AUG05	NAME: BACKSHELL KIT, UNASSEMBLED, 68 POSN, AMPLIMITE .050 Series
PRODUCT SPEC: -	APPLICATION SPEC: -	SIZE: A1
WEIGHT: 0.000000	DRAWING NO: 00779	CAGE CODE: 5750752
CUSTOMER DRAWING	SCALE: 1:1	SHEET: 1 OF 1