

5750913-7 Product Details




5750913-7

TE Internal Number: 5750913-7

 Active

.050 Series Cable Connectors (SCSI)

 Always EU RoHS/ELV Compliant
(Statement of Compliance)

Product Highlights:

- Connector
- Connector Style = Plug
- 68 Positions
- Wire/Cable Type = Round Jacketed Cable
- Applies To Cable

Documentation & Additional Information

Product Drawings:

- [PLUG KIT, UNASSEMBLED, DISCRETE WIRE TERMINATING COV...](#) (PDF, English)

Catalog Pages/Data Sheets:

- [AMPLIMITE Subminiature D Connectors - .050 Series Co...](#) (PDF, English)

Product Specifications:

- [Connector, AMPLIMITE, Shielded, .050 Series](#) (PDF, English)

Application Specifications:

- [AMPLIMITE .050 Series Cable End Insulation Displacem...](#) (PDF, English)

Instruction Sheets:

- [Manual Arbor Frame Assembly 58024-1](#) (PDF, English)
- [Repair Tool 58430-1 for AMPLIMITE .050 Series Connectors](#) (PDF, English)
- [AMPLIMITE .050 Series Connectors \(Round-to-Flat Cable\)](#) (PDF, English)
- [Installation and Use of Mass Termination Tooling](#) (PDF, English)
- [Cover Lacing Fixture 91293-1 for AMPLIMITE .050 Seri...](#) (PDF, English)
- [Manual Miniature Applicator Frame Assembly 91295-1](#) (PDF, English)
- [Cover Closing Kits 543508-1 and 543526-1 and Staple ...](#) (PDF, English)
- [Tooling Kit 768900-1](#) (PDF, English)

CAD Files: (CAD Format & Compression Information)

- [2D Drawing](#) (DXF, Version 01)
- [3D Model](#) (IGES, Version 01)
- [3D Model](#) (STEP, Version 01)

[List all Documents](#)

Related Products:

- [Tooling](#)
- [Mating Products \(17\)](#)
- [Hardware \(2\)](#)

Product Features (Please use the Product Drawing for all design activity)

Product Type Features:

- [Product Type](#) = Connector
- [Wire/Cable Type](#) = Round Jacketed Cable
- [Wire Insulation Diameter \(mm \[in\]\)](#) = 0.74 - 0.91 [0.029 - 0.036]
- [Mating Connector Lock](#) = Without
- [Detent](#) = Without
- [Rails](#) = Without
- [Termination Cover](#) = With
- [Product Series](#) = Series III
- [Termination Method to Wire/Cable](#) = Insulation Displacement Crimp (IDC)

Contact Features:

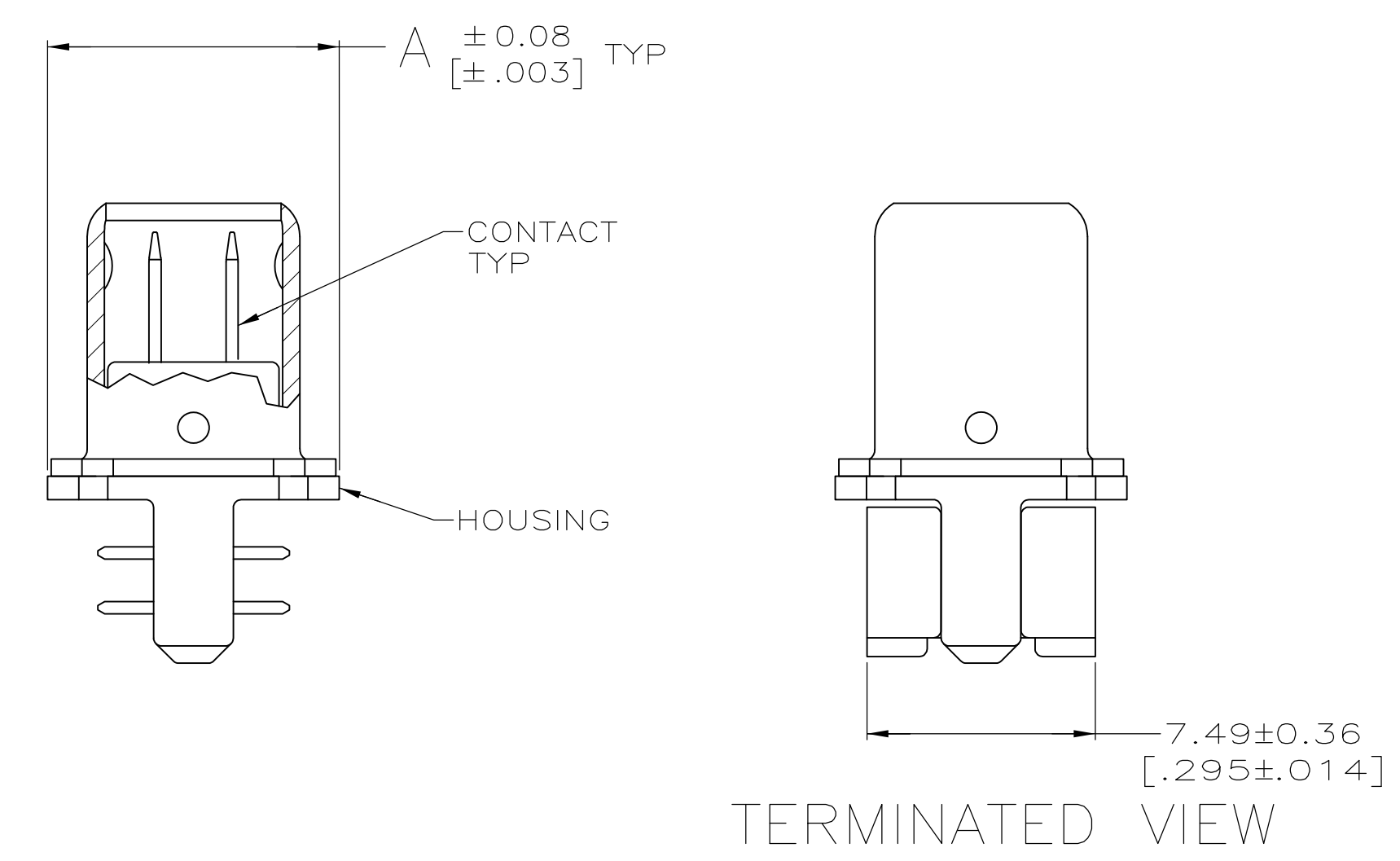
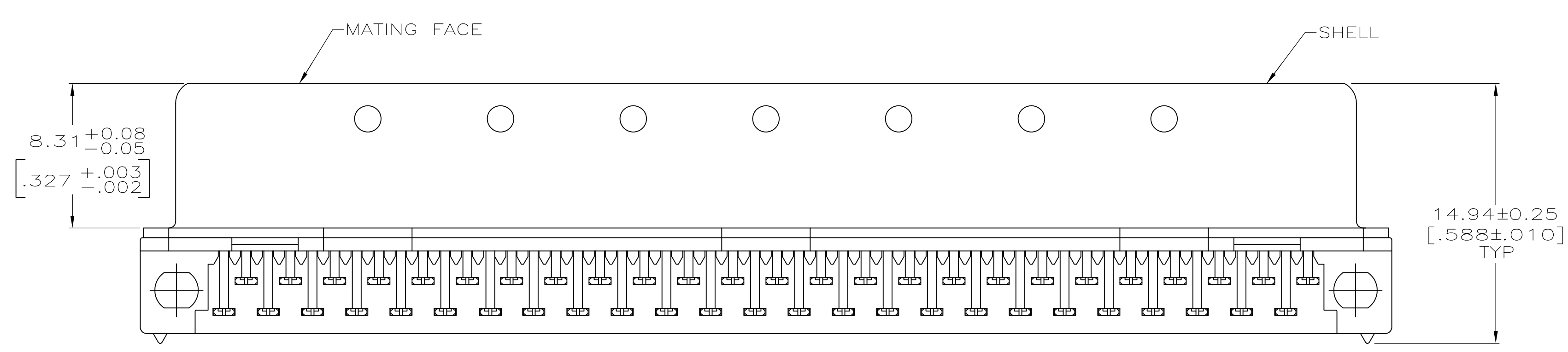
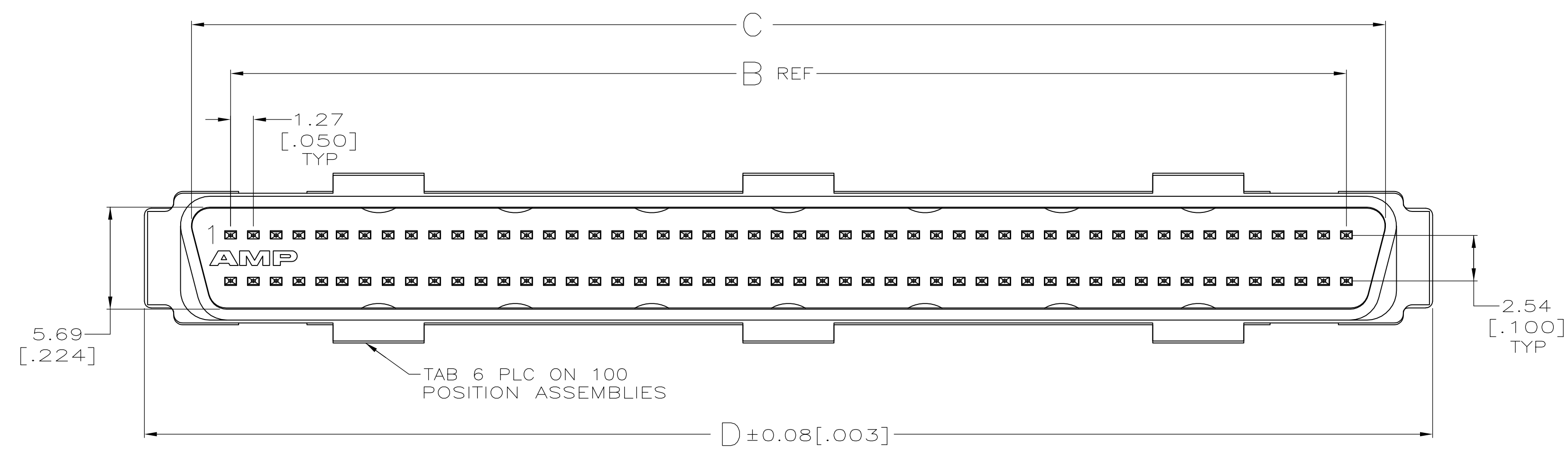
- [Contact Base Material](#) = Phosphor Bronze
- [Contact Plating, Mating Area, Material](#) = Gold Flash over Palladium Nickel, Gold (30)

Housing Features:

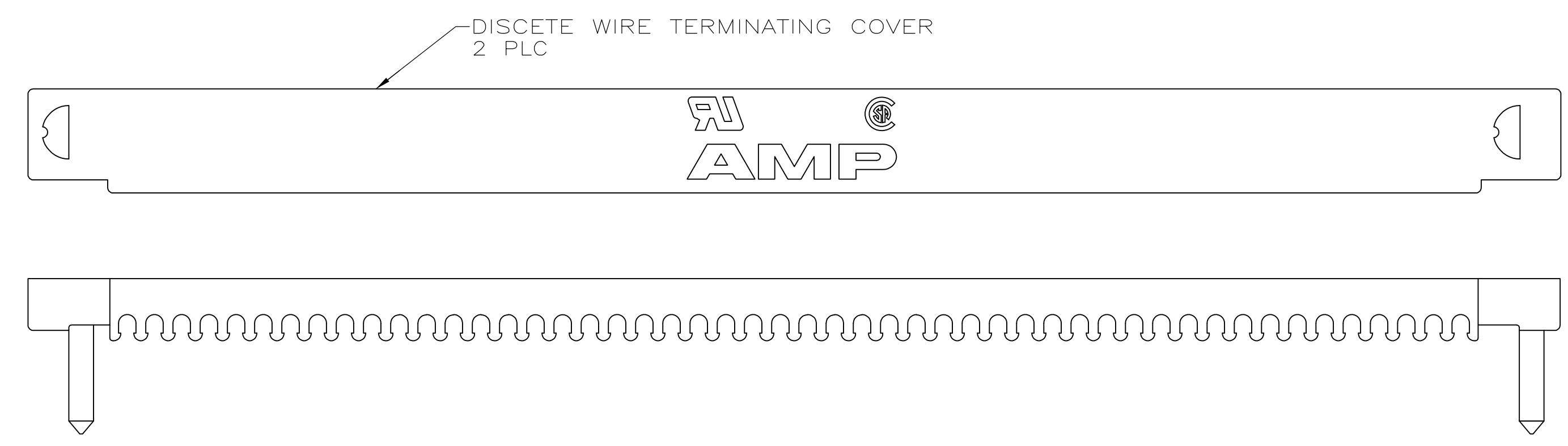
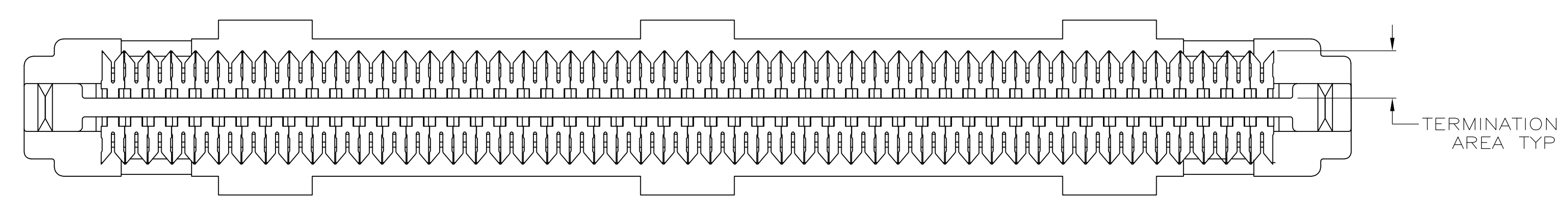
- [Connector Style](#) = Plug
- [Housing Material](#) = Thermoplastic - GF
- [UL Flammability Rating](#) = UL 94V-0

Configuration Features:

- [Number of Positions](#) = 68



- 1 MATERIAL
CONTACTS: PHOSPHOR BRONZE.
SHELL: CARBON STEEL
HOUSING: POLYESTER, BLACK, UL 94V-0 RATED.
TERMINATING COVERS: POLYESTER, UL 94V-0 RATED; COLOR, SEE TABLE
- 2 FINISH
CONTACTS: EITHER 0.76µm [.000030] MIN GOLD PLATE OR GOLD FLASH OVER PALLADIUM NICKEL PLATE, 0.76µm [.000030] MIN TOTAL FOR A LENGTH OF 3.35 [.132] MIN FROM MATING END, 3.00µm [.000118] MIN TIN IN TERMINATION AREA, ALL OVER 1.27µm [.000050] MIN NICKEL.
SHELL: 0.25µm [.000010] MIN TIN-NICKEL OVER 3.81µm [.000150] MIN NICKEL OVER 2.54µm [.000100] MIN COPPER.
- 3 RECOMMENDED WIRE: 28 AWG OR 30 AWG, SOLID OR 7 STRAND, PVC INSULATION, REFER TO TABLE BELOW FOR INSULATION DIA.
- 4. COVERS PACKAGED SEPARATE FROM CONNECTORS IN SAME SHIPPING CONTAINER.



GRAY	0.74-0.79 [.029-.031]	71.86 [2.829]	66.60 [2.622]	62.23 [2.450]	9.47 [.373]	100	1-5750913-9
GRAY	0.74-0.79 [.029-.031]	51.54 [2.029]	46.28 [1.822]	41.91 [1.650]	7.44 [.293]	68	1-5750913-7
GRAY	0.74-0.79 [.029-.031]	40.11 [1.579]	34.85 [1.372]	30.48 [1.200]	7.44 [.293]	50	1-5750913-5
GRAY	0.74-0.79 [.029-.031]	24.87 [.979]	19.61 [.772]	15.24 [.600]	7.44 [.293]	26	1-5750913-2
BLACK	0.81-0.91 [.032-.036]	51.54 [2.029]	46.28 [1.822]	41.91 [1.650]	7.44 [.293]	68	5750913-7
BLACK	0.81-0.91 [.032-.036]	40.11 [1.579]	34.85 [1.372]	30.48 [1.200]	7.44 [.293]	50	5750913-5
OBSELETE	0.81-0.91 [.032-.036]	33.76 [1.329]	28.50 [1.122]	24.13 [.950]	7.44 [.293]	40	5750913-4
BLACK	0.81-0.91 [.032-.036]	24.87 [.979]	19.61 [.772]	15.24 [.600]	7.44 [.293]	26	5750913-2
TERMINATING COVERS COLOR	INSULATION OUTER DIA	D	C	B	A	NO OF POSN	PART NUMBER

**COPYRIGHT 2005
TE CONNECTIVITY CORP
ALL RIGHTS RESERVED**

THIS DRAWING IS A CONTROLLED DOCUMENT.

DIMENSIONS: mm [INCHES]	TOLERANCES UNLESS OTHERWISE SPECIFIED:	APPROVED: M. WALMSLEY	DATE: 02-18-05
0 PLC ± -	1 PLC ± -	2 PLC ± ± 0.13[.005]	3 PLC ± ± -
MATERIAL	FINISH	SIZE: A1	SCALE: 5:1
CUSTOMER DRAWING		DRAWING NO: 108-1228	REV: C1

STE TE Connectivity

PLUG KIT, UNASSEMBLED, DISCRETE WIRE TERMINATING COVER, .050 SERIES, AMPLIMITE