

Distributed by:

**JAMECO**<sup>®</sup>  
ELECTRONICS

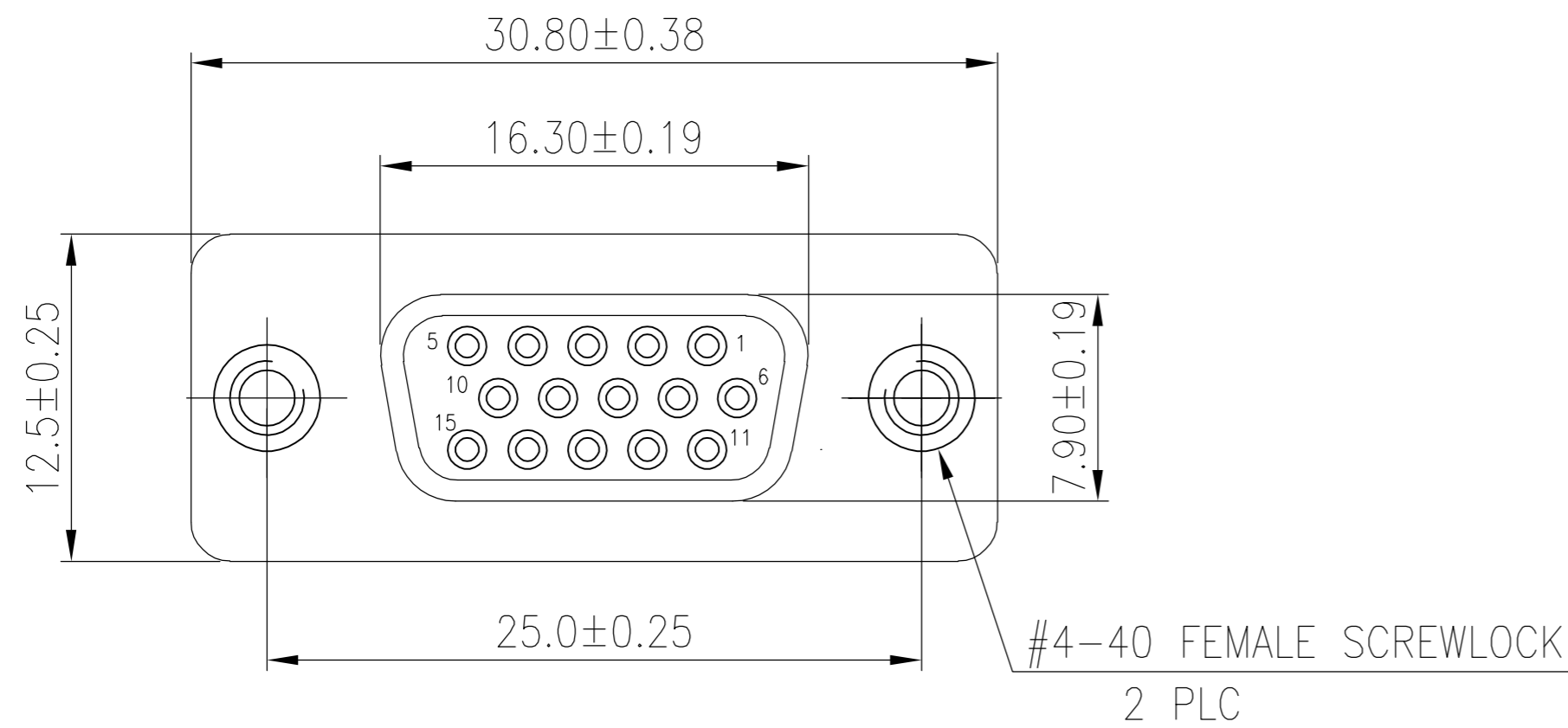
**www.Jameco.com ♦ 1-800-831-4242**

The content and copyrights of the attached  
material are the property of its owner.

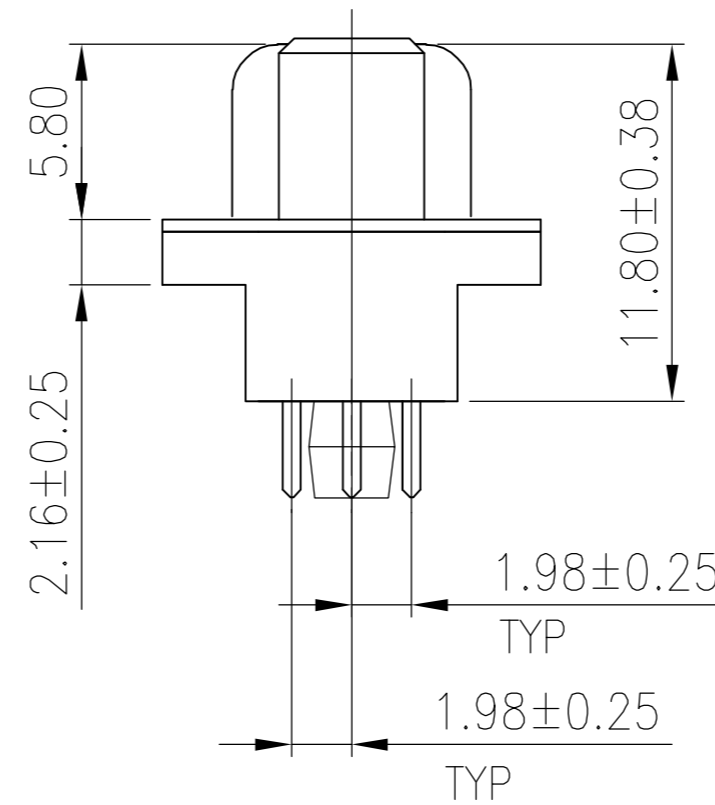
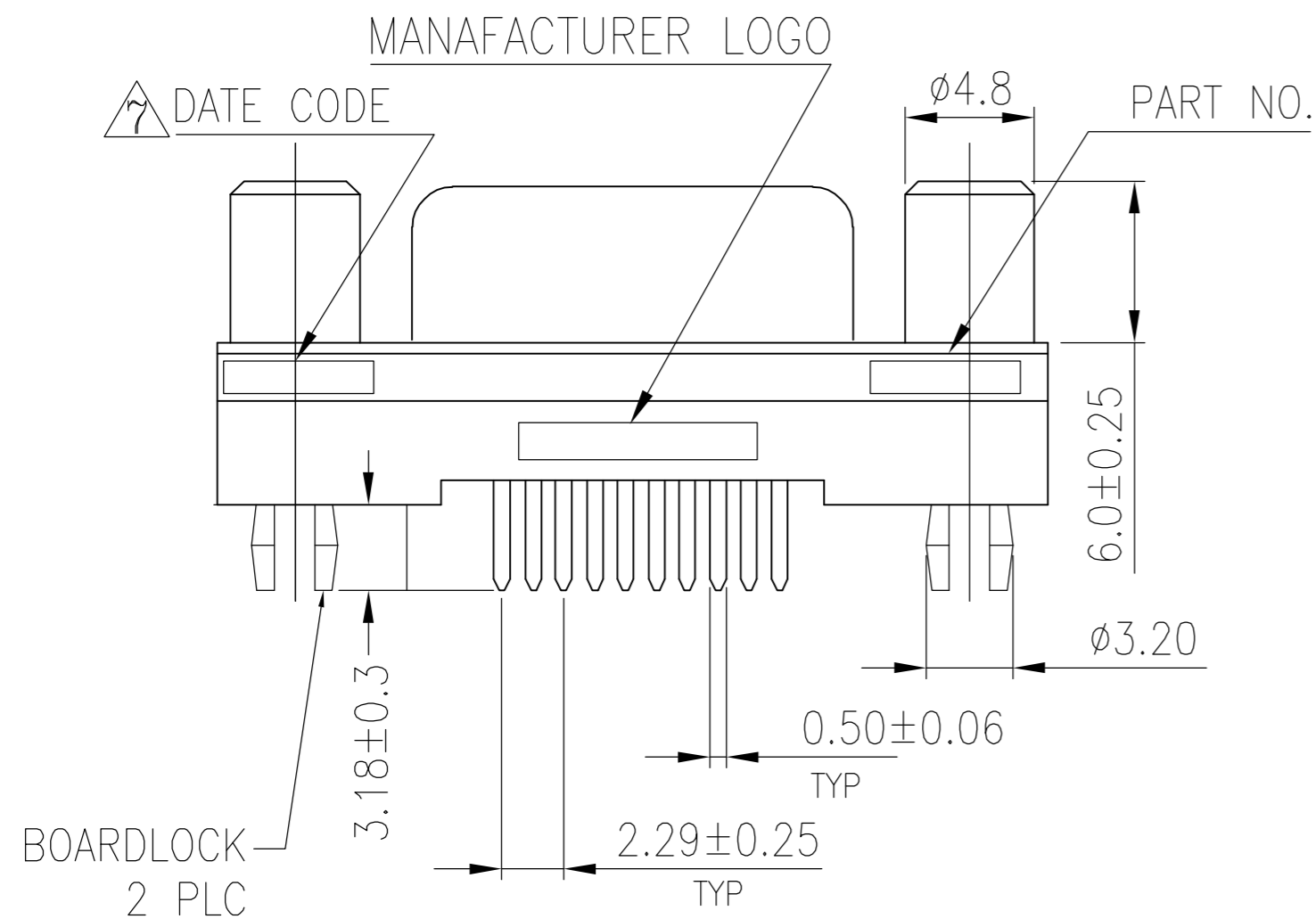
Jameco Part Number 1933161

THIS DRAWING IS UNPUBLISHED. RELEASED FOR PUBLICATION  
 © COPYRIGHT BY TYCO ELECTRONICS CORPORATION. ALL RIGHTS RESERVED.

LOC		DIST		REVISIONS			
GP	00	P	LTR	DESCRIPTION	DATE	DWN	APVD
		A		REVISED PER ECO-06-029348	21DEC06	JDP	SLB

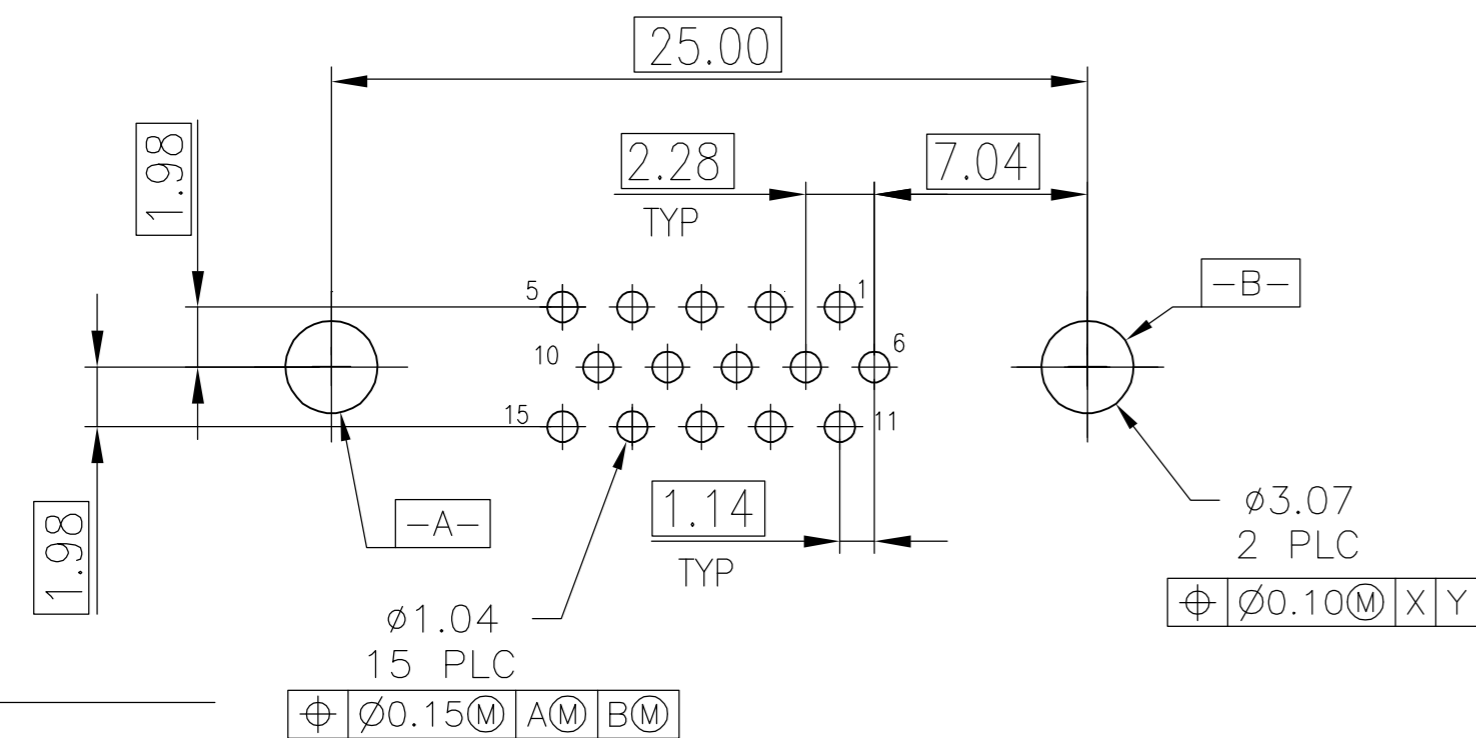


- HOUSING MATERIAL: PBT, GLASS FILLED, BLACK, UL 94V-0 RATED.
- CONTACT MATERIAL: PHOSPHOR BRONZE.
- CONTACT FINISH: GOLD PLATE IN MATING AREA (SEE TABLE), 120μ" MIN TIN PLATE ON SOLDER TAIL, BOTH OVER 50μ" MIN NICKEL UNDERPLATE.
- SHELL: STEEL, NICKEL PLATE.
- FEMALE SCREWLOCKS: BRASS, 50u" MIN NICKEL PLATE OVER 50u" MIN COPPER UNDERPLATE.
- BOARDLOCKS: BRASS, 100u" MIN TIN PLATE OVER 50u" MIN NICKEL UNDERPLATE.



△ FOUR DIGIT DATE CODE IN THIS FORMAT.  
 Year 01 45 Manufacturing Week

△ DATUMS [-X-] & [-Y-] TO BE ESTABLISHED BY CUSTOMER.



**RECOMMENDED PCB LAYOUT**

Tray	Gold Flash	5786382-4
Tray	15μ" MIN	5786382-3
Tray	30μ" MIN	5786382-1
Packaging	CONTACT MATING AREA FINISH	PART NUMBER

THIS DRAWING IS A CONTROLLED DOCUMENT.		DWN B. MCMASTER 22SEP05	<b>tyco</b> Electronics	Tyco Electronics Corporation Harrisburg, PA 17105-3608	
DIMENSIONS: mm		CHK S. BOLASH 22SEP05		NAME	
TOLERANCES UNLESS OTHERWISE SPECIFIED:		APVD M. WALMSLEY 22SEP05	AMPLIMITE HD-22, 15 POS RECEPTACLE, VERTICAL		
0 PLC ± -		PRODUCT SPEC	SIZE A2	CAGE CODE 00779	DRAWING NO C=5786382
1 PLC ± 0.30		APPLICATION SPEC	WEIGHT -	SCALE 4:1	SHEET 1 of 1
2 PLC ± 0.20		FINISH	CUSTOMER DRAWING	RESTRICTED TO	REV A
3 PLC ± 0.10					
4 PLC ± -					
ANGLES ± 2'					

5786382