

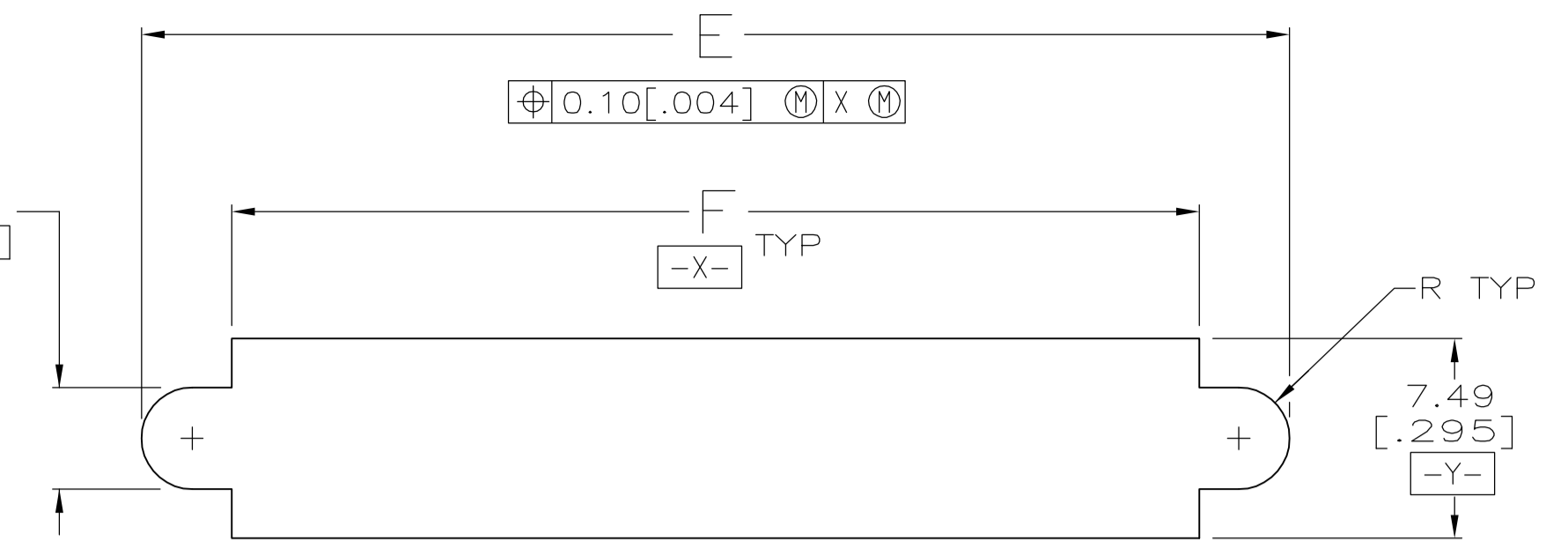
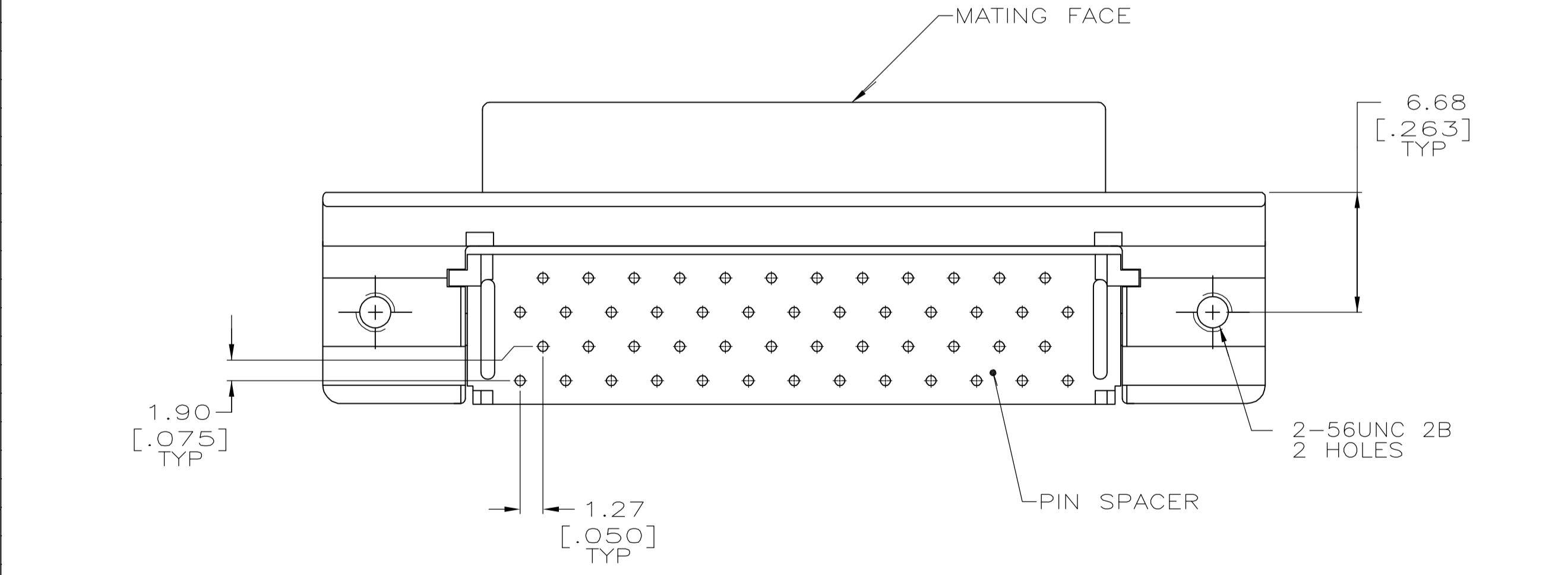
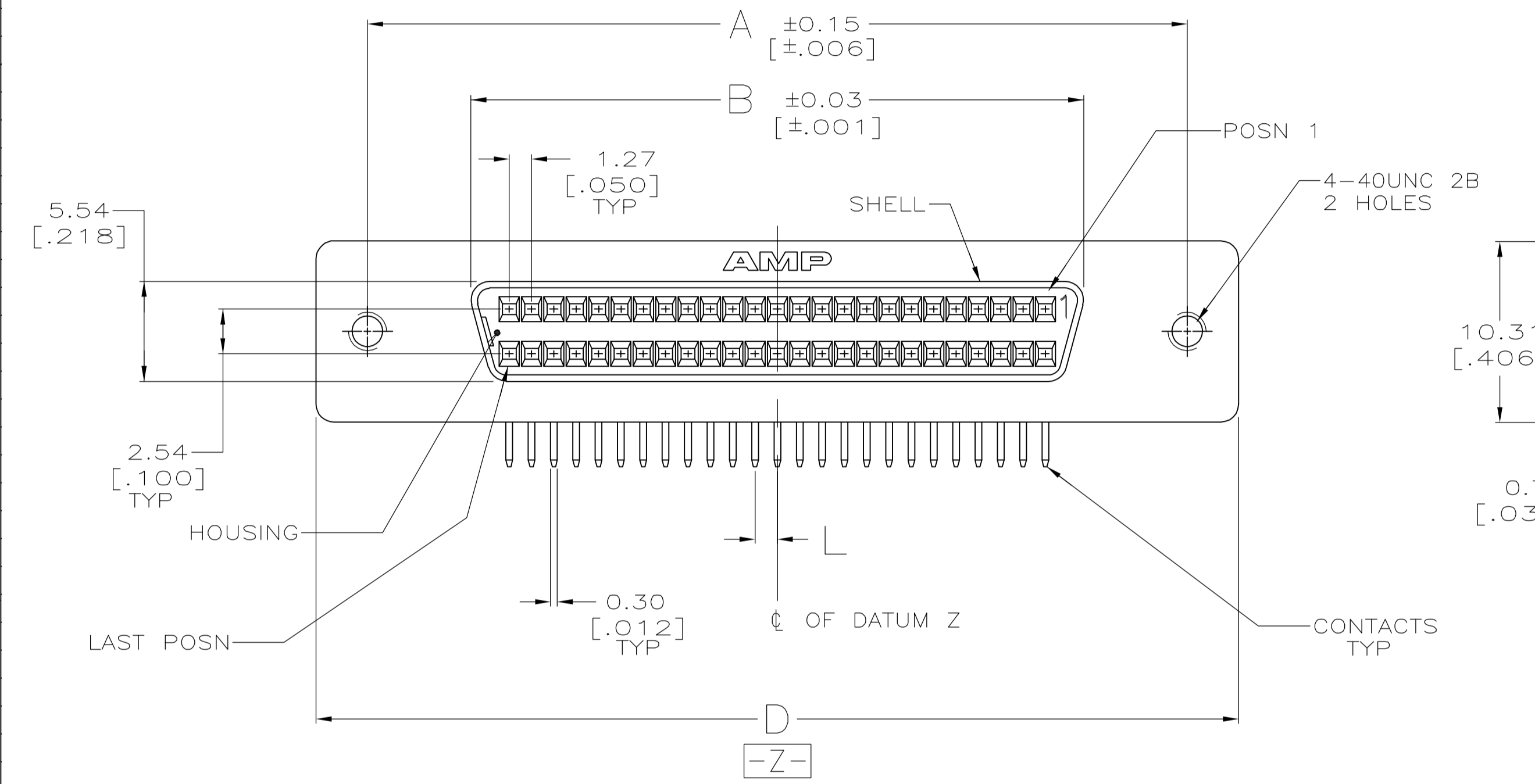
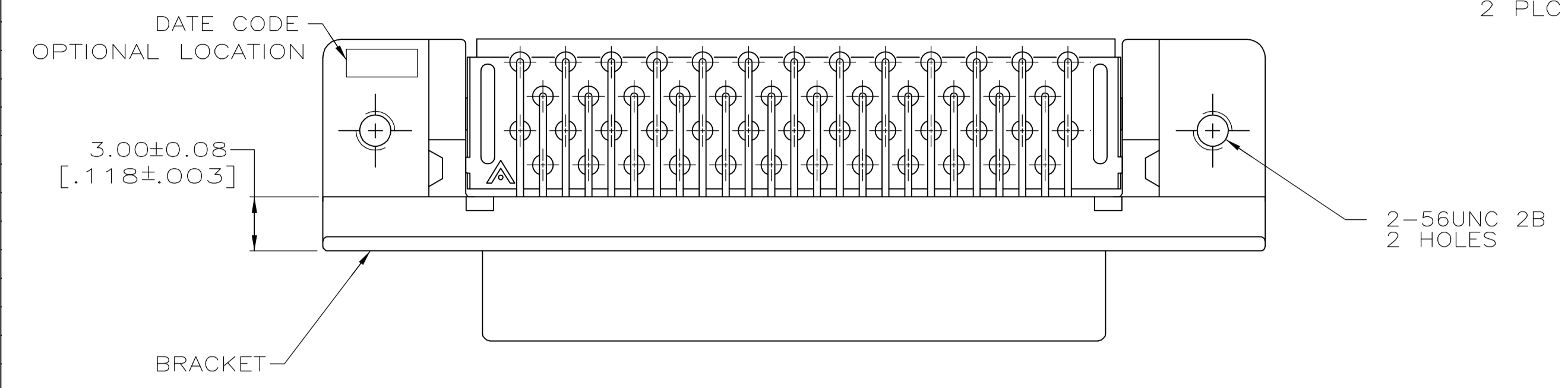
Distributed by:

**JAMECO**<sup>®</sup>  
ELECTRONICS

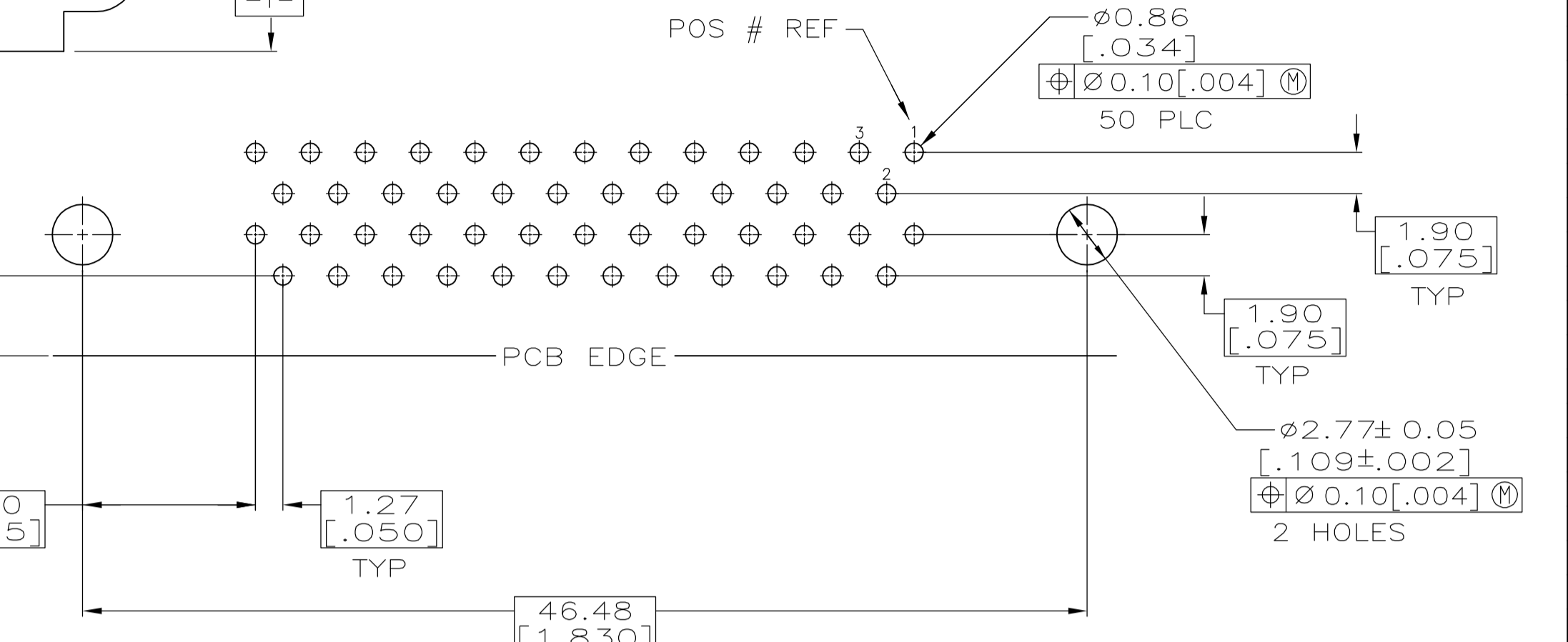
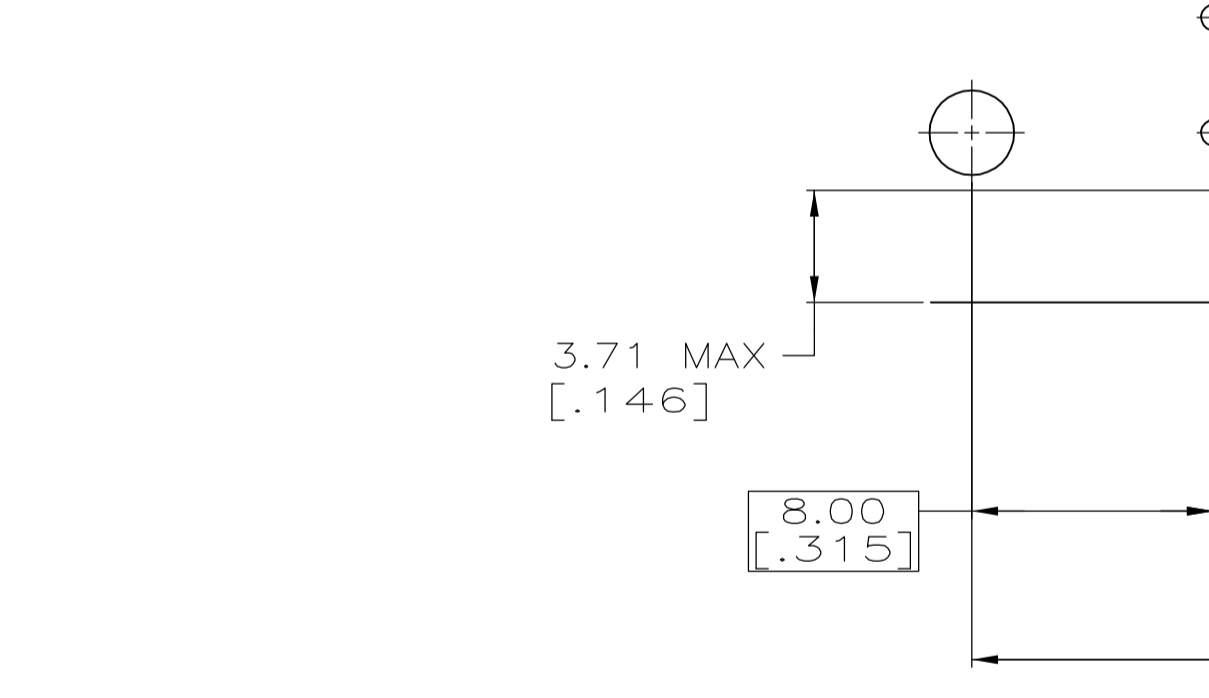
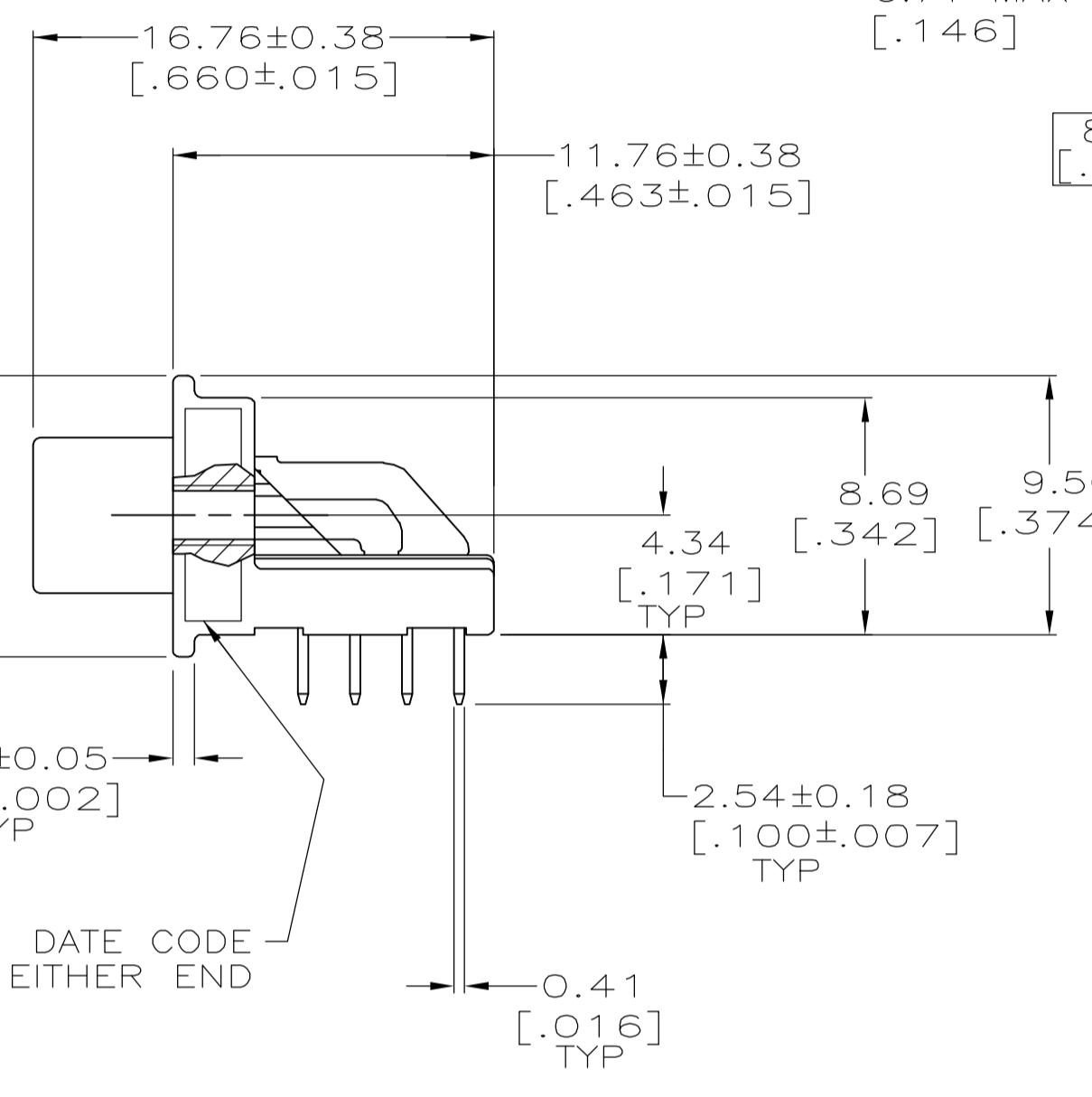
**www.Jameco.com ♦ 1-800-831-4242**

The content and copyrights of the attached  
material are the property of its owner.

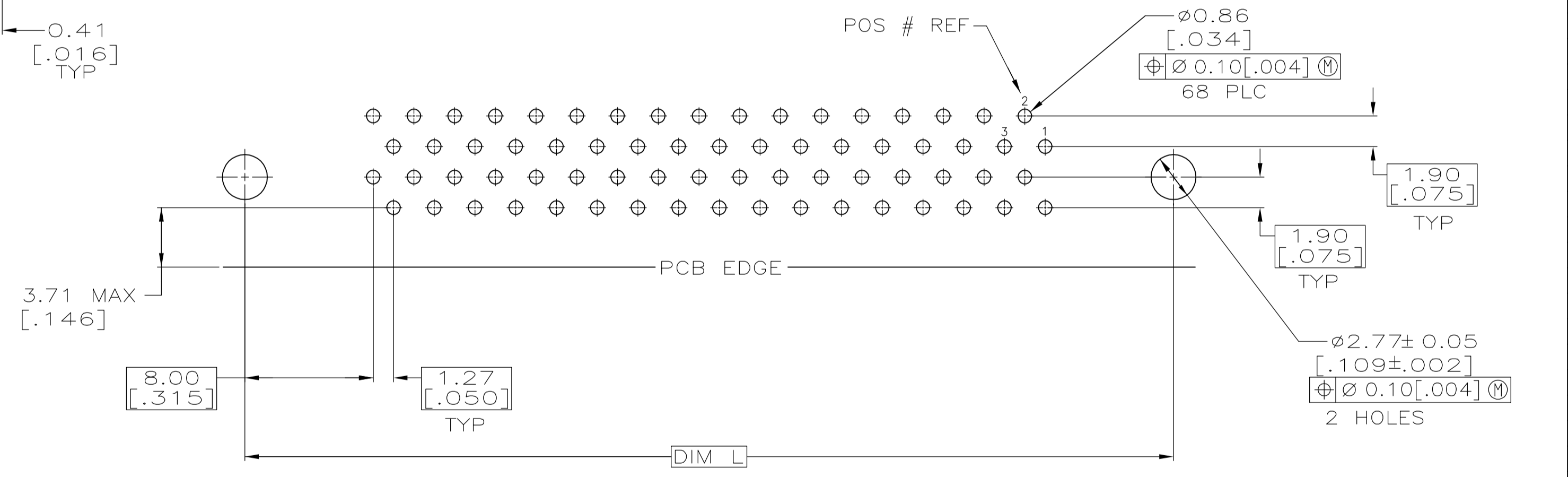
Jameco Part Number 755420



RECOMMENDED PANEL CUTOUT



P.C. BOARD MOUNTING DIMENSIONS  
CONNECTOR SIDE  
P.C. BOARD THICKNESS 1.57±0.20 [.062]  
PC BOARD PATTERN S



P.C. BOARD MOUNTING DIMENSIONS  
CONNECTOR SIDE  
P.C. BOARD THICKNESS 1.57±0.20 [.062]  
PC BOARD PATTERN T

- 1 HOUSING & PIN SPACER: UL94V-0 RATED THERMOPLASTIC, COLOR BLACK.  
SHELL: CARBON STEEL.  
CONTACTS: PHOS BRONZE.  
BRACKET: ZINC.
- 2 SHELL: 0.00508[.000200] MIN NICKEL OVER 0.00127[.000050] MIN COPPER.  
CONTACTS: 0.00076[.000030] MIN GOLD ON MATING END, 0.00381[.000150] MIN TIN ON SOLDER END, ALL OVER 0.00127[.000050] MIN NICKEL ON ENTIRE CONTACT.  
BRACKET: 0.00254[.000100] MIN NICKEL OVER 0.00508[.000200] MIN COPPER.

	T	78.23 [3.080]	0.64 [.025]	69.44 [2.734]	82.04 [3.230]	84.20 [3.315]	66.45 [2.616]	78.23 [3.080]	100	5787169-9
	T	57.91 [2.280]	0.64 [.025]	49.12 [1.934]	61.72 [2.430]	63.88 [2.515]	46.13 [1.816]	57.91 [2.280]	68	5787169-7
OBSOLETE	S	-	1.27 [.050]	37.69 [1.484]	50.29 [1.980]	52.45 [2.065]	34.70 [1.366]	46.48 [1.830]	50	5787169-5
	PC BOARD PATTERN	L	G	F	E	D	B	A	NO OF POSN	PART NUMBER

THIS DRAWING IS A CONTROLLED DOCUMENT.

DIMENSIONS: mm[INCHES]	TOLERANCES UNLESS OTHERWISE SPECIFIED:	APPRO	DATE	NAME
0 PLC ± .005	1 PLC ± .005	J. GERACE	20JAN05	M. WALMSLEY
1 PLC ± .005	2 PLC ± .010	S. SHUEY	13DEC05	108-1228
3 PLC ± .013 [.005]	4 PLC ± .020			114-40029
ANGLES ± .005				
MATERIAL	FINISH	WEIGHT	SIZE	CAGE CODE
			A1	00779
			SCALE	SHEET
			4:1	1 of 1

THIS DRAWING IS A CONTROLLED DOCUMENT. Tyco Electronics Corporation, Harrisburg, Pa 17105-3608. RECEPTACLE ASSEMBLY, RIGHT ANGLE, SHIELDED, 1.27[.050] SERIES, AMPLIMITE. CUSTOMER DRAWING. SCALE 4:1. SHEET 1 of 1. REV 01.