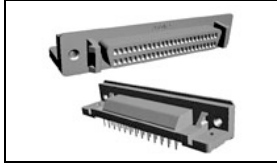


5787394-7 Product Details



5787394-7

TE Internal Number: 5787394-7



.050 Series Board Mount Connectors



Product Highlights:

- Connector
- Connector Style = Receptacle
- 68 Positions
- PCB Mounting Orientation = Right Angle
- Termination Method to PC Board = Through Hole - Solder

Documentation & Additional Information

Product Drawings:

- [RECEPTACLE ASSEMBLY, SHIELDED, TM RIGHT ANGLE, .050 ...](#) (PDF, English)

Catalog Pages/Data Sheets:

- [AMPLIMITE Subminiature D Connectors - .050 Series Co...](#) (PDF, English)

Product Specifications:

- [Connector, AMPLIMITE, Shielded, .050 Series](#) (PDF, English)

Application Specifications:

- [AMPLIMITE .050 Series Cable End Insulation Displacem...](#) (PDF, English)

Instruction Sheets:

- None Available

CAD Files: (CAD Format & Compression Information)

- [2D Drawing](#) (DXF, Version C)
- [3D Model](#) (IGES, Version C)
- [3D Model](#) (STEP, Version C)

Additional Information:

- [Product Line Information](#)

Additional Product Images:

- [Panel Cutout](#)

Related Products:

- [Tooling](#)
- [Mating Products \(8\)](#)
- [Hardware \(1\)](#)

Product Features (Please use the Product Drawing for all design activity)

Product Type Features:

- [Product Type](#) = Connector
- [PCB Mounting Orientation](#) = Right Angle
- [Termination Method to PC Board](#) = Through Hole - Solder
- [PCB Mount Retention](#) = Without
- [PCB Mount Alignment](#) = Without
- [Shell Type](#) = Full Metal
- [Product Series](#) = Series III
- [Shell Material](#) = Steel

Mechanical Attachment:

- [Mating Retention Type](#) = Latching

Electrical Characteristics:

- [Shielded](#) = Yes

Termination Features:

- [Termination Post Length \(mm \[in\]\)](#) = 2.54 [0.100]

Dimensions:

- [PCB Thickness, Recommended \(mm \[in\]\)](#) = 1.57 [0.062]

Body Features:

- [Mating Retention](#) = With
- [Post Plating](#) = Tin over Nickel
- [Shell Plating](#) = Bright Tin
- [Bracket Material](#) = Zinc
- [Bracket Plating](#) = Nickel over Copper

Contact Features:

- [Contact Plating, Mating Area, Material](#) = Gold (30), Gold Flash over Palladium Nickel
- [Contact Base Material](#) = Phosphor Bronze

Housing Features:

- [Connector Style](#) = Receptacle
- [Mating Alignment](#) = Without
- [Centerline \(mm \[in\]\)](#) = 1.27 [0.050]
- [Housing Material](#) = Thermoplastic - GF
- [UL Flammability Rating](#) = UL 94V-0
- [Housing Color](#) = Black

Configuration Features:

- [Number of Positions](#) = 68

Industry Standards:

- [RoHS/ELV Compliance](#) = RoHS compliant, ELV compliant
- [Lead Free Solder Processes](#) = Reflow solder capable to 245°C, Reflow solder capable to 260°C
- [RoHS/ELV Compliance History](#) = Always was RoHS compliant

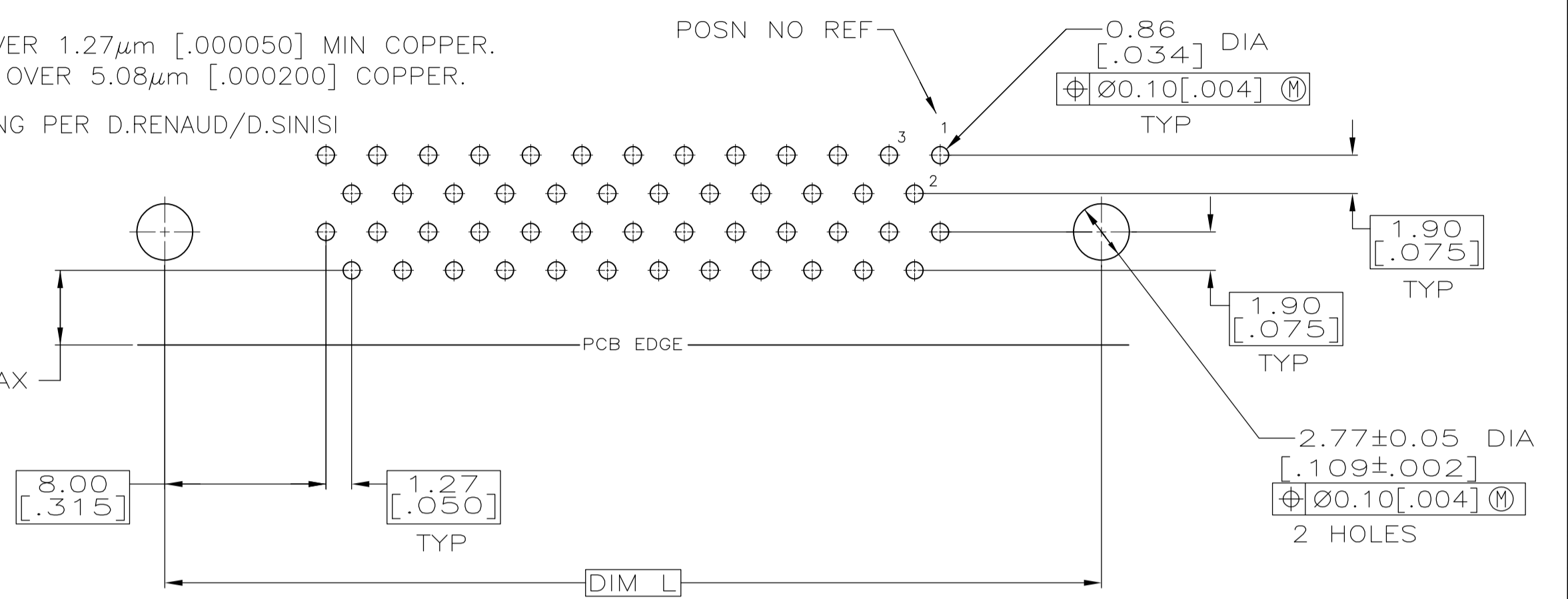
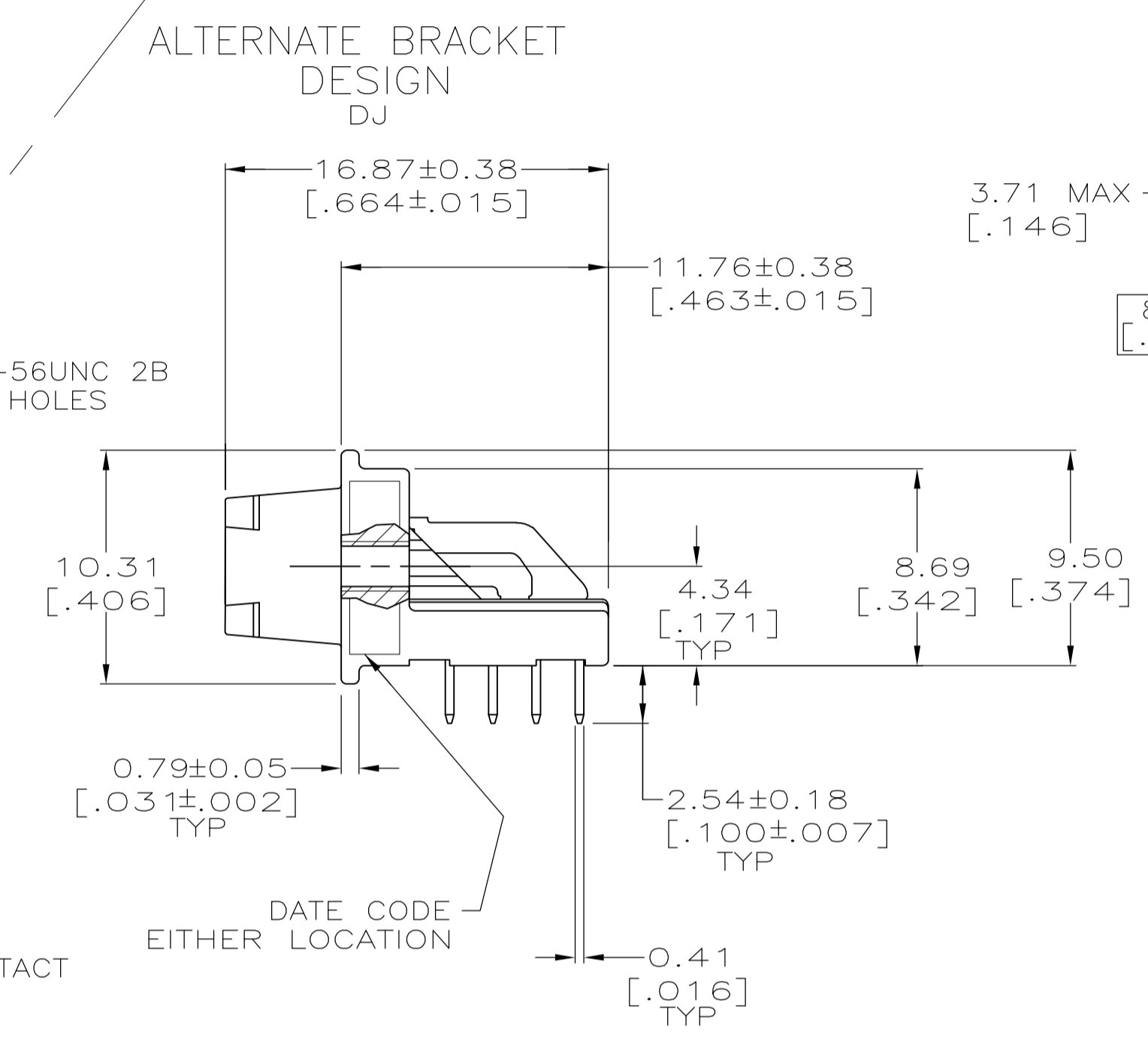
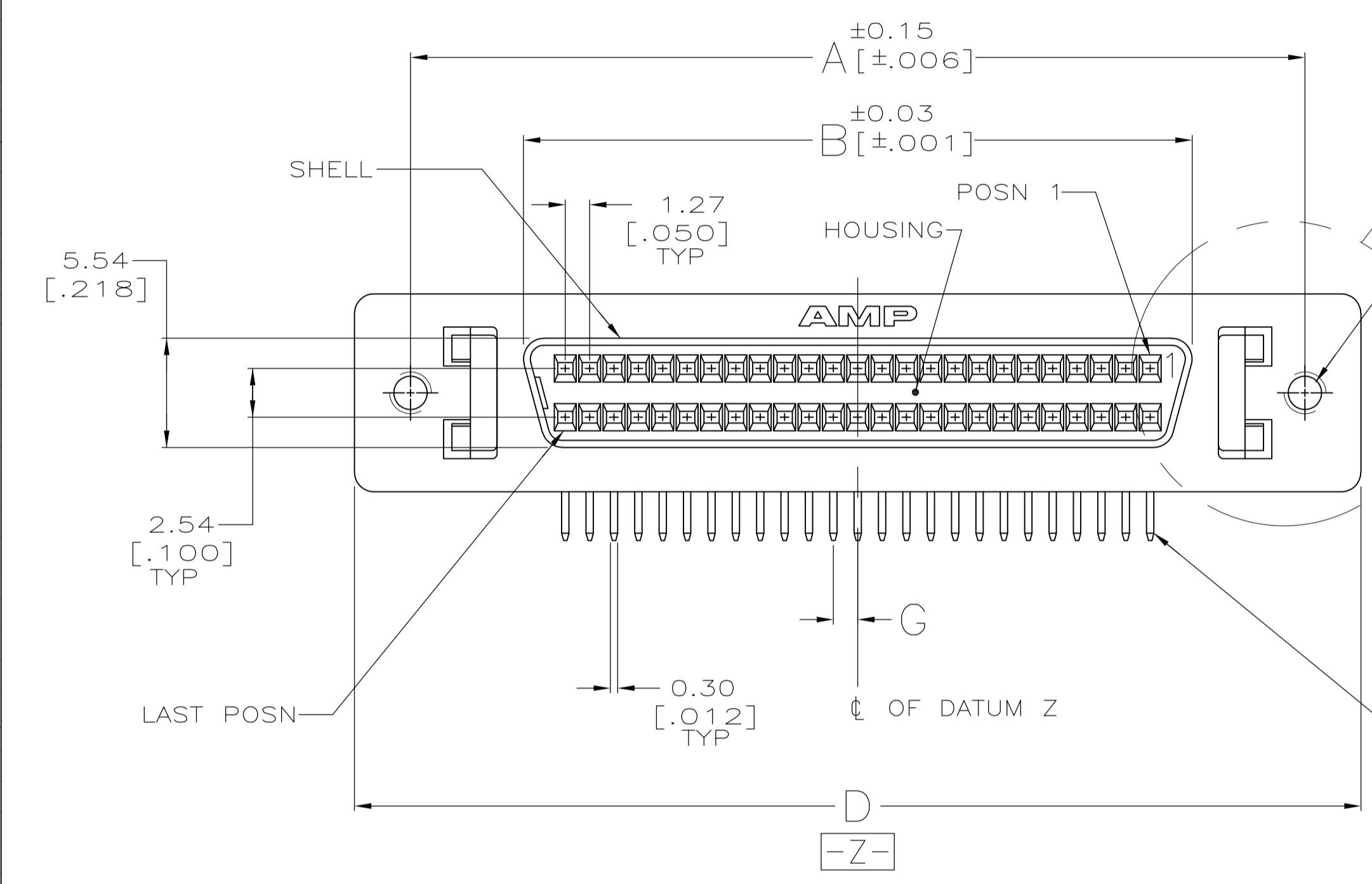
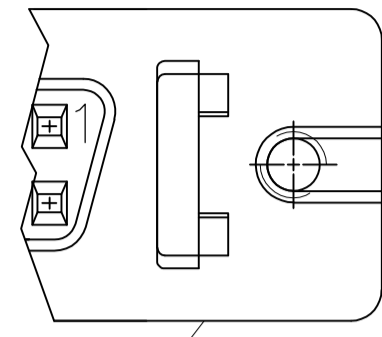
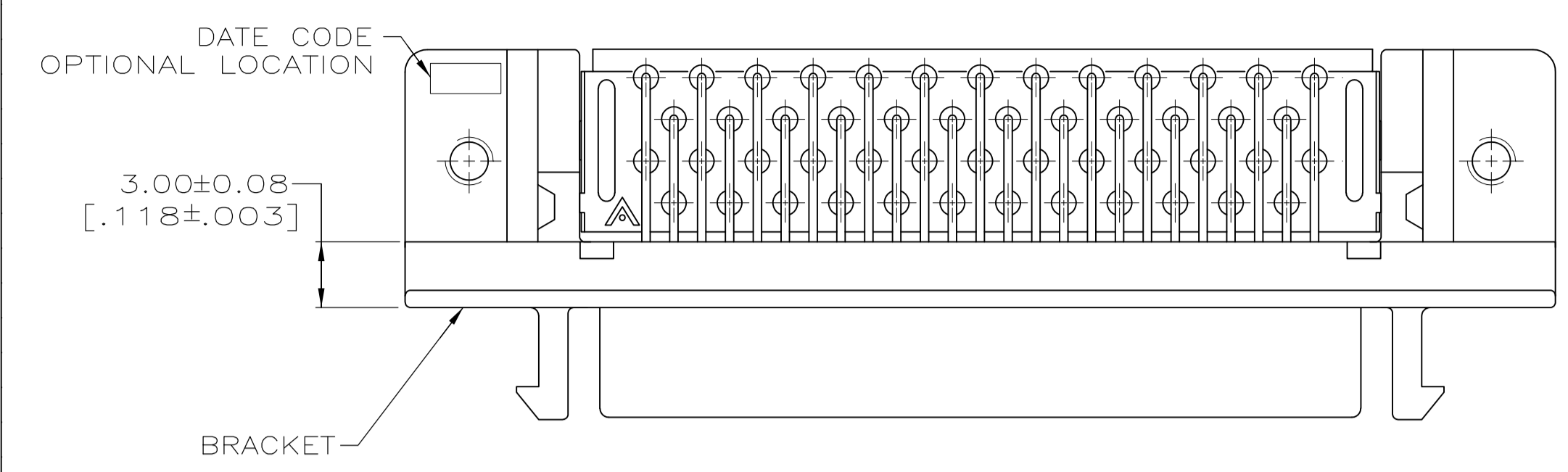
Other:

- [Brand](#) = AMP

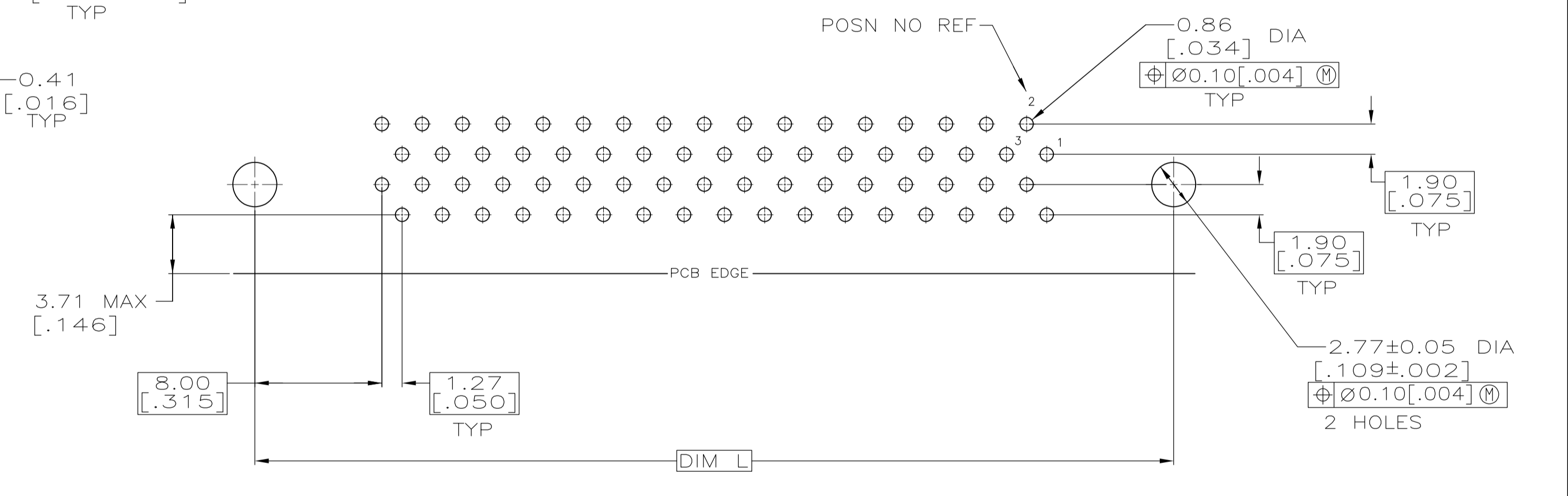
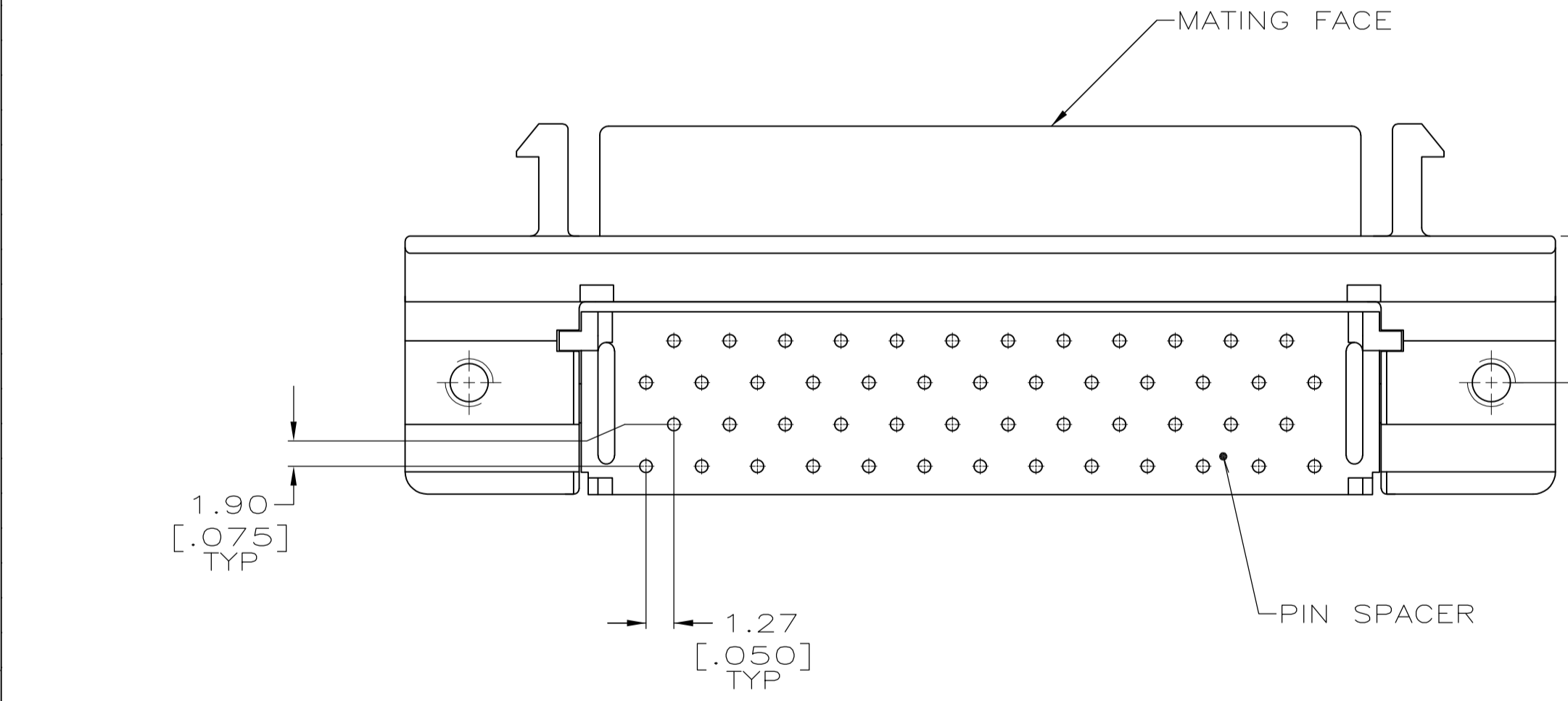
△ CONTACTS: PHOSPHOR BRONZE
 HOUSING & PIN SPACER: UL 94V-0 RATED, THERMOPLASTIC, BLACK
 BRACKET: ZINC
 SHELL: CARBON STEEL

△ CONTACTS: EITHER 0.76µm [.000030] MIN GOLD PLATE FOR A LENGTH OF 0.64 [.025] MAX, 0.13 [.005] MIN FROM MATING END OR GOLD FLASH OVER PALLADIUM NICKEL PLATE, 0.76µm [.000030] MIN TOTAL FOR A LENGTH OF 0.64 [.025] MAX, 0.13 [.005] MIN FROM MATING END. 3.81µm [.000150] MIN TIN ON OPPOSITE END FOR A LENGTH OF 2.72 [.107] MIN, BOTH OVER 1.27µm [.000050] MIN NICKEL.
 SHELL: 5.08µm [.000200] MIN NICKEL OVER 1.27µm [.000050] MIN COPPER.
 BRACKET: 2.54µm [.000100] MIN NICKEL OVER 5.08µm [.000200] COPPER.

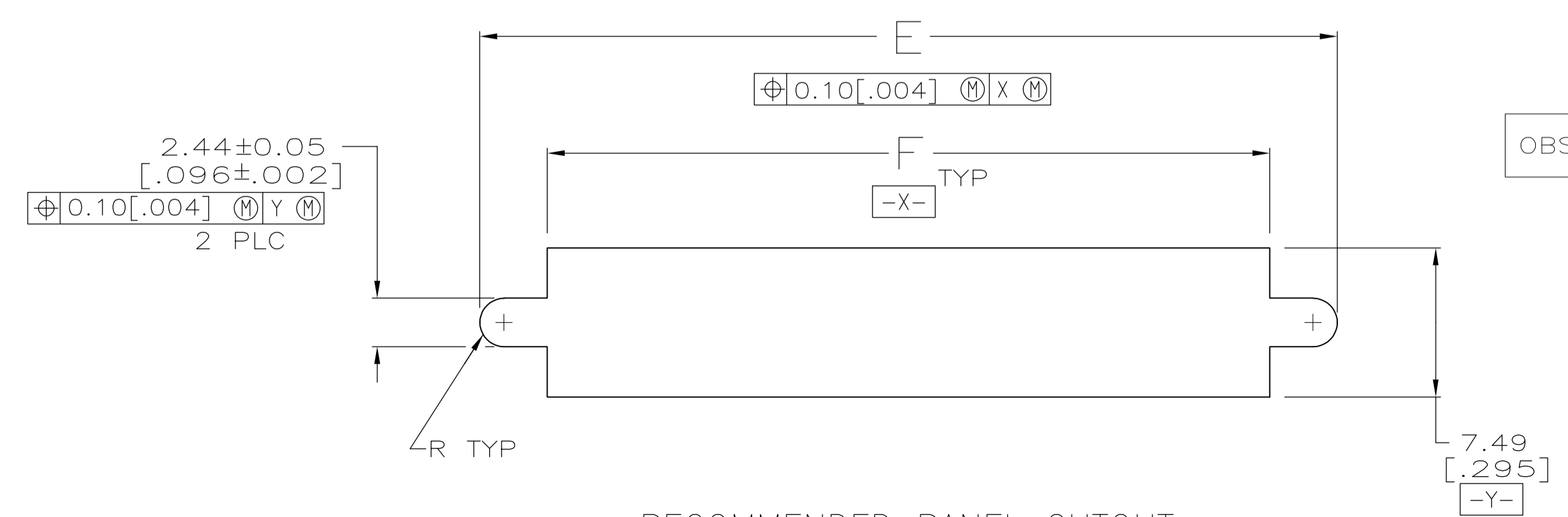
△ OBSOLETE PARTS: OBSOLETE CIS STREAMLINING PER D.RENAUD/D.SINISI



P.C. BOARD MOUNTING DIMENSIONS
 CONNCTOR SIDE
 P.C. BOARD THICKNESS 1.57±0.20 [.062±.008]
 PC BOARD PATTERN S



P.C. BOARD MOUNTING DIMENSIONS
 CONNCTOR SIDE
 P.C. BOARD THICKNESS 1.57±0.20 [.062±.008]
 PC BOARD PATTERN T



RECOMMENDED PANEL CUTOUT

△ OBSOLETE	T	78.23 [3.080]	0.64 [.025]	74.55 [2.935]	80.67 [3.176]	84.20 [3.315]	66.45 [2.616]	78.23 [3.080]	100	5787394-9
	T	65.53 [2.580]	0.64 [.025]	61.85 [2.435]	67.97 [2.676]	71.50 [2.815]	53.75 [2.116]	65.53 [2.580]	80	5787394-8
OBSOLETE	T	57.91 [2.280]	0.64 [.025]	54.23 [2.135]	60.35 [2.376]	63.88 [2.515]	46.13 [1.816]	57.91 [2.280]	68	5787394-7
	S	46.48 [1.830]	1.27 [.050]	42.80 [1.685]	48.92 [1.926]	52.45 [2.065]	34.70 [1.366]	46.48 [1.830]	50	5787394-5
OBSOLETE	T	32.51 [1.280]	0.64 [.025]	28.83 [1.135]	34.95 [1.376]	38.48 [1.515]	20.73 [.816]	32.51 [1.280]	28	5787394-3
	S	31.24 [1.230]	1.27 [.050]	27.56 [1.085]	33.68 [1.326]	37.21 [1.465]	19.46 [.766]	31.24 [1.230]	26	5787394-2
PC BOARD PATTERN	L	G	F	E	D	B	A	NO OF POSN		PART NUMBER

THIS DRAWING IS A CONTROLLED DOCUMENT. TOLERANCES UNLESS OTHERWISE SPECIFIED:

DIMENSIONS: mm [INCHES]	0 PLC ± .01	1 PLC ± .015	2 PLC ± .02	3 PLC ± .03	4 PLC ± .05	ANGLES ± .5°
-------------------------	-------------	--------------	-------------	-------------	-------------	--------------

MATERIAL: △ FINISH: △

DIN J. REITZEL 20DEC2004	DRN S. SHUEY 20DEC2004	APVD M. WALMSLEY 20DEC2004	NAME
RECEPTACLE ASSEMBLY, SHIELDED, TM			108-1228
APPLICATION SPEC			114-40029
WEIGHT	SIZE	CAGE CODE	DRAWING NO
	A1	00779	5787394
CUSTOMER DRAWING		SCALE	SHEET
		4:1	1 of 1

RESTRICTED TO REV D2