

Distributed by:

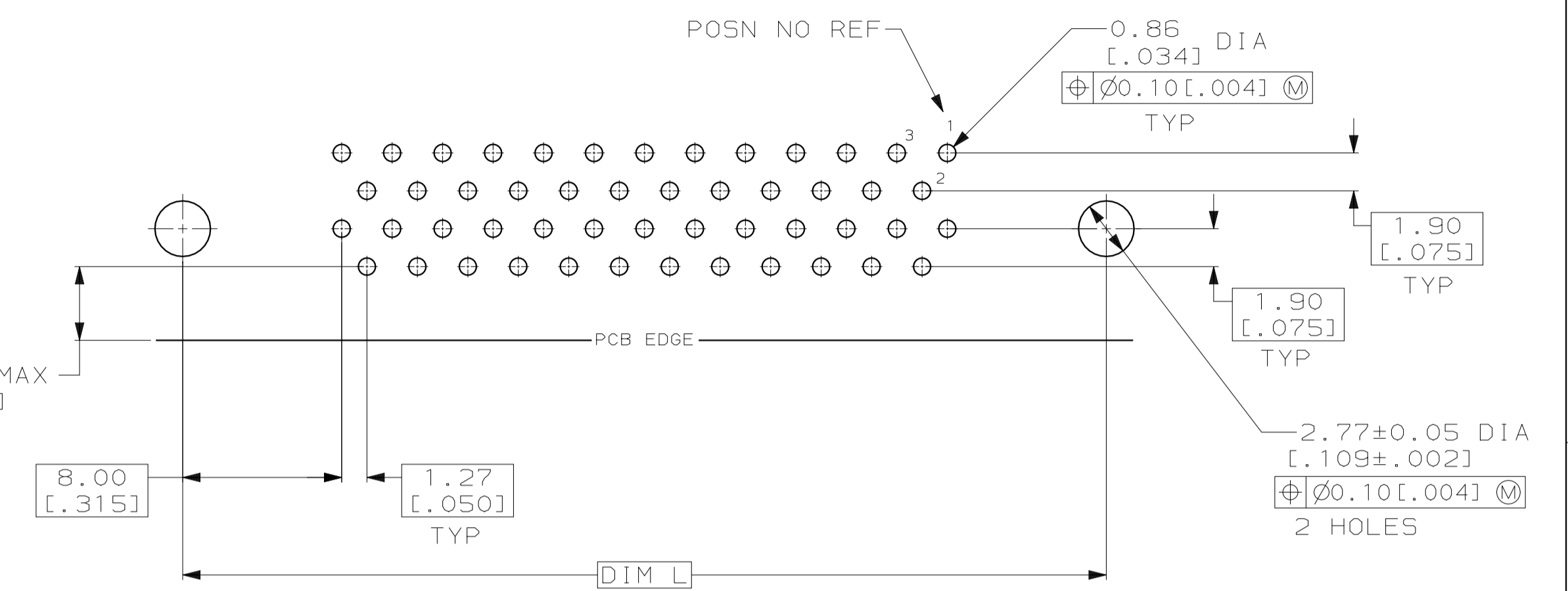
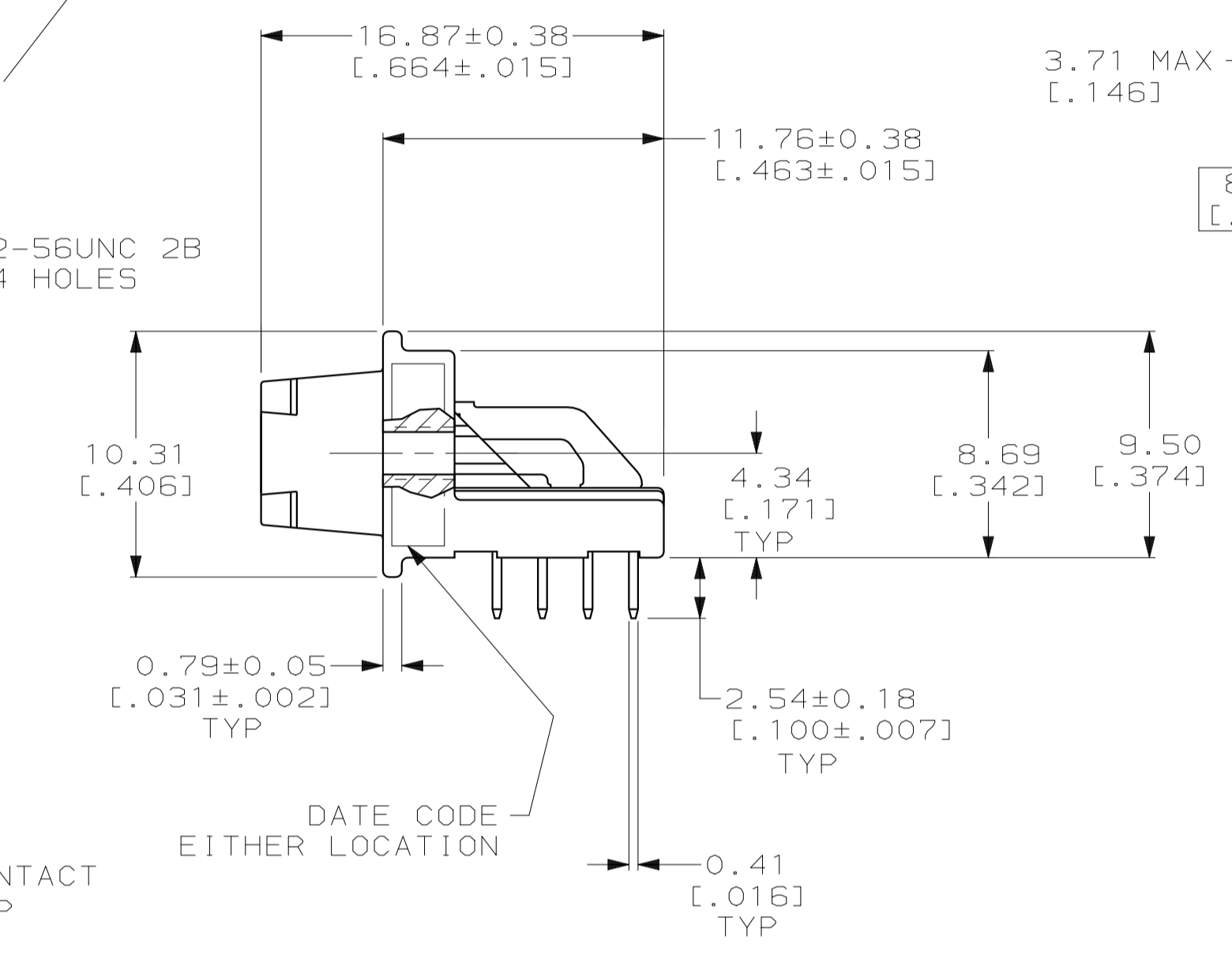
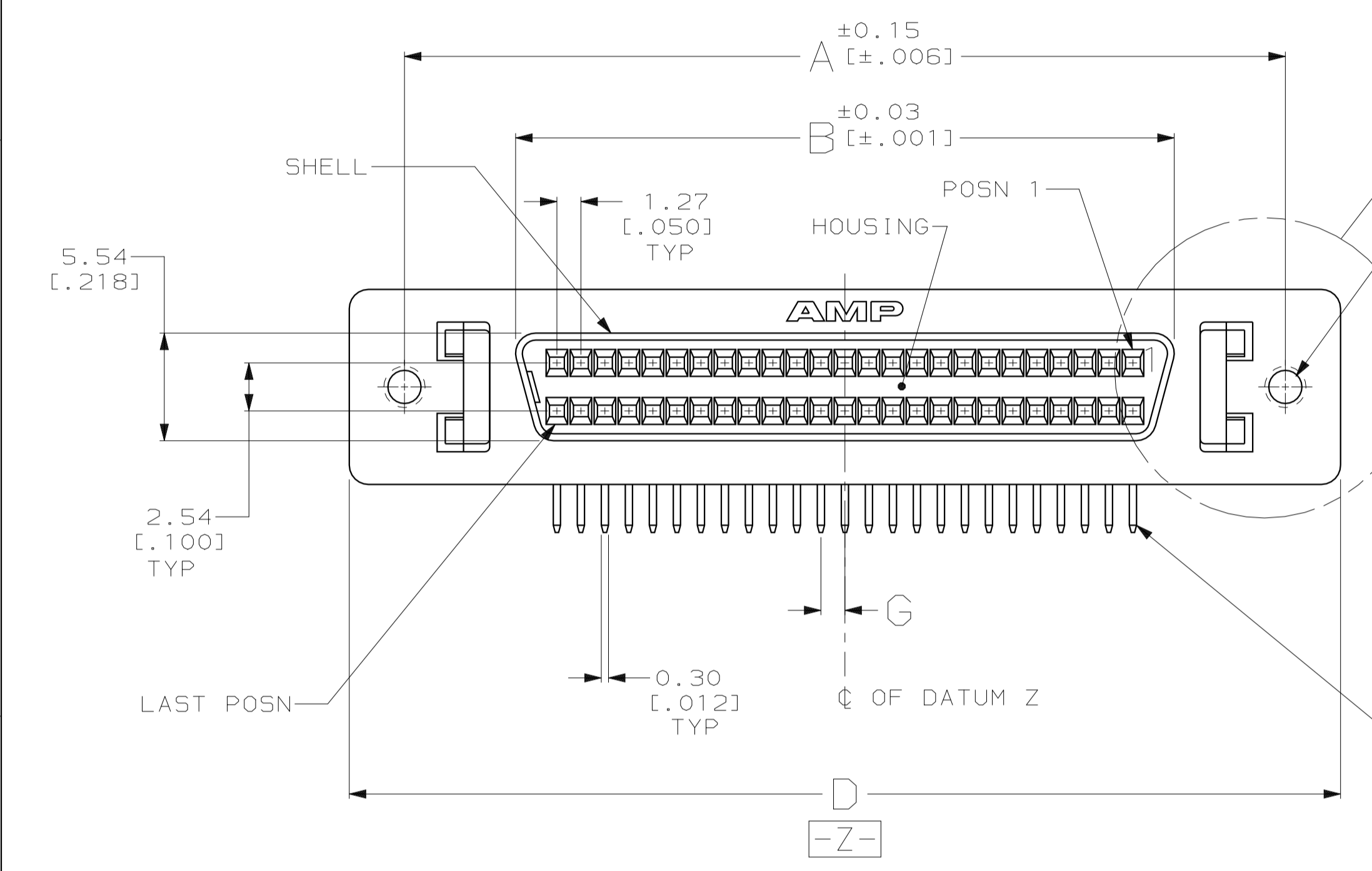
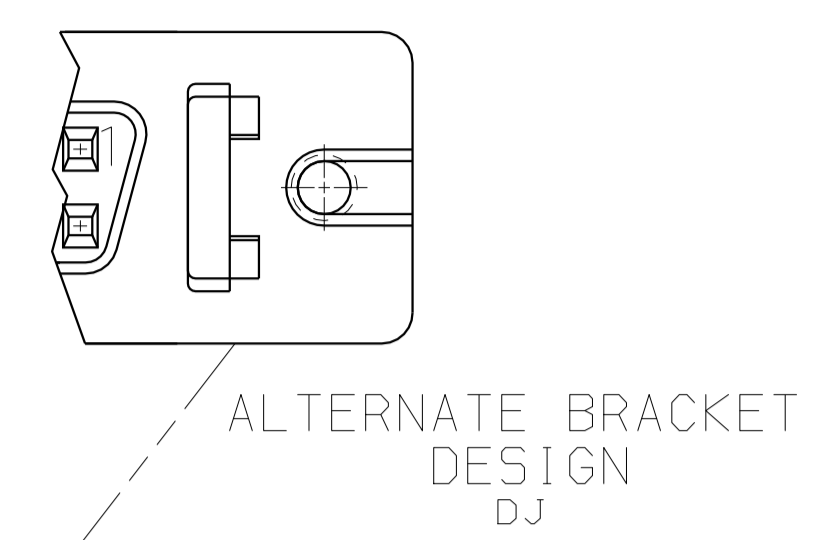
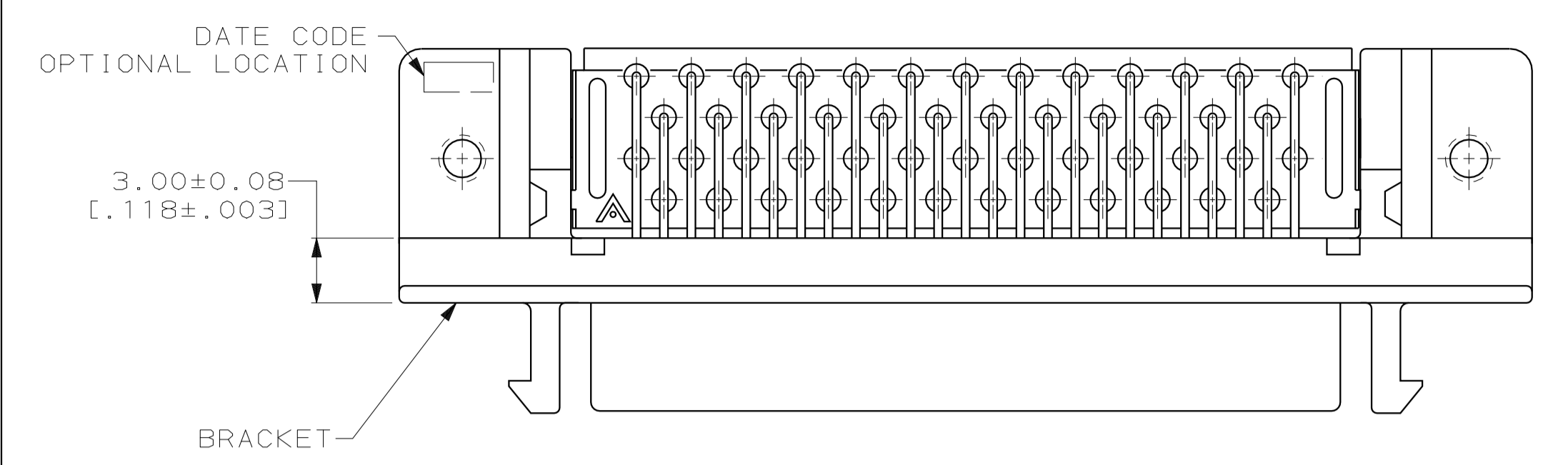
**JAMECO**<sup>®</sup>  
ELECTRONICS

**www.Jameco.com ♦ 1-800-831-4242**

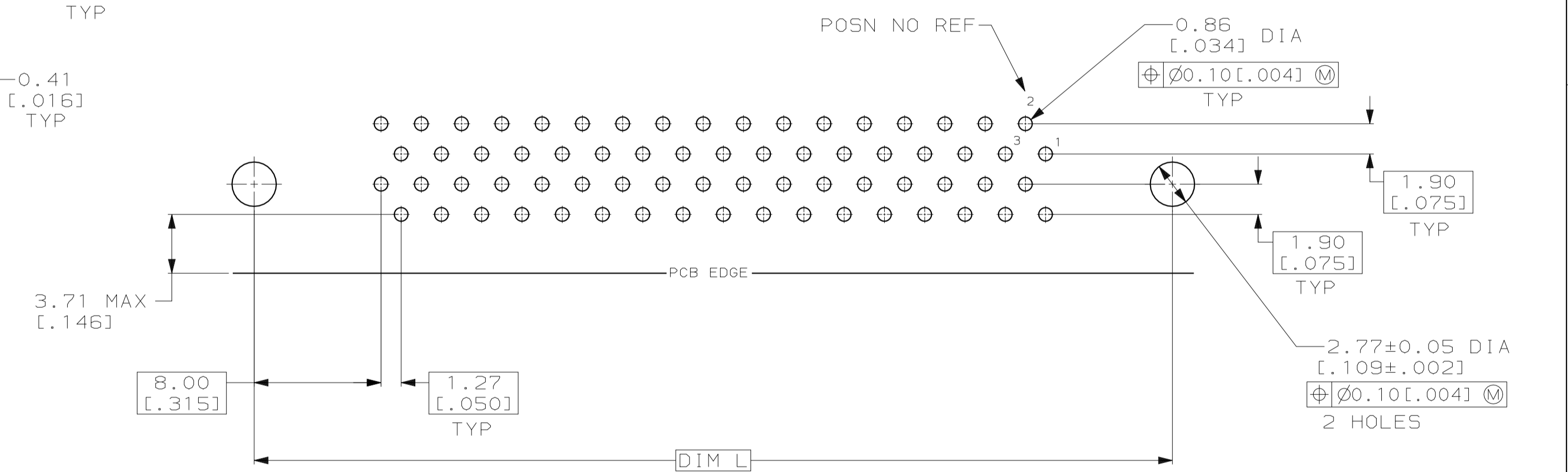
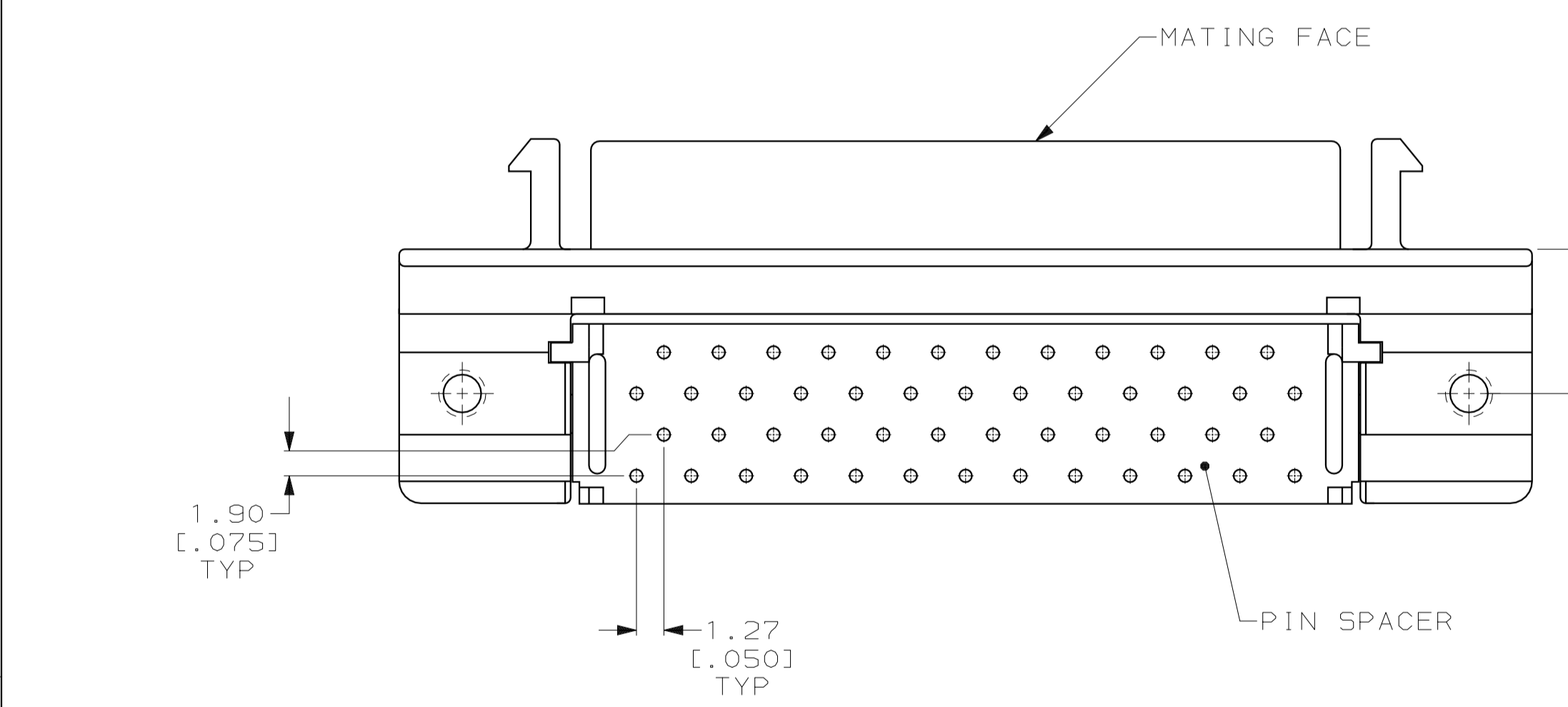
The content and copyrights of the attached  
material are the property of its owner.

Jameco Part Number 755454

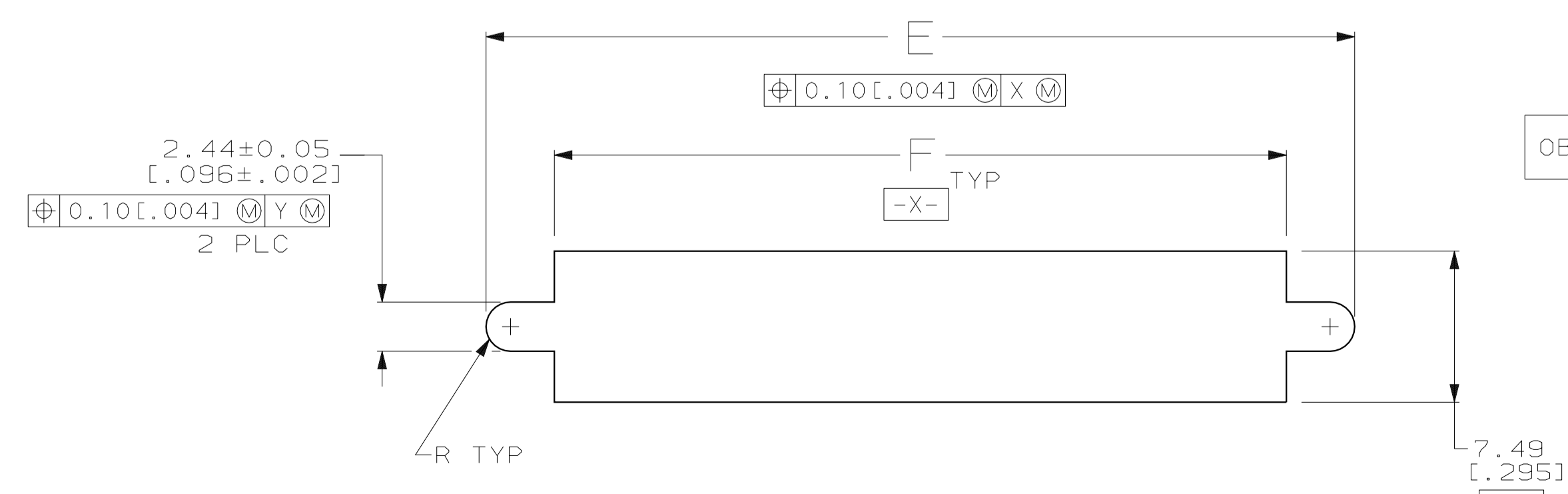
- ① 0.76µm [.000030] MIN GOLD FOR A LENGTH OF 0.64 [.025] MAX, 0.13 [.005] MIN FROM MATING END, 3.81µm [.000150] MIN TIN ON OPPOSITE END FOR A LENGTH OF 2.72 [.107] MIN, BOTH OVER 1.27µm [.000050] MIN NICKEL.
- ② MATERIAL: CONTACTS: PHOSPHOR BRONZE; HOUSING & PIN SPACER: UL 94V-0 RATED, THERMOPLASTIC, BLACK; BRACKET: ZINC; SHELL: CARBON STEEL;
- ③ 5.08µm [.000200] MIN NICKEL OVER 1.27µm [.000050] MIN COPPER.
- ④ 2.54µm [.000100] MIN NICKEL OVER 5.08µm [.000200] COPPER.



P.C. BOARD MOUNTING DIMENSIONS  
CONNECTOR SIDE  
P.C. BOARD THICKNESS 1.57±0.20 [.062±.008]  
PC BOARD PATTERN S



P.C. BOARD MOUNTING DIMENSIONS  
CONNECTOR SIDE  
P.C. BOARD THICKNESS 1.57±0.20 [.062±.008]  
PC BOARD PATTERN T



RECOMMENDED PANEL CUTOUT

	T	78.23 [3.080]	0.64 [.025]	74.55 [2.935]	80.67 [3.176]	84.20 [3.315]	66.45 [2.616]	78.23 [3.080]	80	5787394-9
	T	65.53 [2.580]	0.64 [.025]	61.85 [2.435]	67.97 [2.676]	71.50 [2.815]	53.75 [2.116]	65.53 [2.580]	80	5787394-8
	T	57.91 [2.280]	0.64 [.025]	54.23 [2.135]	60.35 [2.376]	63.88 [2.515]	46.13 [1.816]	57.91 [2.280]	68	5787394-7
	S	46.48 [1.830]	1.27 [.050]	42.80 [1.685]	48.92 [1.926]	52.45 [2.065]	34.70 [1.366]	46.48 [1.830]	50	5787394-5
OBsolete	T	32.51 [1.280]	0.64 [.025]	28.83 [1.135]	34.95 [1.376]	38.48 [1.515]	20.73 [.816]	32.51 [1.280]	28	5787394-3
	S	31.24 [1.230]	1.27 [.050]	27.56 [1.085]	33.68 [1.326]	37.21 [1.465]	19.46 [.766]	31.24 [1.230]	26	5787394-2
PC BOARD PATTERN	L	G	F	E	D	B	A	NO OF POSN	PART NUMBER	

THIS DRAWING IS UNPUBLISHED. RELEASED FOR PUBLICATION .19 IT IS SUBJECT TO CHANGE AND THE CONTROLLING ENGINEERING ORGANIZATION SHALL BE ADVISED FOR THE LATEST REVISION.		DWN: J. REITZEL 2006C2004 CHK: S. SHUEY 2006C2004 DRW: M. WALMSLEY 2006C2004	AMP Incorporated Harrisburg, PA 17105-3608
DIMENSIONS: mm (inches)	TOLERANCES UNLESS OTHERWISE SPECIFIED:	PRODUCT SPEC 108-1228 APPLICATION SPEC 114-40029	RECEPTACLE ASSEMBLY, SHIELDED, RIGHT ANGLE, .050 SERIES AMPLIMITE™
MATERIAL:	CONTACTS: ① SHELL: ② BRACKET: ③	WEIGHT: - SCALE: 4:1	DRAWING NO: A1 00779 SHEET 1 OF 1