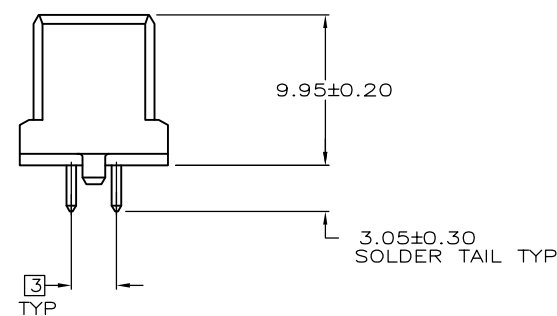
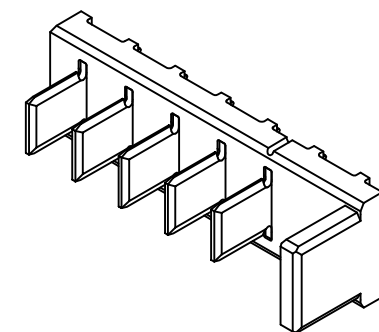
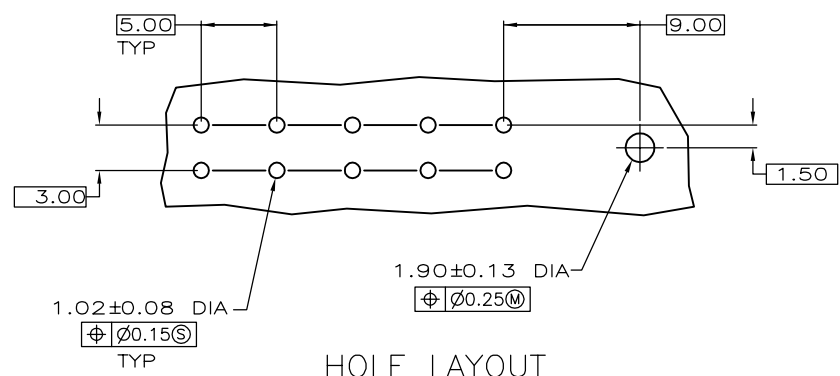
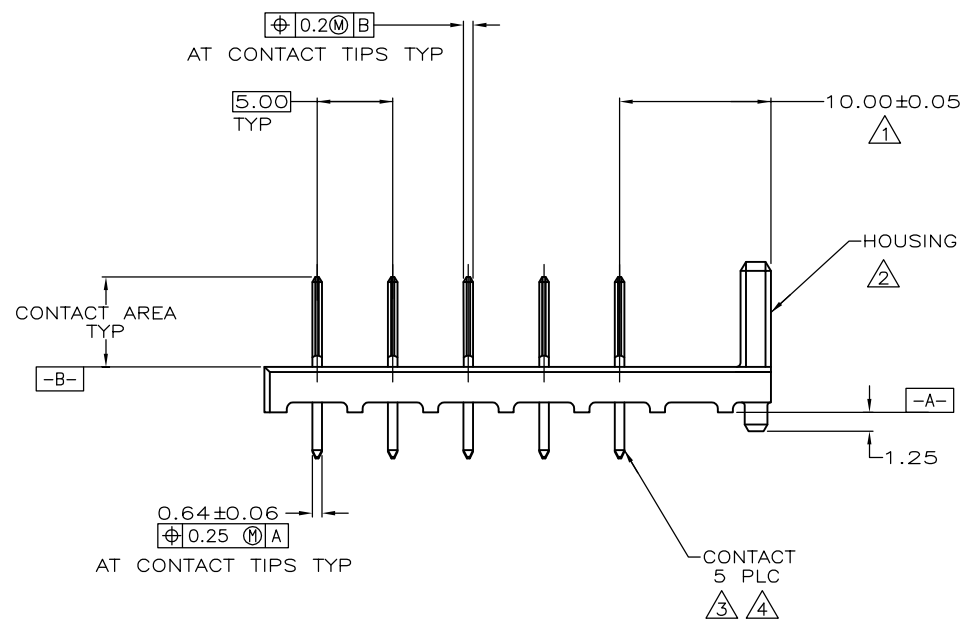
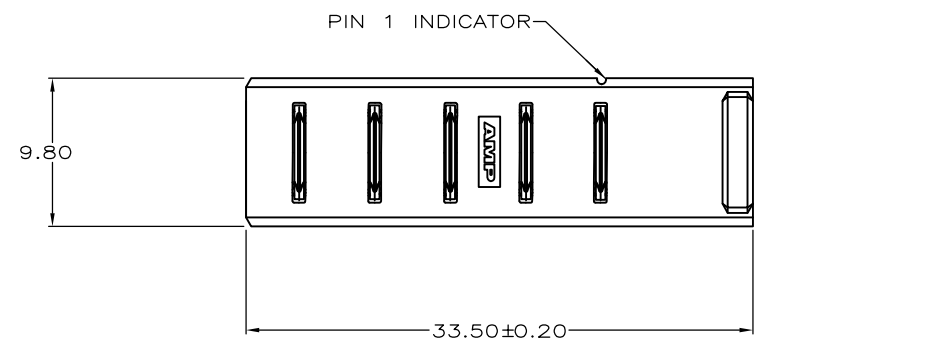


LOC ES DIST 00

REVISIONS

P	LTR	DESCRIPTION	DATE	DWN	APVD
	A	REVISED PER ECR-08-013882	03JUN2008	A.S	S.Y



- ① COORDINATE DIMENSION APPLIES FROM CENTER OF ACTUAL FEATURE.
- ② HOUSING: POLYPHTHALAMIDE, COLOR BLACK.
- ③ FINISH:
2.54um MIN TIN ON SOLDER TAIL OVER
1.90um MIN NICKEL ALL OVER.
- ④ CONTACTS: BRASS

5787419-1
PART NO

THIS DRAWING IS A CONTROLLED DOCUMENT.		DWN S.KLINE 03/16/95	Tyco Electronics Corporation	
DIMENSIONS: mm		CHK S.KLINE 03-17-95	Shanghai PRC	
TOLERANCES UNLESS OTHERWISE SPECIFIED:		APVD S.KLINE 03-17-95	NAME	
0 PLC ± -		PRODUCT SPEC	108-1501	
1 PLC ± -		APPLICATION SPEC	114-24005	
2 PLC ± 0.13		WEIGHT	-	
3 PLC ± -		CUSTOMER DRAWING	SCALE 2:1	SHEET 1 OF 1
4 PLC ± -		FINISH ③	DRAWING NO	RESTRICTED TO
MATERIAL ② ④		FINISH ③	A3 00779 C-5787419	-
			REV	A