

5787446-1 Product Details

[Share](#) [Print](#) [Email](#)



5787446-1

TE Internal Number: 5787446-1

Active

[View 3D PDF](#)

Battery Interconnection System

Always EU RoHS/ELV Compliant
(Statement of Compliance)

Product Highlights:

- Connector
- Header
- Contact Type = Blade
- Type of Connector = Battery Interconnect
- 5 Positions

[View all Features](#)

Quick Links

- ▶ [Pricing & Availability](#)
- ▶ [Search for Tooling](#)
- ▶ [Product Feature Selector](#)
- ▶ [Contact Us About This Product](#)

[Add to My Part List](#) [Request Sample](#) [Find Similar Products](#)

[Buy Product](#)

Documentation & Additional Information

Product Drawings:

- [HEADER ASSEMBLY, VERTICAL, KEYLESS, 5mm C, 5 POSN, R...](#) (PDF, English)

Catalog Pages/Data Sheets:

- [POWER CONNECTORS_CATALOG_SEC09_LAPTOPS_PORTABLES](#) (PDF, English)
- [2_PIECE_POWER_CONNECTORS_qrg_4-1773458-1](#) (PDF, English)

Product Specifications:

- None Available

Application Specifications:

- None Available

Instruction Sheets:

- None Available

CAD Files: (CAD Format & Compression Information)

- [2D Drawing](#) (DXF, Version A)
- [3D Model](#) (IGES, Version A)
- [3D Model](#) (STEP, Version A)

[List all Documents](#)

Additional Information:

- [Product Line Information](#)

Related Products:

- [Tooling](#)

Product Features (Please use the Product Drawing for all design activity)

Product Type Features:

- [Product Type](#) = Connector
- [Connector Type](#) = Header
- [Type of Connector](#) = Battery Interconnect
- [Mount Angle](#) = Vertical
- [PCB Mount Retention](#) = With
- [Mounting Holes](#) = Without
- [PCB Mount Retention Type](#) = Boardlock(s)
- [PCB Mount Style](#) = Through Hole

Mechanical Attachment:

- [Mount](#) = Printed Circuit Board

Electrical Characteristics:

- [Voltage \(VAC\)](#) = 50

Housing Features:

- [Centerline \(mm \[in\]\)](#) = 5.00 [0.197]
- [Housing Material](#) = Liquid Crystal Polymer (LCP)
- [Housing Color](#) = Black

Configuration Features:

- [Number of Positions](#) = 5

Industry Standards:

- [RoHS/ELV Compliance](#) = RoHS compliant, ELV compliant
- [Lead Free Solder Processes](#) = Wave solder capable to 240°C, Wave solder capable to 260°C, Wave solder capable to 265°C
- [RoHS/ELV Compliance History](#) = Always was RoHS

Body Features:

- [Voltage Key](#) = Keyless

Contact Features:

- Contact Type = Blade
- Contact Base Material = Brass
- Contact Plating, Mating Area, Material = Tin

compliant

- UL Flammability Rating = UL 94V-0

Other:

- Brand = AMP

Corporate Information

[About TE](#)
[Investors](#)
[News Room](#)
[Supplier Portal](#)
[Careers](#)
[Terms & Conditions](#)
[Privacy Policy](#)
[AODA Accessibility Policy](#)
[AODA Multi-Year Accessibility Plan](#)

Quick Links

[Distributor Inventory](#)
[Product Cross Reference](#)
[Documents & Drawings](#)
[Product Compliance Support Center](#)
[Site Map](#)

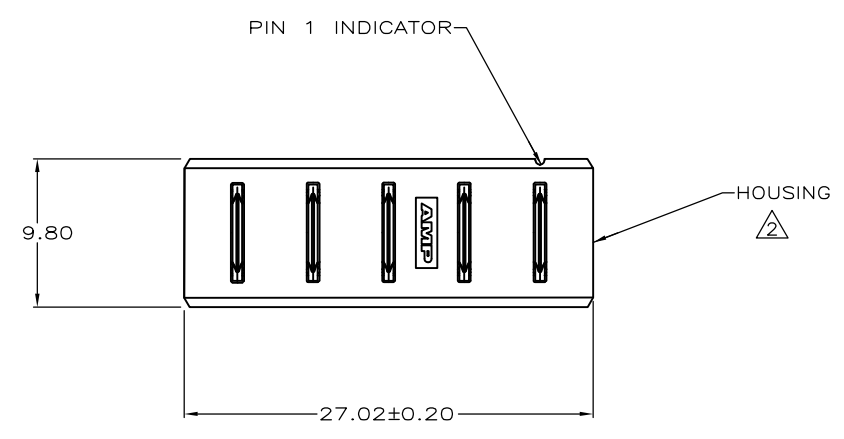
Customer Support

[Email or Chat With Us](#)
[Find a Phone Number](#)
[Knowledge Base](#)
[Manage Your Account](#)

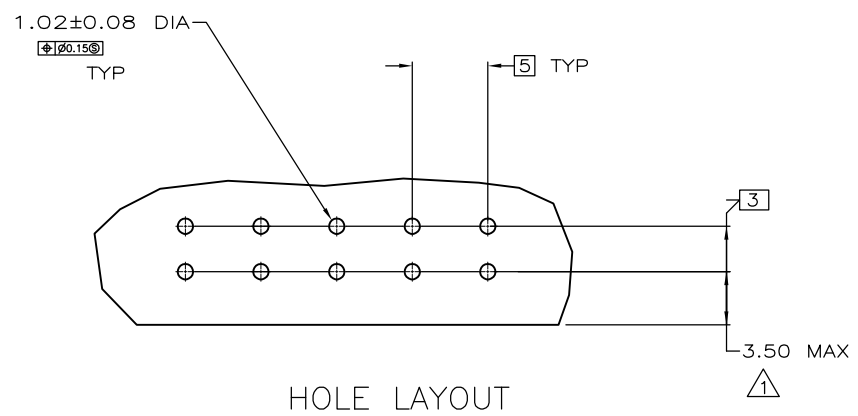
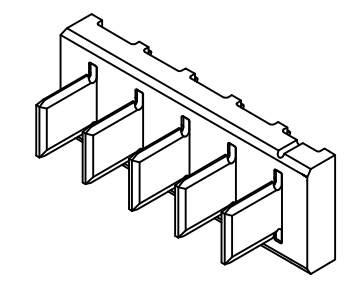
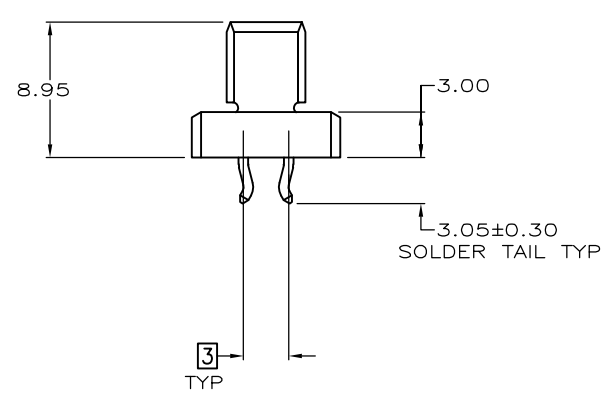
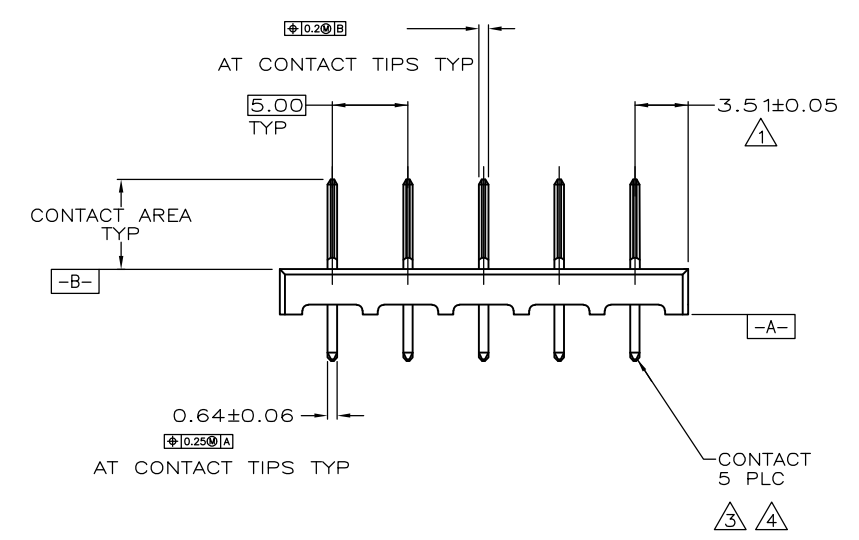
Keep Me Informed

THIS DRAWING IS UNPUBLISHED. RELEASED FOR PUBLICATION
 © COPYRIGHT - By - ALL RIGHTS RESERVED.

LOC	DIST	REVISIONS					
ES	00	P	LTR	DESCRIPTION	DATE	DWN	APVD
			A1	REVISED PER ECO-11-005033	28MAR11	RK	HMR



- ① COORDINATE DIMENSION APPLIES FROM CENTER OF ACTUAL FEATURE.
- ② HOUSING: POLYPHTHALAMIDE, COLOR BLACK.
- ③ 2.54um MIN TIN ON SOLDER TAIL OVER 1.90um MIN NICKEL ALL OVER.
- ④ CONTACTS: BRASS



5787446-1
PART NO

THIS DRAWING IS A CONTROLLED DOCUMENT.		DWN S.KLINE 03-29-95	TE Connectivity				
DIMENSIONS: mm		CHK S.KLINE 03-30-95					NAME
TOLERANCES UNLESS OTHERWISE SPECIFIED:		APVD S.KLINE 03-30-95	PRODUCT SPEC		RESTRICTED TO		
0 PLC ± -		108-1501		SIZE		CAGE CODE	DRAWING NO
1 PLC ± -		APPLICATION SPEC		A3		00779	C-5787446
2 PLC ± 0.13		114-24005		WEIGHT		-	
3 PLC ± -		CUSTOMER DRAWING		SCALE		2:1	
4 PLC ± -		MATERIAL		SHEET		1 OF 1	
ANGLES ± -		FINISH		REV		A1	
② ④		③					