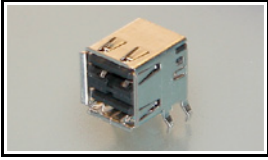


5787745-1 Product Details

[Share](#) [Print](#) [Email](#)



5787745-1

TE Internal Number: 5787745-1

Active

[View 3D PDF](#)

Universal Serial Bus (USB) Connectors

Always EU RoHS/ELV Compliant
(Statement of Compliance)

Product Highlights:

- USB 2.0 Industry Standard
- Size = Standard
- A Series
- Receptacle
- Without Locking Feature

[View all Features](#)

Quick Links

- ▶ [Pricing & Availability](#)
- ▶ [Search for Tooling](#)
- ▶ [Product Feature Selector](#)
- ▶ [Contact Us About This Product](#)

[Add to My Part List](#)

[Request Sample](#)

[Find Similar Products](#)

[Buy Product](#)

Documentation & Additional Information

Product Drawings:

- [RECEPTACLE ASSEMBLY, RIGHT ANGLE, STACKED, THRU-HOLE...](#) (PDF, English)

Catalog Pages/Data Sheets:

- None Available

Product Specifications:

- [product specification for usb consortium plug & rece...](#) (PDF, English)

Application Specifications:

- [Universal Serial Bus \(USB\) Connectors](#) (PDF, English)

Instruction Sheets:

- None Available

CAD Files: (CAD Format & Compression Information)

- [2D Drawing](#) (DXF, Version A)
- [3D Model](#) (IGES, Version A)
- [3D Model](#) (STEP, Version A)

[List all Documents](#)

Related Products:

- [Tooling](#)

Product Features (Please use the Product Drawing for all design activity)

Product Type Features:

- Size = Standard
- Gender = Receptacle
- Orientation = Right Angle
- LED = Without
- PCB Mount Retention Type = Kinked Leg(s)

Mechanical Attachment:

- Mount Location = Top
- Panel Ground Type = Ground Finger

Termination Features:

- Contact Termination Type = Through Hole
- Termination Method = Solder

Dimensions:

- PCB Thickness, Recommended (mm [in]) = 1.57 [0.062]

Contact Features:

- [Contact Plating, Mating Area, Material](#) = Gold or Gold Flash over Palladium Nickel
- [Contact Plating, Mating Area, Thickness](#) (μm [μin]) = 0.76 [29.92]

Housing Features:

- [Housing Color](#) = Black

Configuration Features:

- Number of Ports = 2
- Panel Ground Location = Center
- Number of Positions = 4

Industry Standards:

- Industry Standard = USB 2.0
- [RoHS/ELV Compliance](#) = RoHS compliant, ELV compliant

- Tail Length (mm [in]) = 2.84 [0.112]

Body Features:

- Locking Feature = Without
- Panel Ground = With
- Shell Plating = Bright Tin
- Assembly Process Feature = Without Pick and Place Cover
- Locating Post(s) = Without

- Lead Free Solder Processes = Wave solder capable to 240°C
- RoHS/ELV Compliance History = Always was RoHS compliant
- USB-IF Test ID Number (TID) = 60000046

Conditions for Usage:

- Applies To = Printed Circuit Board

Packaging Features:

- Packaging Method = Tray

Other:

- Series = A
- Brand = AMP

Corporate Information

- [About TE](#)
- [Investors](#)
- [News Room](#)
- [Supplier Portal](#)
- [Careers](#)
- [Terms & Conditions](#)
- [Privacy Policy](#)

Quick Links

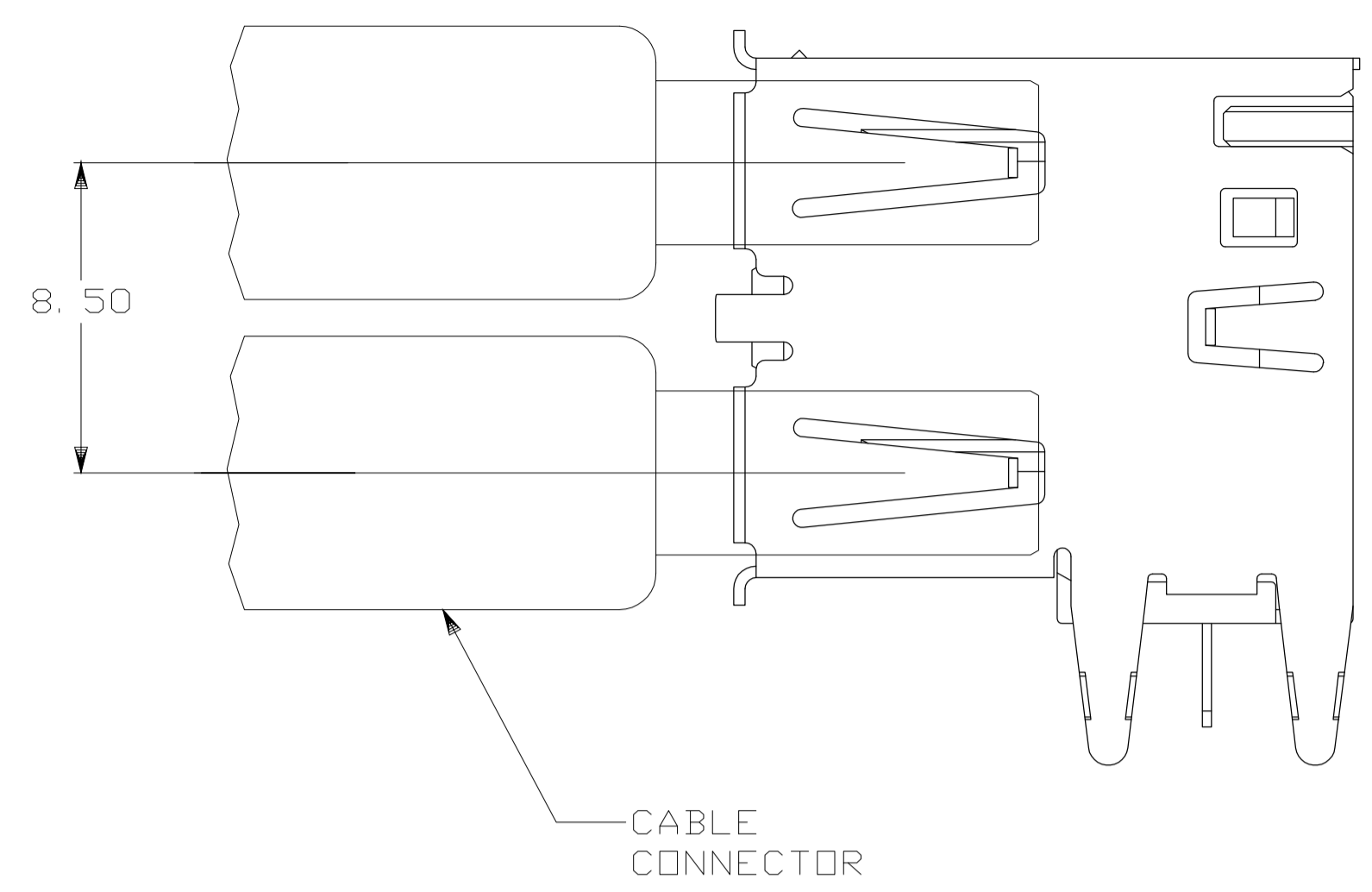
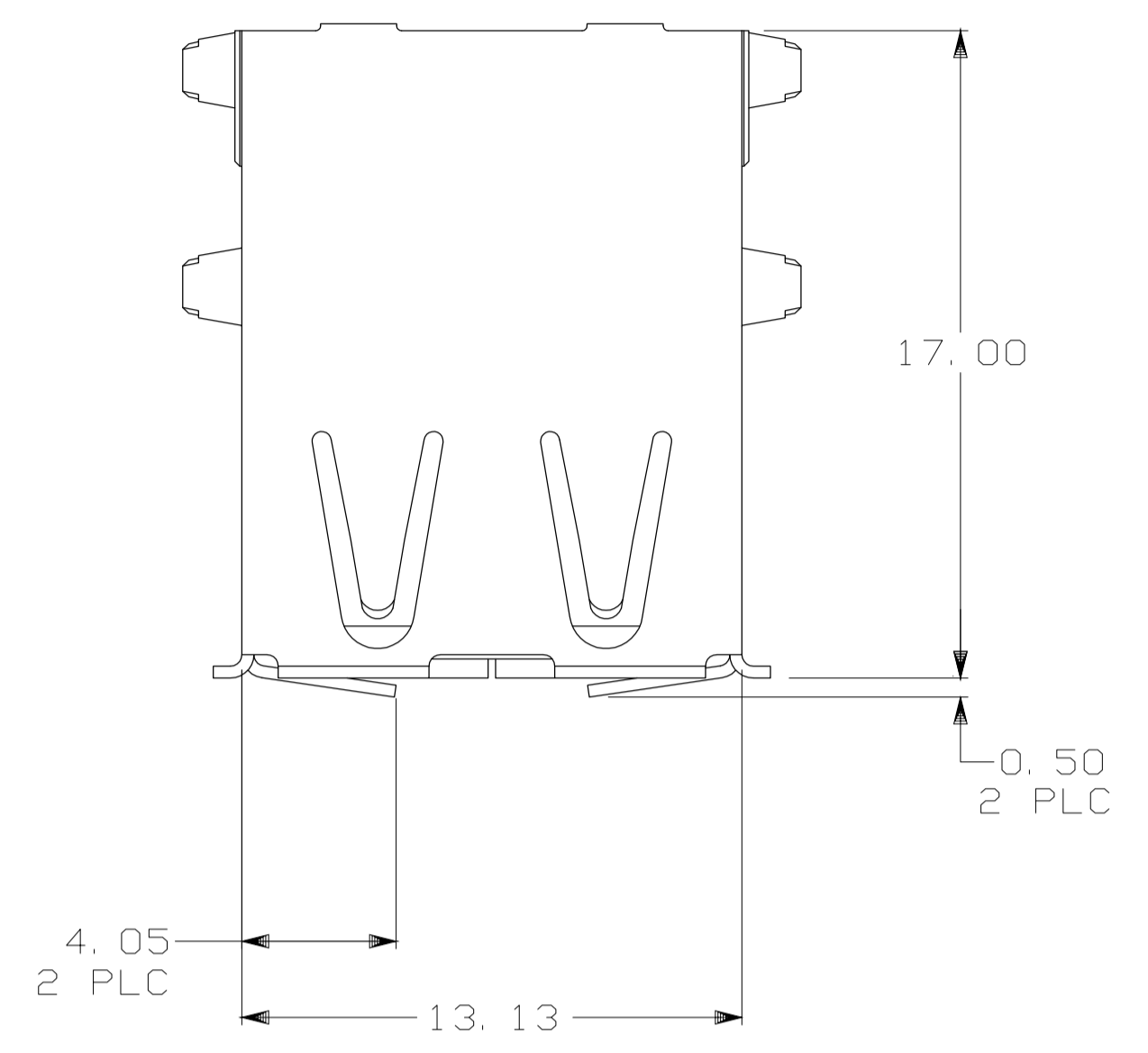
- [Distributor Inventory](#)
- [Product Cross Reference](#)
- [Documents & Drawings](#)
- [Product Compliance Support Center](#)
- [Site Map](#)

Customer Support

- [Email or Chat With Us](#)
- [Find a Phone Number](#)
- [Knowledge Base](#)
- [Manage Your Account](#)

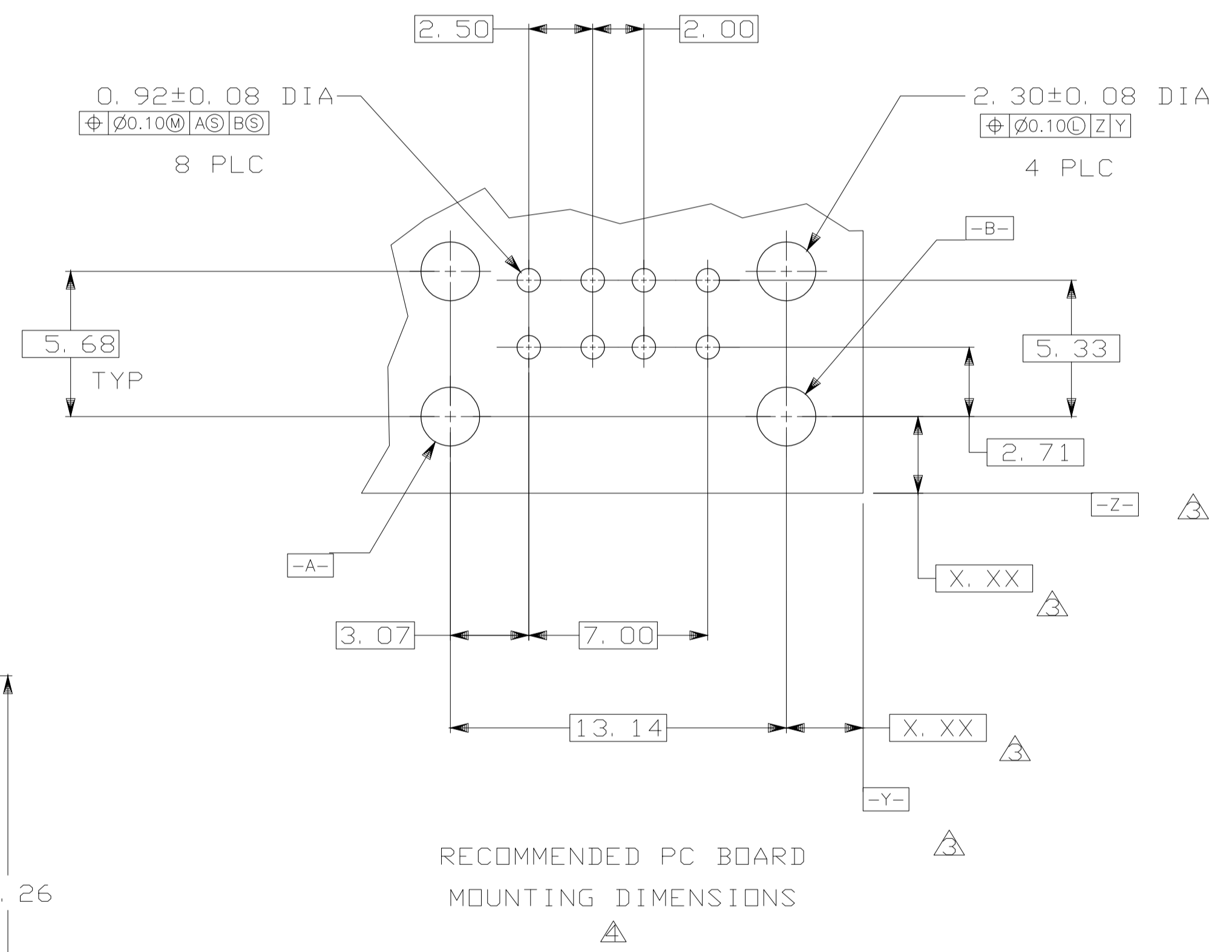
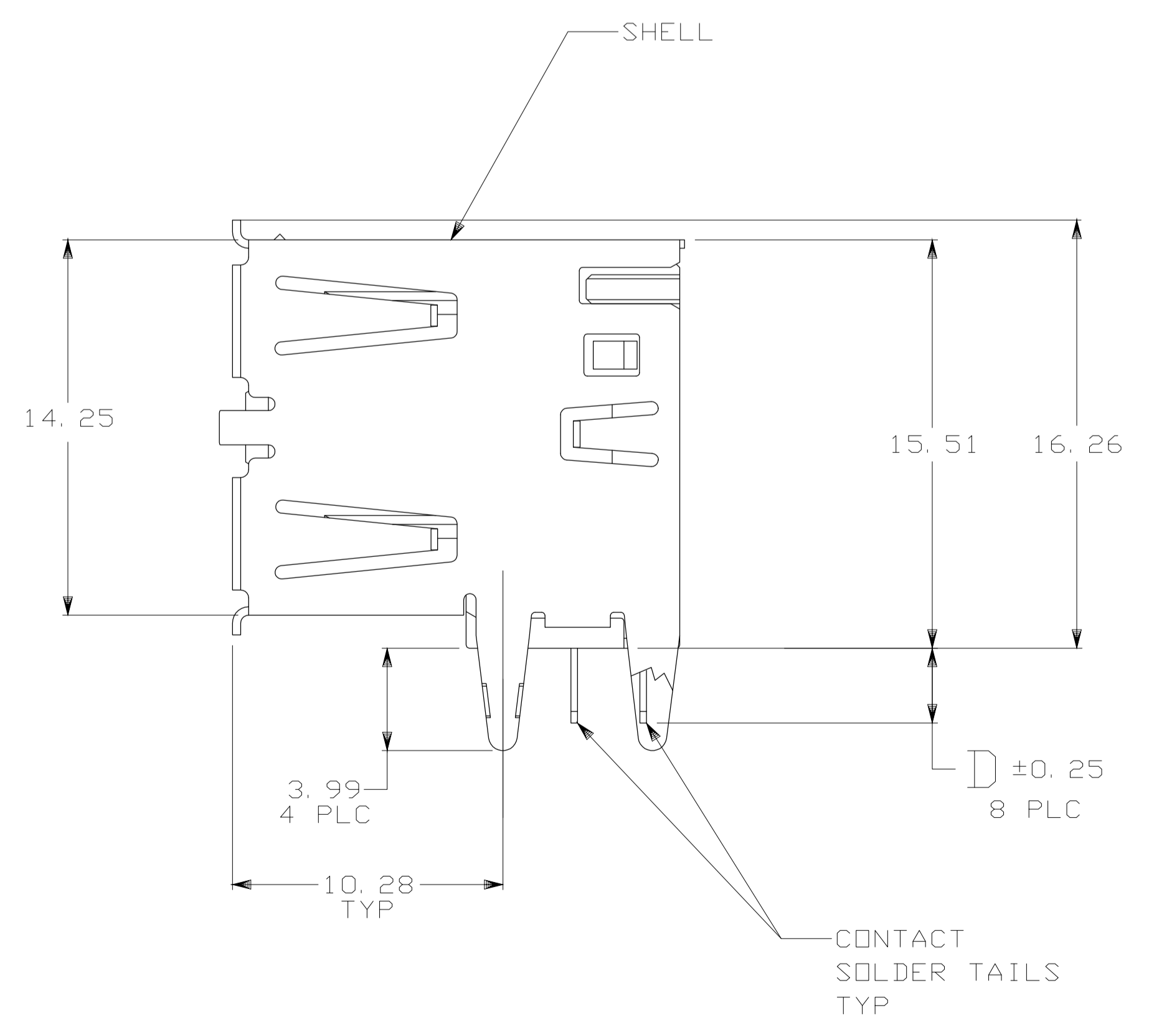
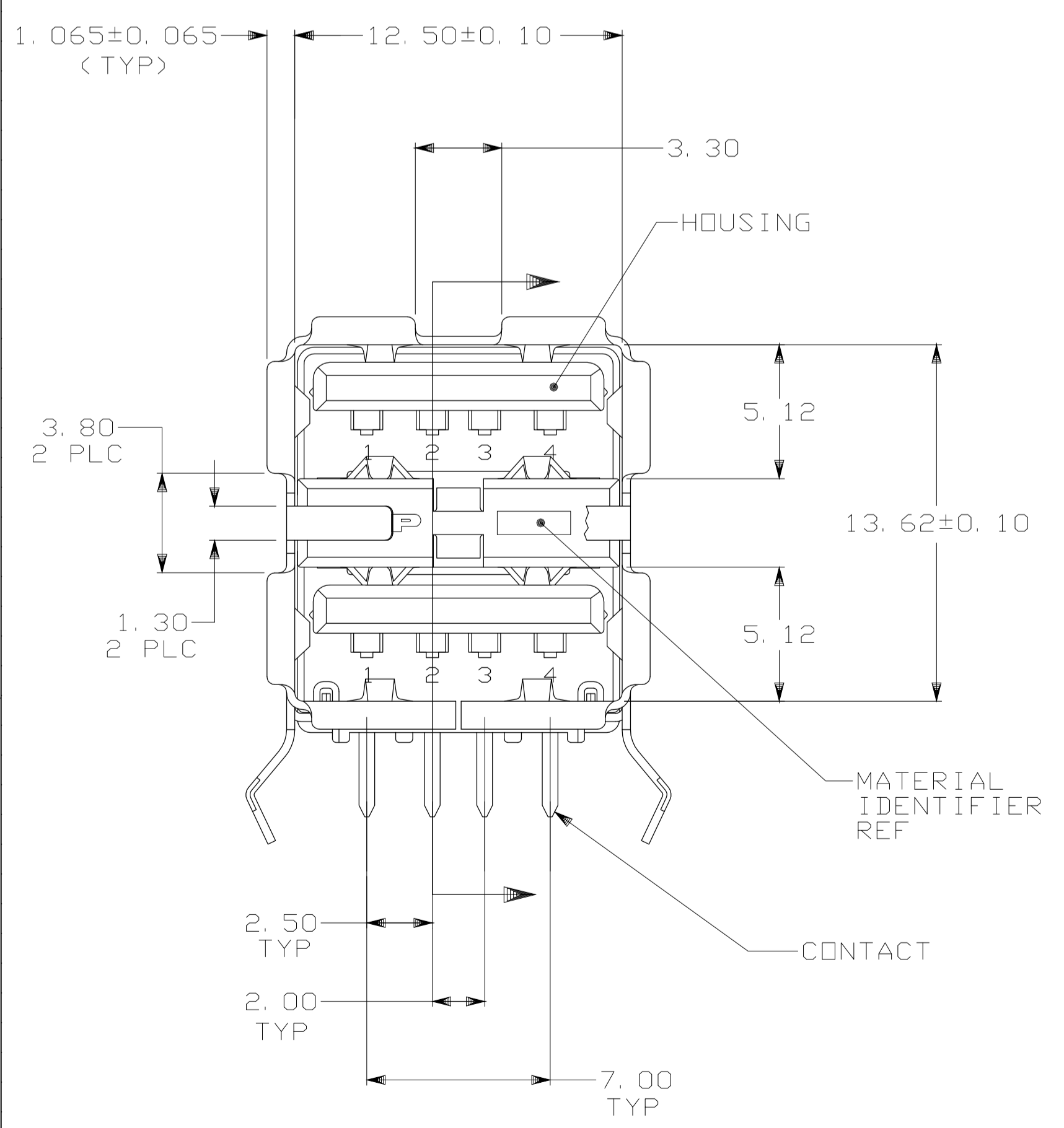
Keep Me Informed





- ⚠ MATERIAL:
SHELL & CONTACTS- COPPER ALLOY.
HOUSING- UL 94V-0 RATED, THERMOPLASTIC, SEE TABLE.
- ⚠ PLATING:
CONTACTS- 0.076 MICROMETERS MINIMUM GOLD OVER 0.76 MICROMETERS MINIMUM PALLADIUM-NICKEL ON MATING AREA. OR CONTACT ALTRENATE PLATING 0.76 MICROMETERS MINIMUM GOLD ON MATING AREA.
3.80 MICROMETERS MINIMUM TIN ON SOLDER TAILS.
BOTH OVER 1.27 MICROMETERS MINIMUM NICKEL.
SHELL: 2~5µm THICK TIN
- ⚠ DATUM AND BASIC DIMENSIONS ESTABLISHED BY CUSTOMER.
- ⚠ RECOMMENDED PC BOARD THICKNESS OF 1.57.

LEAD FREE



YES	2.29±0.25	BLACK	5787745-5
YES	2.84±0.25	BLACK	5787745-4
NO	2.84±0.25	NATURAL	5787745-3
NO	2.29±0.25	BLACK	5787745-2
NO	2.84±0.25	BLACK	5787745-1
HIGH TEMPERATURE COMPATIBLE	D	HOUSING COLOR	PART NUMBER

THIS DRAWING IS A CONTROLLED DOCUMENT.		DIN	LEO ZHOU	26OCT2004	TE Connectivity
DIMENSIONS: mm		CHK	STEVEN YAO	26OCT2004	
TOLERANCES UNLESS OTHERWISE SPECIFIED:		APVD	LENOMOTO	26OCT2004	NAME
0 PLC	± -	PRODUCT SPEC		RECEPTACLE ASSEMBLY, RIGHT ANGLE, STACKED, THRU-HOLE, USE	
1 PLC	± -	APPLICATION SPEC		SIZE	CAGE CODE
2 PLC	± -	MATERIAL		A1	00779
3 PLC	± -	FINISH		C=5787745	
4 PLC	± -	WEIGHT		CUSTOMER DRAWING	
ANGLES	± -	SCALE		1:1	SHEET 1 OF 1
		REV		A1	