

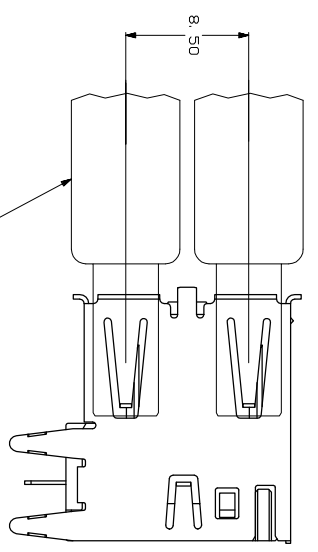
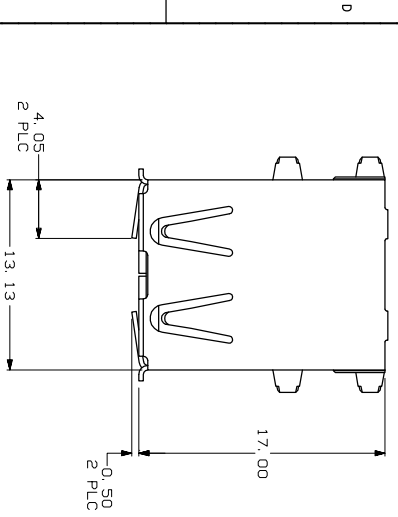
Distributed by:

JAMECO[®]
ELECTRONICS

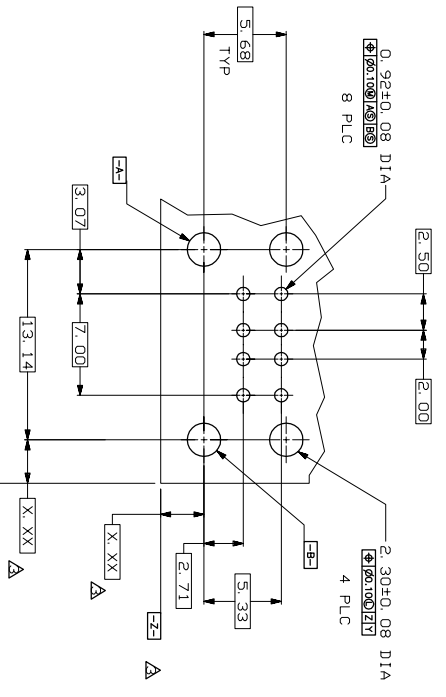
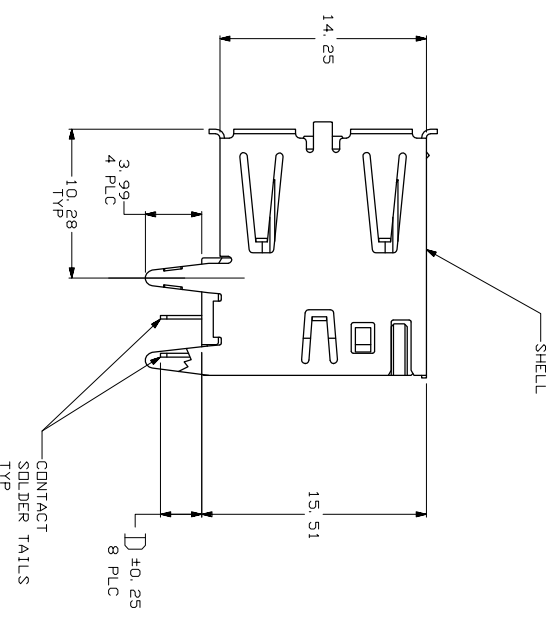
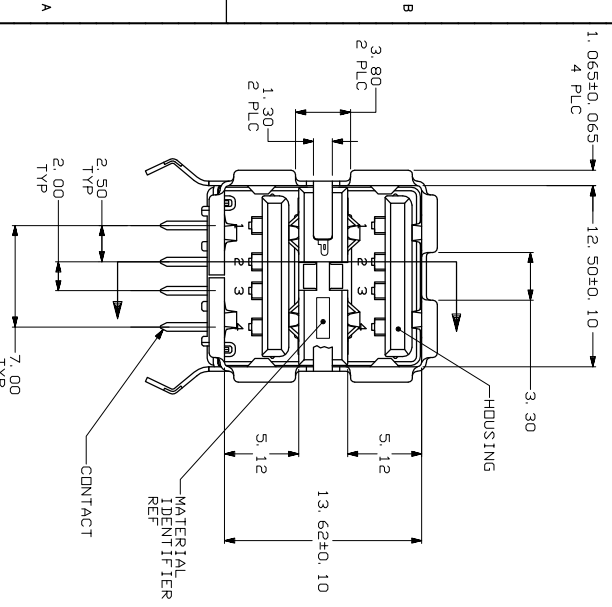
www.Jameco.com ♦ 1-800-831-4242

The content and copyrights of the attached
material are the property of its owner.

Jameco Part Number 1975299



LEAD FREE



RECOMMENDED PC BOARD MOUNTING DIMENSIONS

YES	2.29±0.25	BLACK	5787745-5
YES	2.84±0.25	BLACK	5787745-4
ND	2.84±0.25	NATURAL	5787745-3
ND	2.29±0.25	BLACK	5787745-2
ND	2.84±0.25	BLACK	5787745-1

HIGH TEMPERATURE COMPATIBLE

D	HOUSING COLOR	PART NUMBER
D <td>HOUSING COLOR</td> <td></td>	HOUSING COLOR	

- △ MATERIAL: SHELL & CONTACTS- COPPER ALLOY.
- △ HOUSING- UL 94V-0 RATED, THERMOPLASTIC. SEE TABLE.
- △ PLATING: CONTACTS- 0.076 MICROMETERS MINIMUM GOLD OVER 0.76 MICROMETERS MINIMUM PALLADIUM-NICKEL ON MATING AREA. OR CONTACT ALTERNATE PLATING 0.76 MICROMETERS MINIMUM GOLD ON MATING AREA. 3.80 MICROMETERS MINIMUM TIN ON SOLDER TAILS. BOTH OVER 1.27 MICROMETERS MINIMUM NICKEL.
- △ SHELL: 2-5µm THICK TIN.
- △ DATUM AND BASIC DIMENSIONS ESTABLISHED BY CUSTOMER.
- △ RECOMMENDED PC BOARD THICKNESS OF 1.57.

THIS DRAWING IS A CONTROLLED DOCUMENT

DATE	BY	CHKD	APP'D
01/07/99	AL	AL	AL

RECEIPT ASSURANCE: RIGHT ANGLE, STICKED, TINO-HOLD, USB

SIZE: 11x17 (mm)

SCALE: 1:1

CUSTOMER DRAWING