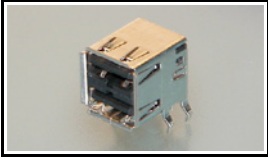


## 5787745-2 Product Details

[Share](#) [Print](#) [Email](#)



5787745-2

TE Internal Number: 5787745-2

Active

[View 3D PDF](#)

### Universal Serial Bus (USB) Connectors

Always EU RoHS/ELV Compliant  
(Statement of Compliance)

#### Product Highlights:

- USB 2.0 Industry Standard
- Size = Standard
- A Series
- Receptacle
- Without Locking Feature

[View all Features](#)

### Quick Links

- ▶ [Pricing & Availability](#)
- ▶ [Search for Tooling](#)
- ▶ [Product Feature Selector](#)
- ▶ [Contact Us About This Product](#)

[Add to My Part List](#)

[Request Sample](#)

[Find Similar Products](#)

[Buy Product](#)

### Documentation & Additional Information

#### Product Drawings:

- [RECEPTACLE ASSEMBLY, RIGHT ANGLE, STACKED, THRU-HOLE...](#) (PDF, English)

#### Catalog Pages/Data Sheets:

- None Available

#### Product Specifications:

- [product specification for usb consortium plug & rece...](#) (PDF, English)

#### Application Specifications:

- [Universal Serial Bus \(USB\) Connectors](#) (PDF, English)

#### Instruction Sheets:

- None Available

#### CAD Files: (CAD Format & Compression Information)

- [2D Drawing](#) (DXF, Version A)
- [3D Model](#) (IGES, Version A)
- [3D Model](#) (STEP, Version A)

[List all Documents](#)

#### Related Products:

- [Tooling](#)

### Product Features (Please use the Product Drawing for all design activity)

#### Product Type Features:

- Size = Standard
- Gender = Receptacle
- Orientation = Right Angle
- LED = Without
- PCB Mount Retention Type = Kinked Leg(s)

#### Mechanical Attachment:

- Mount Location = Top
- Panel Ground Type = Ground Finger

#### Termination Features:

- Contact Termination Type = Through Hole
- Termination Method = Solder

#### Dimensions:

- PCB Thickness, Recommended (mm [in]) = 1.57 [0.062]

#### Contact Features:

- [Contact Plating, Mating Area, Material](#) = Gold or Gold Flash over Palladium Nickel
- [Contact Plating, Mating Area, Thickness](#) ( $\mu\text{m}$  [ $\mu\text{in}$ ]) = 0.76 [29.92]

#### Housing Features:

- [Housing Color](#) = Black

#### Configuration Features:

- Number of Ports = 2
- Panel Ground Location = Center
- Number of Positions = 4

#### Industry Standards:

- Industry Standard = USB 2.0
- [RoHS/ELV Compliance](#) = RoHS compliant, ELV compliant

- Tail Length (mm [in]) = 2.29 [0.09]

**Body Features:**

- Locking Feature = Without
- Panel Ground = With
- Shell Plating = Bright Tin
- Assembly Process Feature = Without Pick and Place Cover
- Locating Post(s) = Without

- Lead Free Solder Processes = Wave solder capable to 240°C
- RoHS/ELV Compliance History = Always was RoHS compliant
- USB-IF Test ID Number (TID) = Not Submitted For Testing

**Conditions for Usage:**

- Applies To = Printed Circuit Board

**Packaging Features:**

- Packaging Method = Tray

**Other:**

- Series = A
- Brand = AMP

---

**Corporate Information**

- [About TE](#)
- [Investors](#)
- [News Room](#)
- [Supplier Portal](#)
- [Careers](#)
- [Terms & Conditions](#)
- [Privacy Policy](#)

**Quick Links**

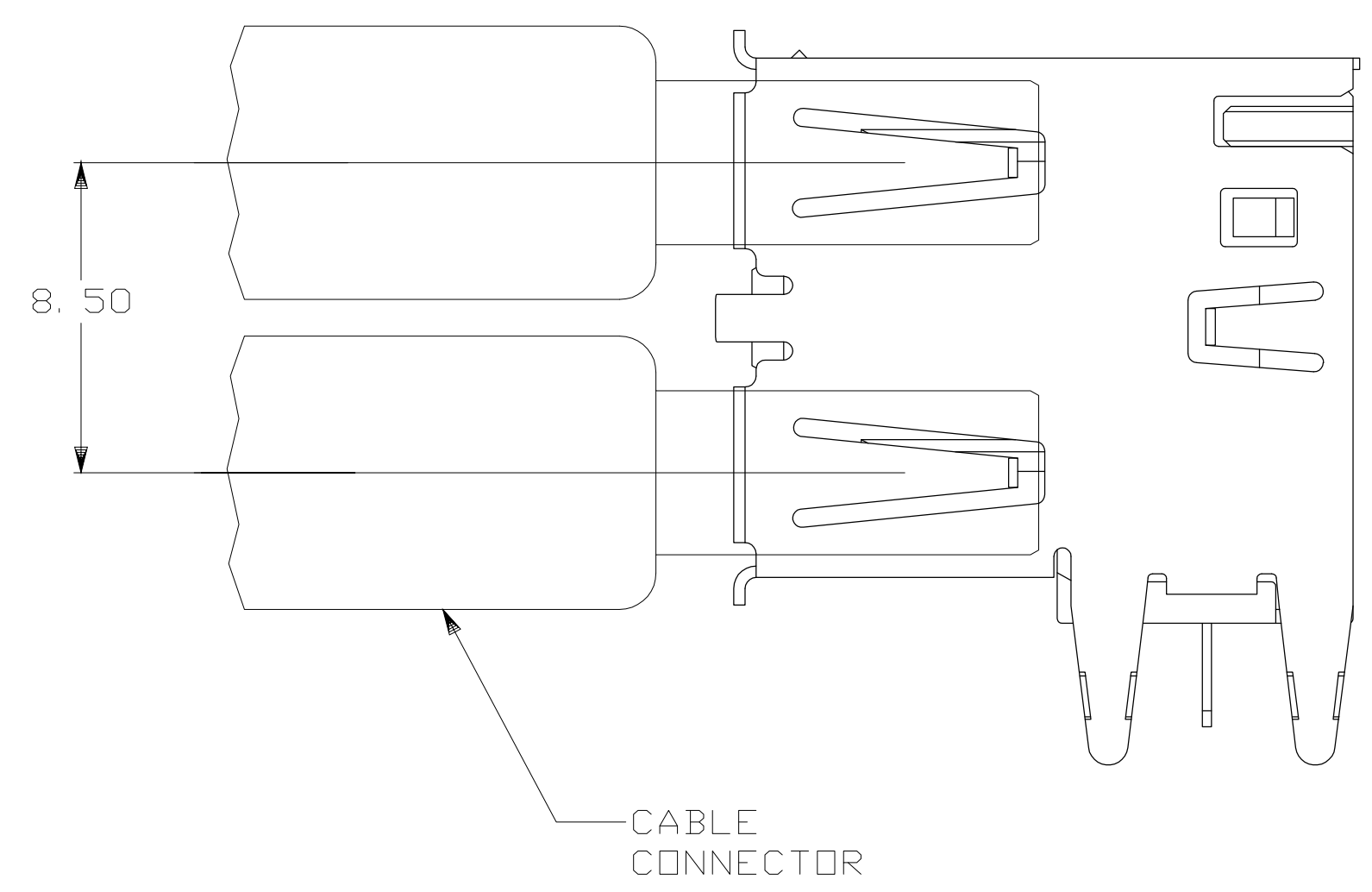
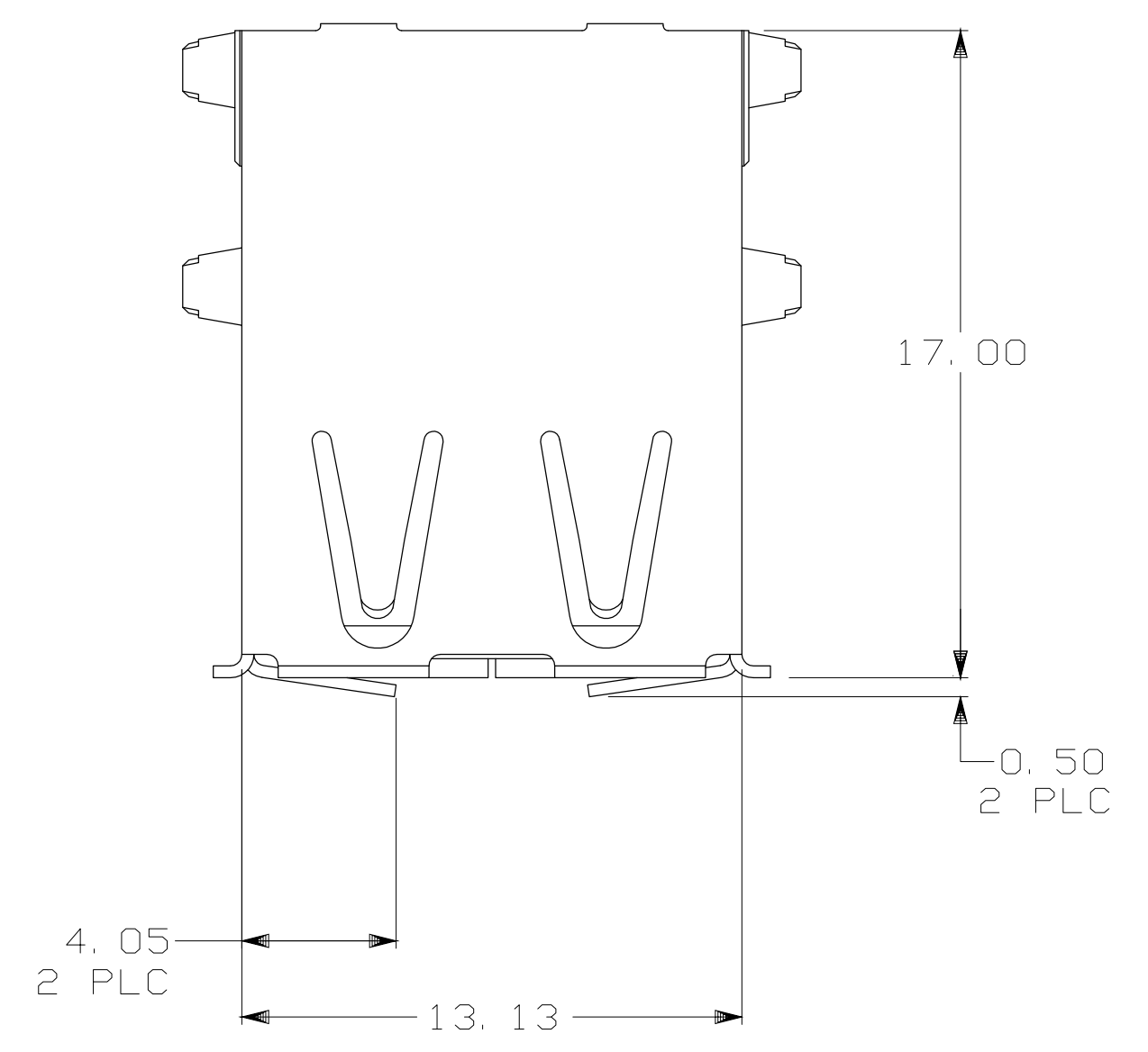
- [Distributor Inventory](#)
- [Product Cross Reference](#)
- [Documents & Drawings](#)
- [Product Compliance Support Center](#)
- [Site Map](#)

**Customer Support**

- [Email or Chat With Us](#)
- [Find a Phone Number](#)
- [Knowledge Base](#)
- [Manage Your Account](#)

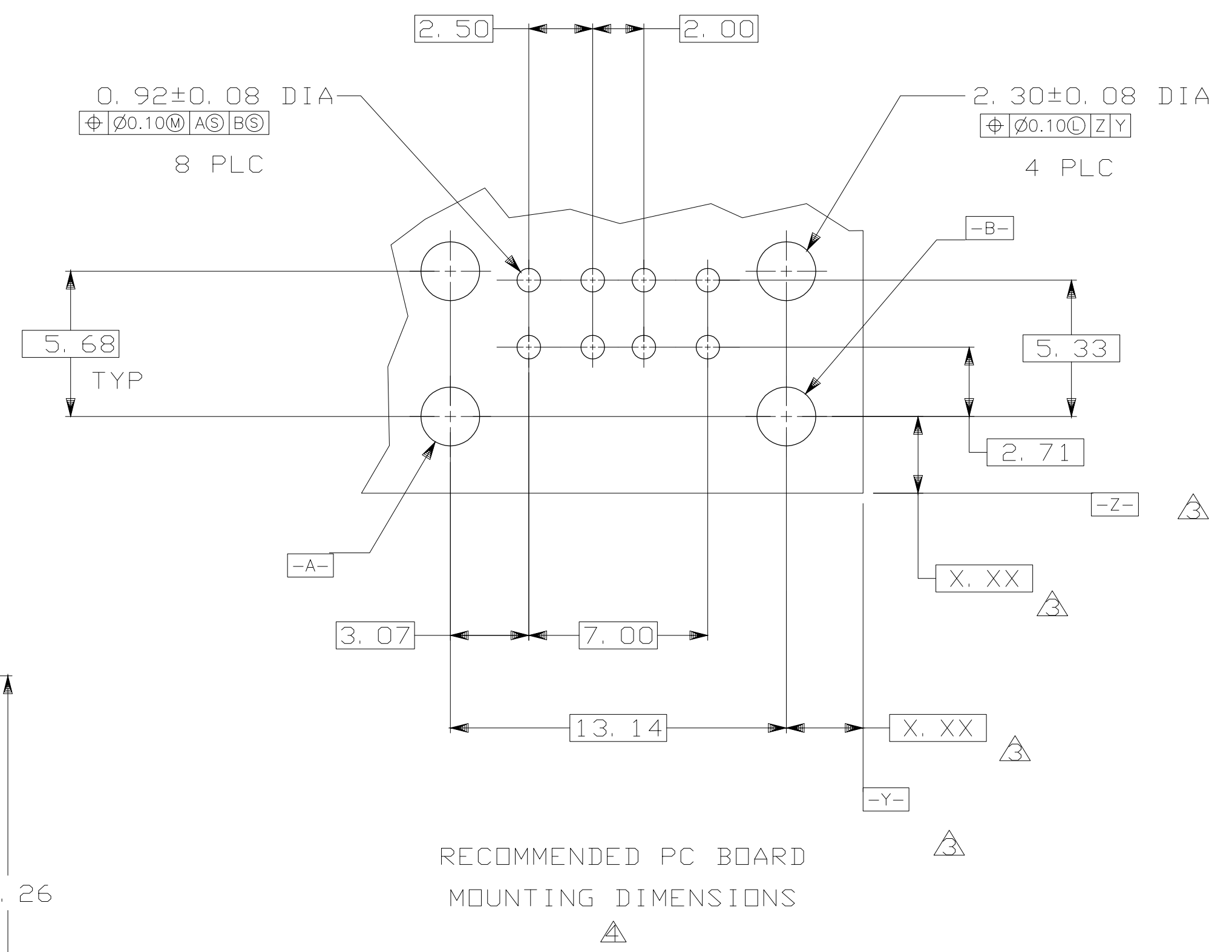
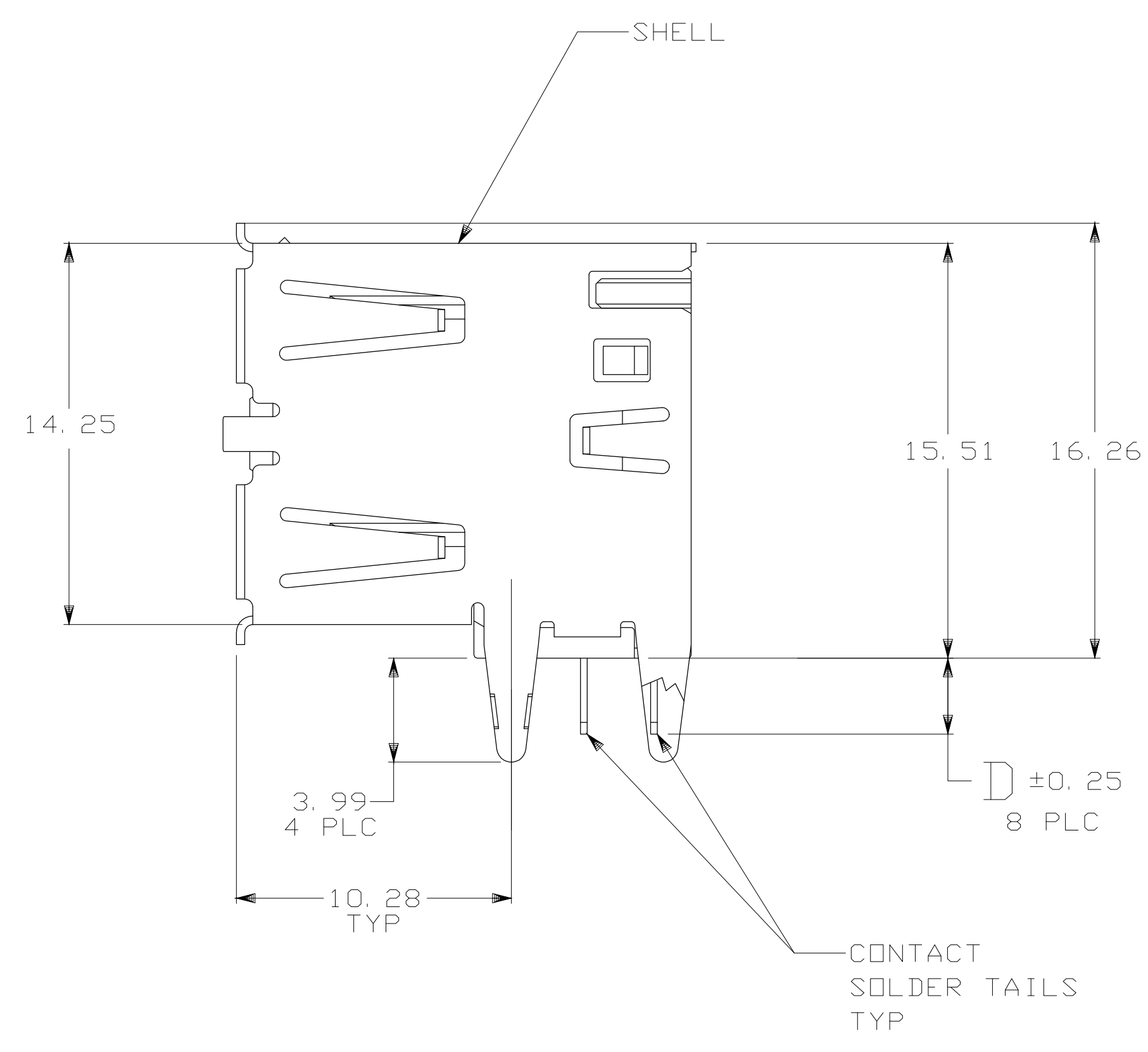
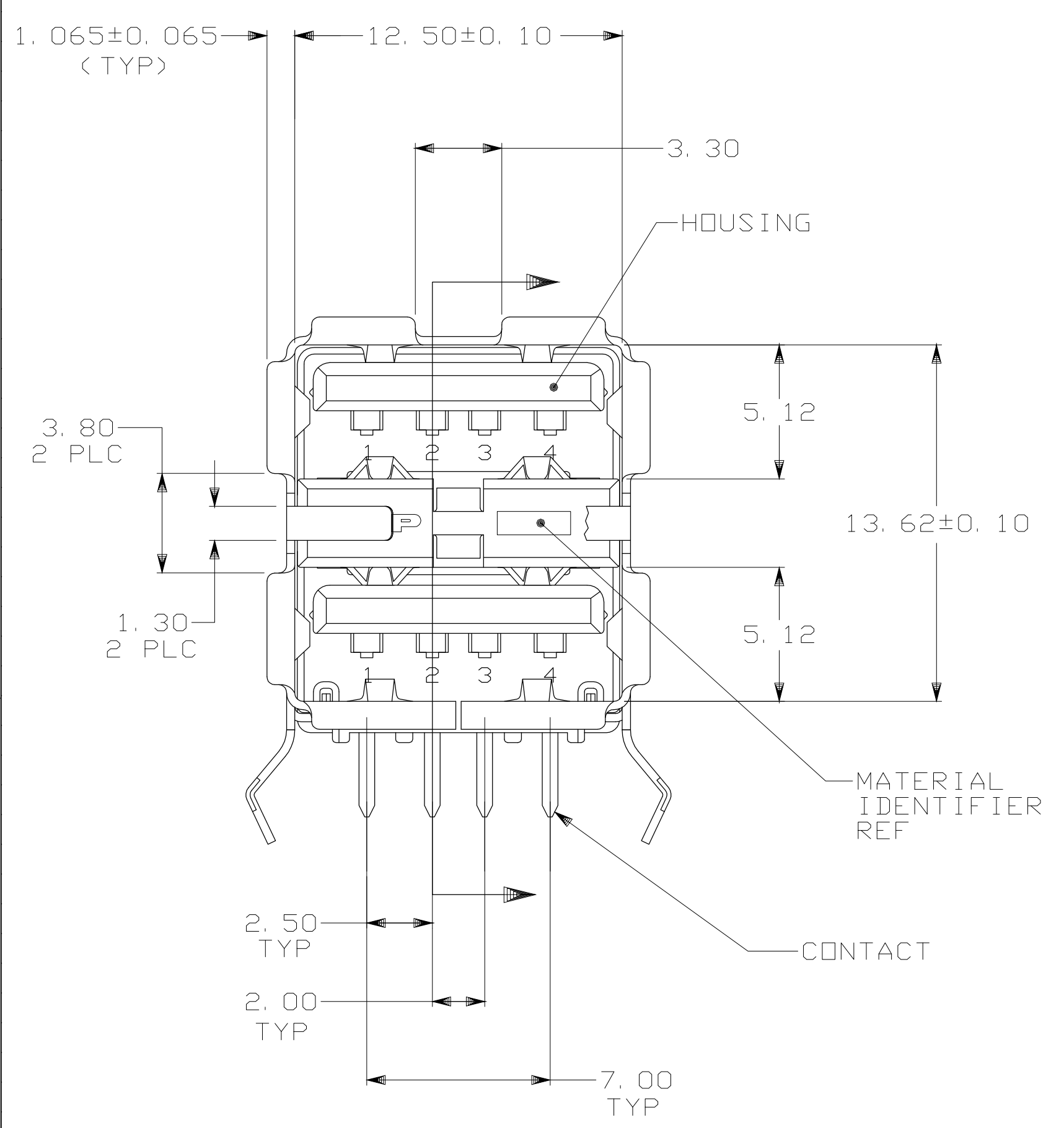
**Keep Me Informed**





- ⚠ MATERIAL:  
SHELL & CONTACTS- COPPER ALLOY.  
HOUSING- UL 94V-0 RATED, THERMOPLASTIC, SEE TABLE.
- ⚠ PLATING:  
CONTACTS- 0.076 MICROMETERS MINIMUM GOLD OVER 0.76 MICROMETERS MINIMUM PALLADIUM-NICKEL ON MATING AREA. OR CONTACT ALTRENATE PLATING 0.76 MICROMETERS MINIMUM GOLD ON MATING AREA.  
3.80 MICROMETERS MINIMUM TIN ON SOLDER TAILS.  
BOTH OVER 1.27 MICROMETERS MINIMUM NICKEL.  
SHELL: 2~5µm THICK TIN
- ⚠ DATUM AND BASIC DIMENSIONS ESTABLISHED BY CUSTOMER.
- ⚠ RECOMMENDED PC BOARD THICKNESS OF 1.57.

LEAD FREE



YES	2.29±0.25	BLACK	5787745-5
YES	2.84±0.25	BLACK	5787745-4
NO	2.84±0.25	NATURAL	5787745-3
NO	2.29±0.25	BLACK	5787745-2
NO	2.84±0.25	BLACK	5787745-1
HIGH TEMPERATURE COMPATIBLE	D	HOUSING COLOR	PART NUMBER

THIS DRAWING IS A CONTROLLED DOCUMENT.		DIN: LEO ZHOU 26OCT2004	 TE Connectivity
DIMENSIONS: mm		CHK: STEVEN YAO 26OCT2004	
TOLERANCES UNLESS OTHERWISE SPECIFIED:		APVD: ILENOMOTO 26OCT2004	NAME: RECEPTACLE ASSEMBLY, RIGHT ANGLE, STACKED, THRU-HOLE, USE
0 PLC ± -	1 PLC ± -	2 PLC ± -	APPLICATION SPEC
3 PLC ± -	4 PLC ± -	ANGLES ± -	SIZE: A1
MATERIAL: -	FINISH: -	WEIGHT: -	CAGE CODE: 00779
CUSTOMER DRAWING		SCALE: 1:1	SHEET: 1 OF 1