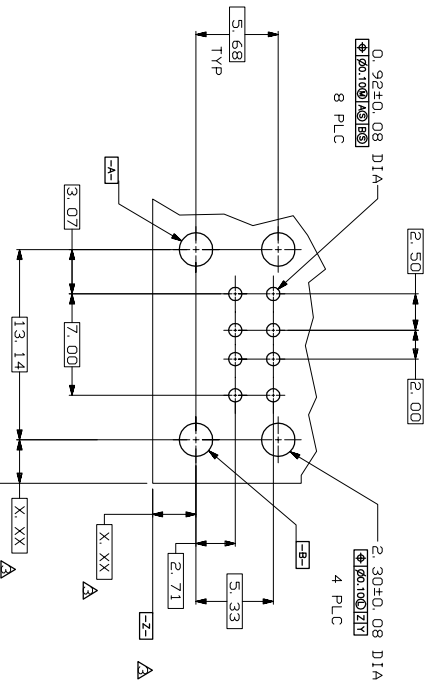
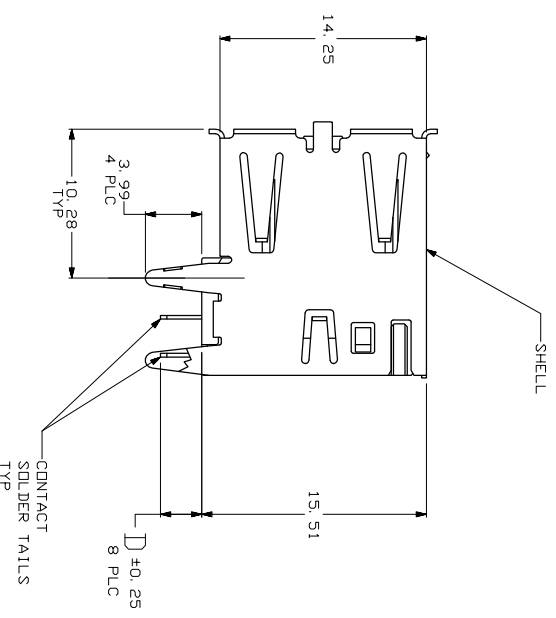
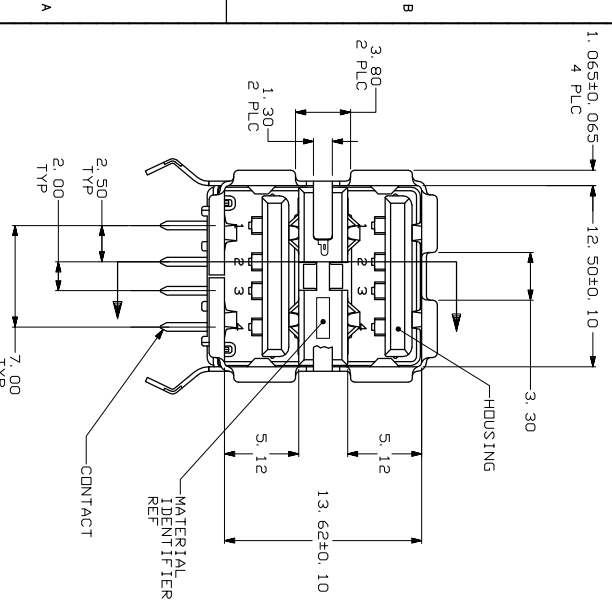


LEAD FREE



RECOMMENDED PC BOARD MOUNTING DIMENSIONS

YES	2.29±0.25	BLACK	5787745-5
YES	2.84±0.25	BLACK	5787745-4
ND	2.84±0.25	NATURAL	5787745-3
ND	2.29±0.25	BLACK	5787745-2
ND	2.84±0.25	BLACK	5787745-1

HIGH TEMPERATURE COMPATIBLE

D	HOUSING COLOR	PART NUMBER
D	HOUSING COLOR	

- △ MATERIAL: SHELL & CONTACTS- COPPER ALLOY.
- △ HOUSING- UL 94V-0 RATED, THERMOPLASTIC. SEE TABLE.
- △ PLATING: CONTACTS- 0.076 MICROMETERS MINIMUM GOLD OVER 0.76 MICROMETERS MINIMUM PALLADIUM-NICKEL ON MATING AREA. OR CONTACT ALTERNATE PLATING 0.76 MICROMETERS MINIMUM GOLD ON MATING AREA. 3.80 MICROMETERS MINIMUM TIN ON SOLDER TAILS. BOTH OVER 1.27 MICROMETERS MINIMUM NICKEL.
- △ SHELL: 2-5um THICK TIN.
- △ DATUM AND BASIC DIMENSIONS ESTABLISHED BY CUSTOMER.
- △ RECOMMENDED PC BOARD THICKNESS OF 1.57.