

Distributed by:

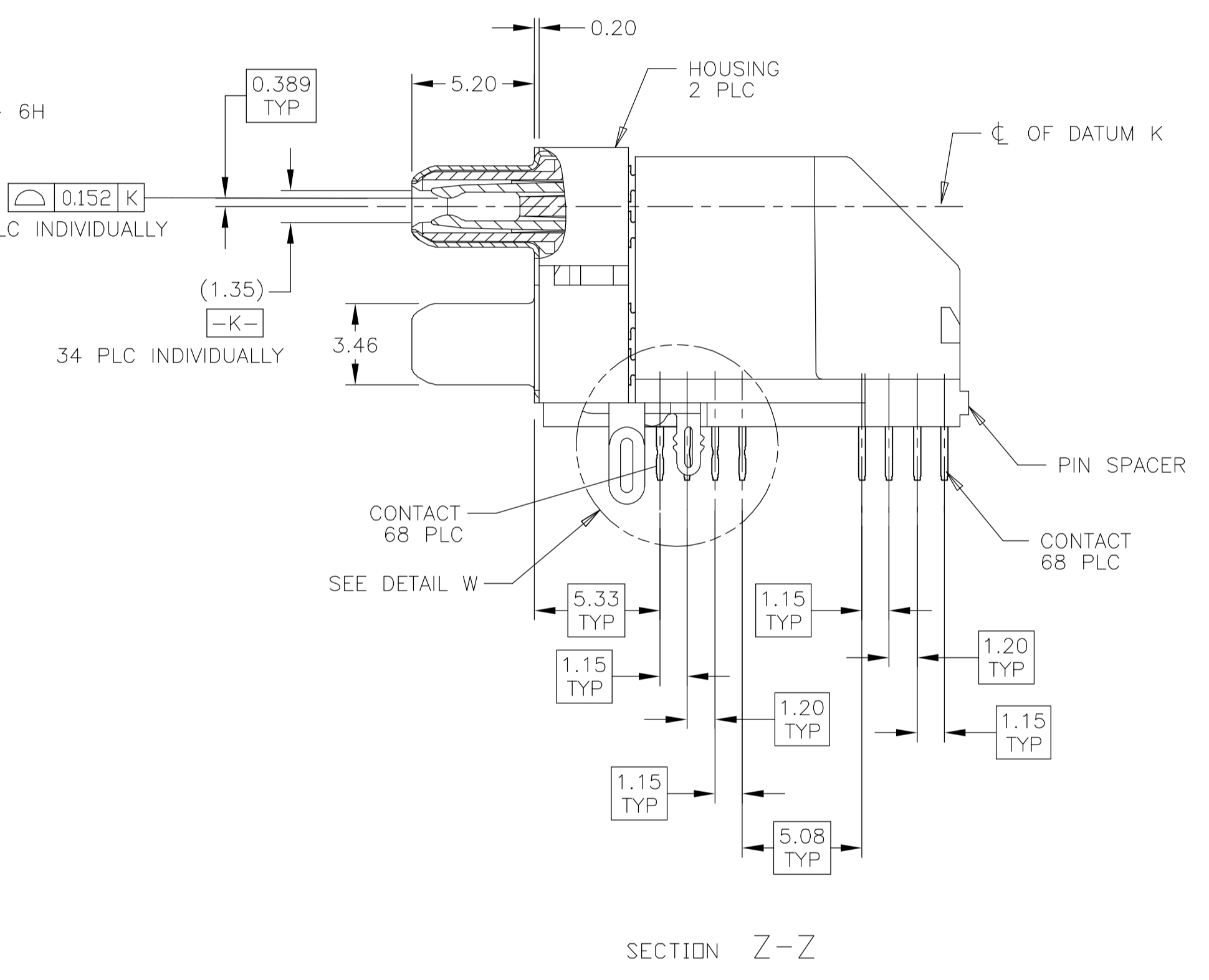
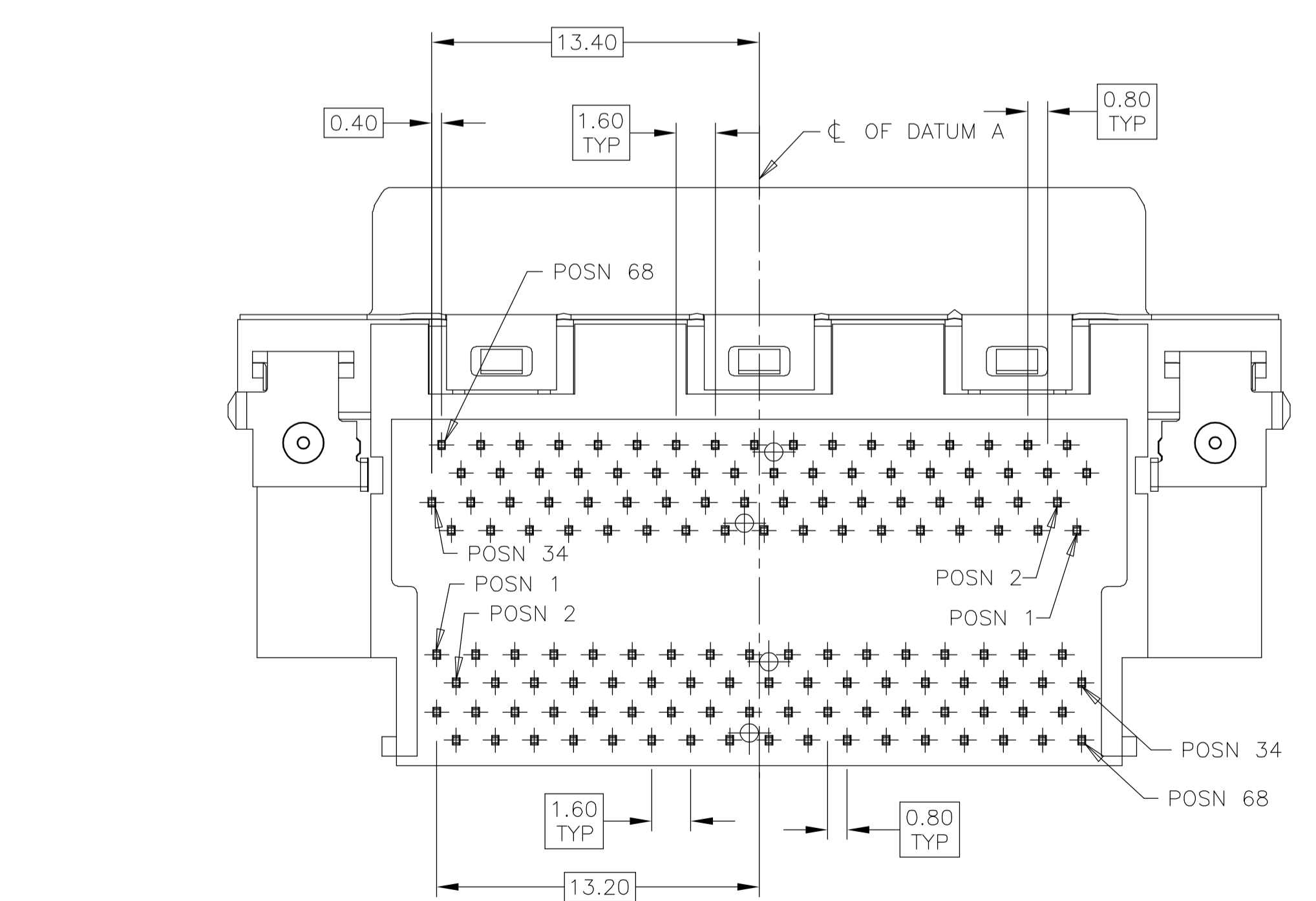
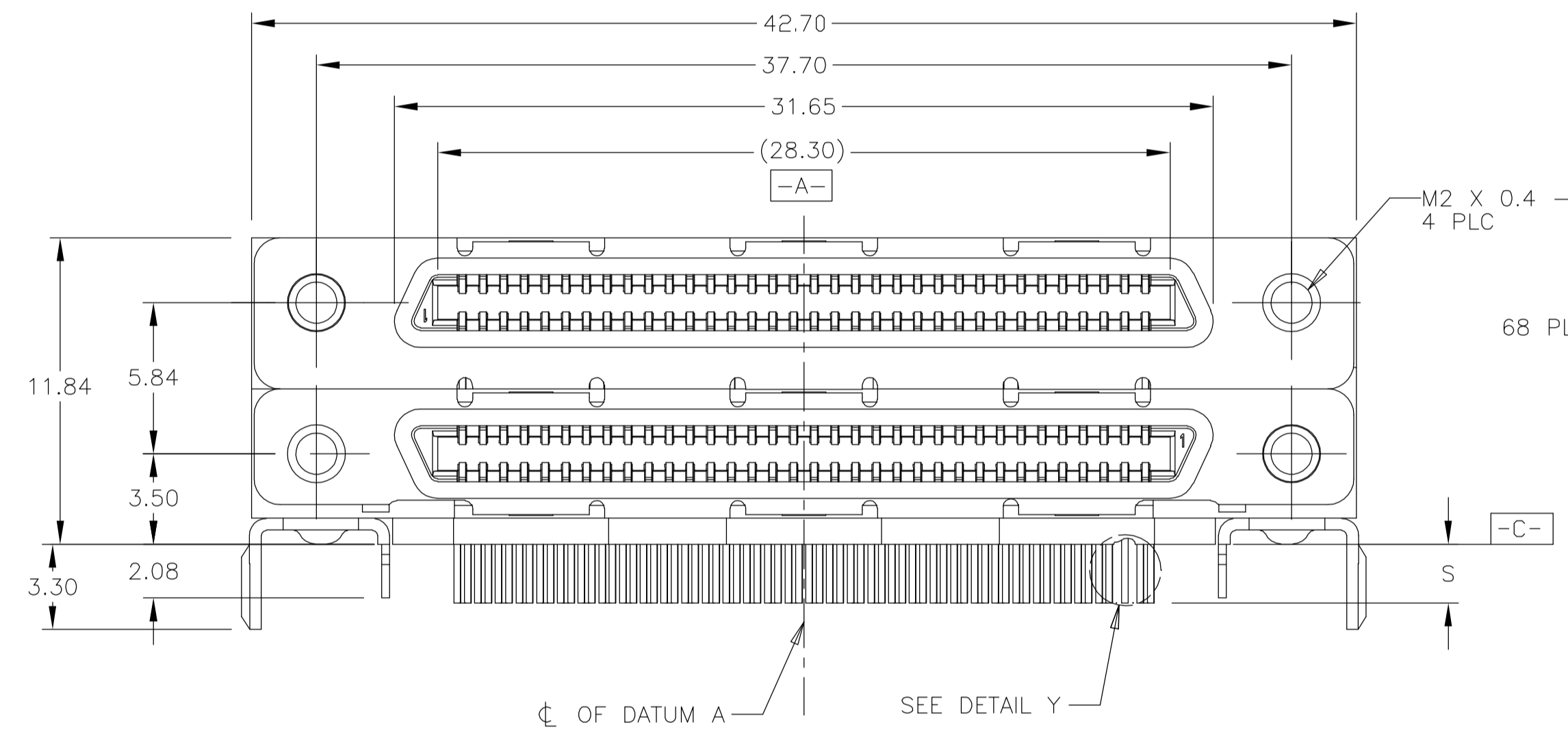
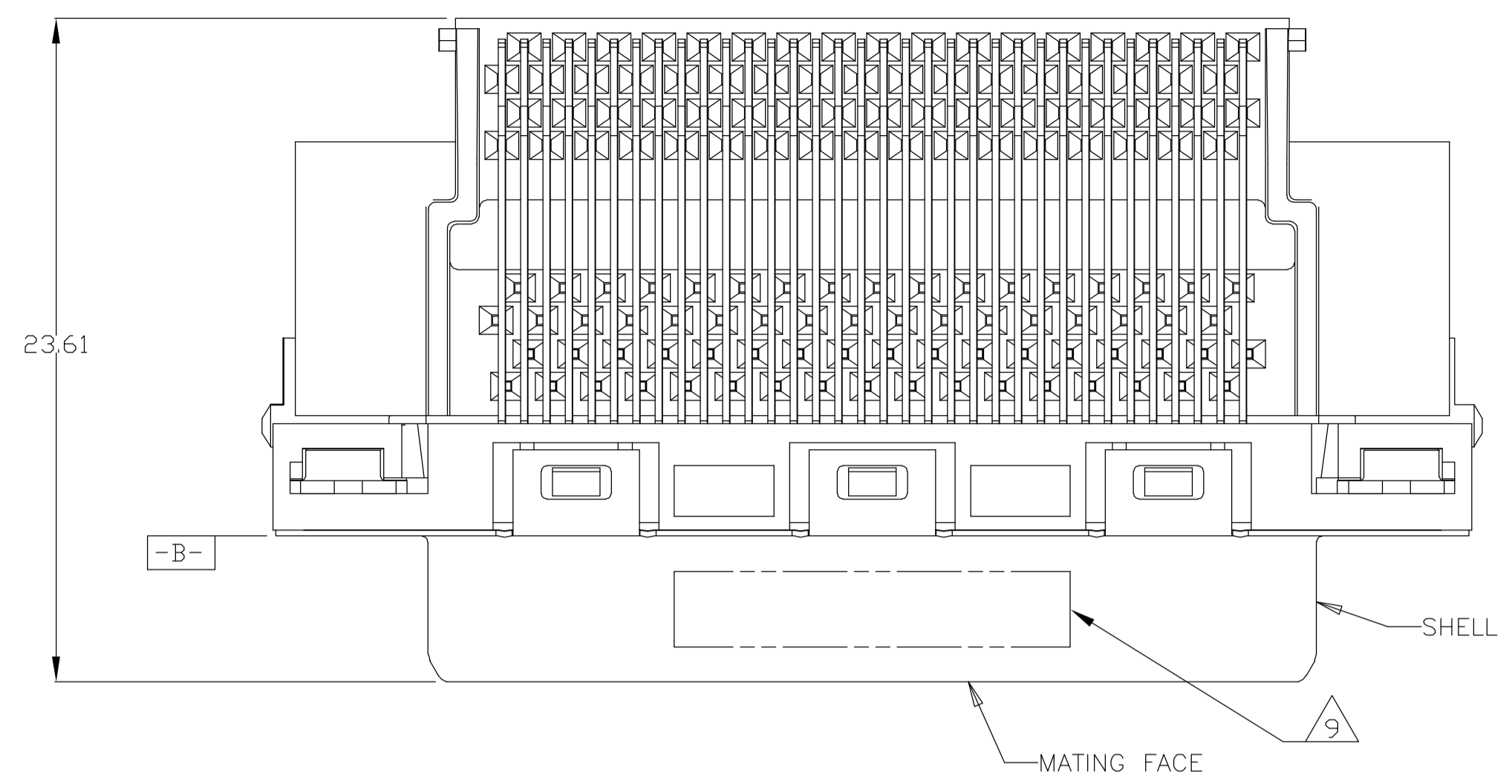
**JAMECO**<sup>®</sup>  
ELECTRONICS

**www.Jameco.com ♦ 1-800-831-4242**

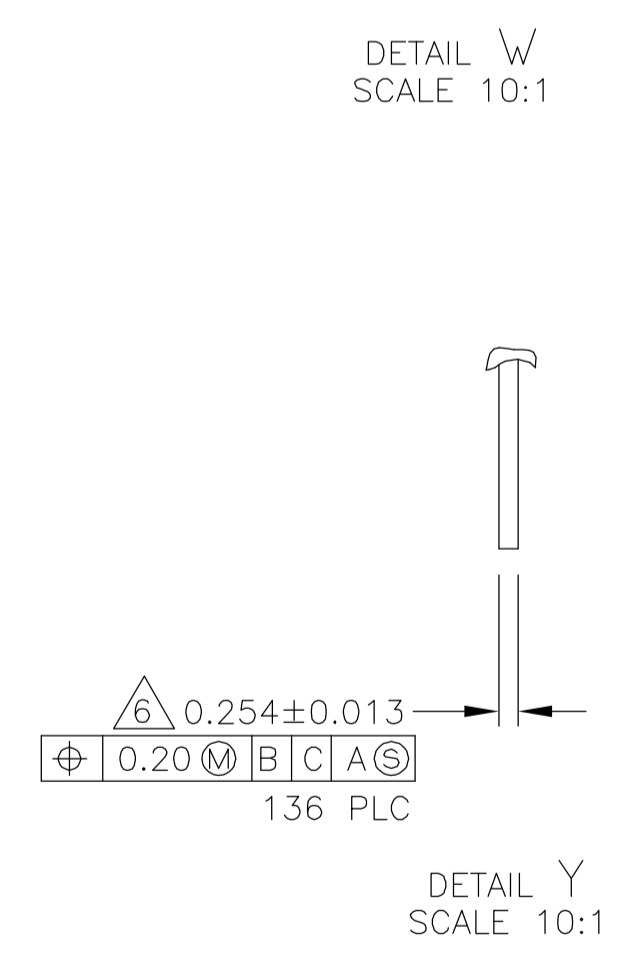
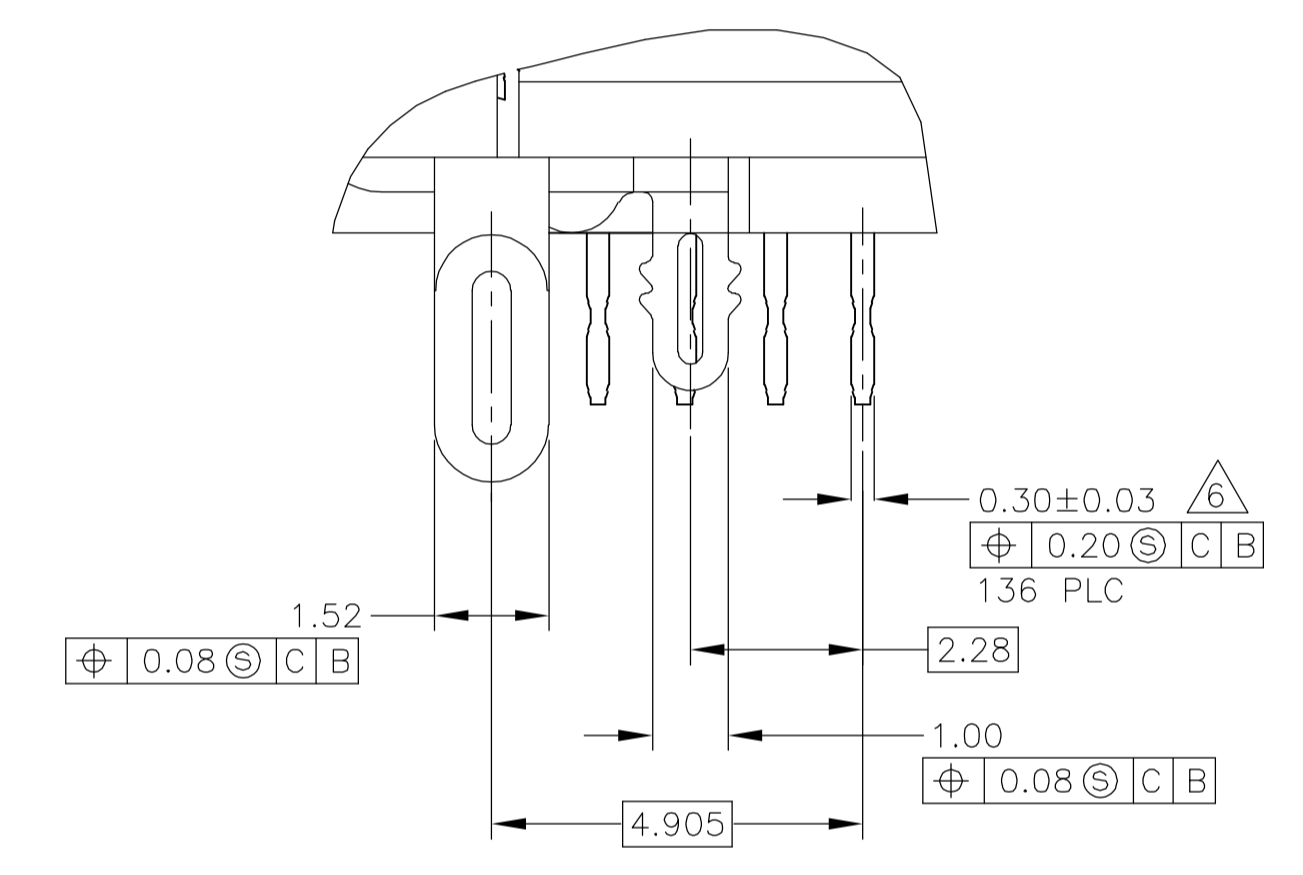
The content and copyrights of the attached  
material are the property of its owner.

Jameco Part Number 1405376

LOC		DIST		REVISIONS			
GP	00	REV	DATE	BY	APP'D	DATE	BY
B		REVISED PER ECO-07-0042221	30MAR07	JDP	EDB		

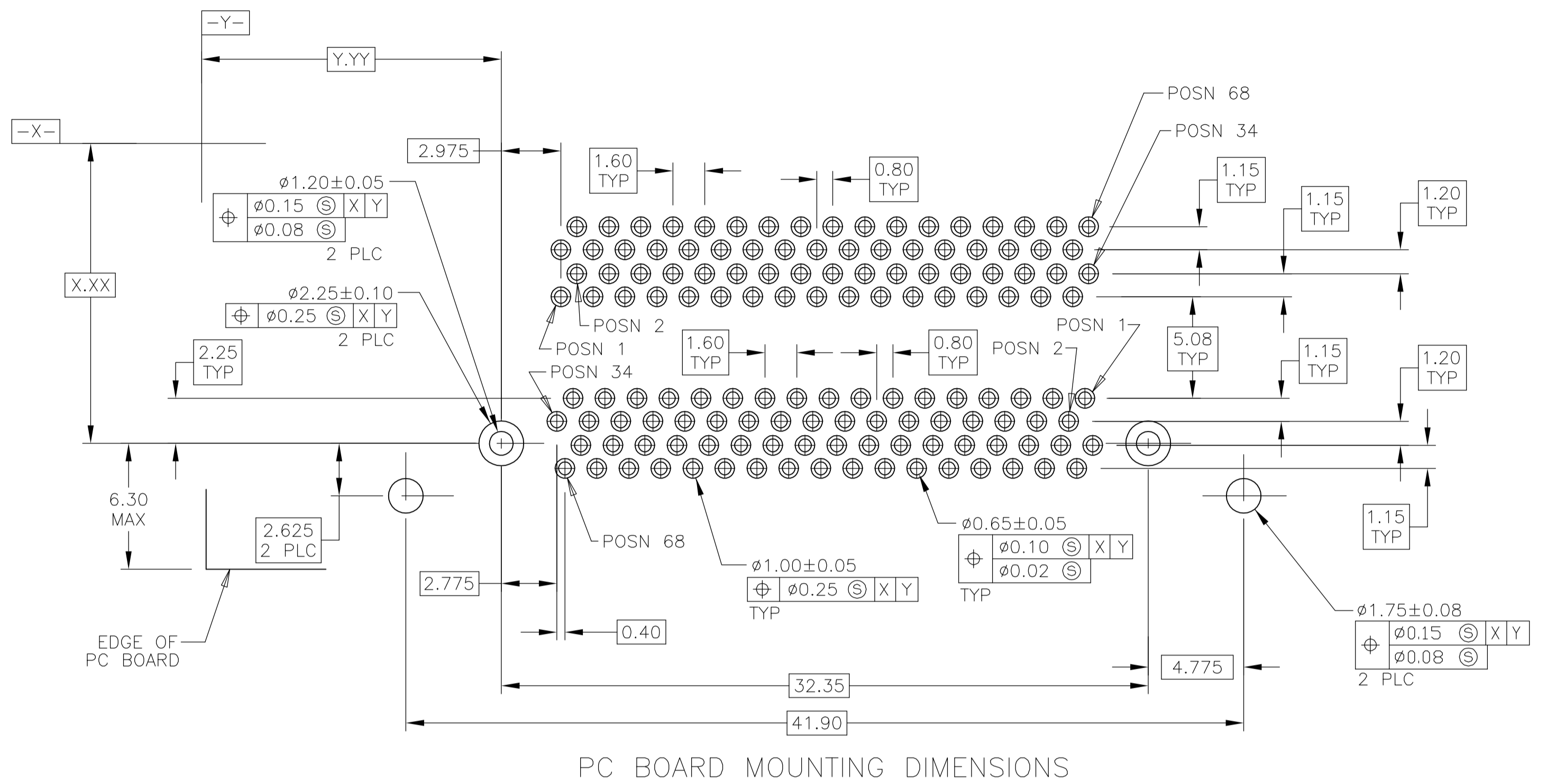


- ⚠ MOLDED PARTS: THERMOPLASTIC, BLACK, UL 94V-0 RATED.  
SHELL: CARBON STEEL.  
CONTACTS: PHOSPHOR BRONZE.  
BRACKETS: STEEL.
- ⚠ SHELL: 5.08µm MIN NICKEL OVER 2.54µm MIN COPPER.  
CONTACTS: 0.76µm MIN GOLD ON MATING END, 3.75µm MIN TIN ON SOLDER TAILS, BOTH OVER 1.27µm MIN NICKEL OVER ENTIRE CONTACT.  
BRACKETS: TIN PLATED.
- 3. CONTACTS DESIGNED FOR USE ON 1.60±0.15 THICK PC BOARD WITH PLATED THRU MOUNTING HOLES.
- 4. RECEPTACLE ASSEMBLY DESIGNED FOR USE WITH 1.12±0.08 THICK PANEL.
- ⚠ DATUMS AND DIMENSIONS ESTABLISHED BY CUSTOMER.
- ⚠ POSITION TOLERANCE APPLIES AT CONTACT TIP ONLY.
- ⚠ OFFSET DIMENSION APPLIES TO LOWER FOOTPRINT ONLY.
- ⚠ CONTACTS DESIGNED FOR USE ON 2.35±0.15 THICK PC BOARD WITH PLATED THRU MOUNTING HOLES.
- ⚠ DATE CODE MARKED IN APPROXIMATE AREA SHOWN.

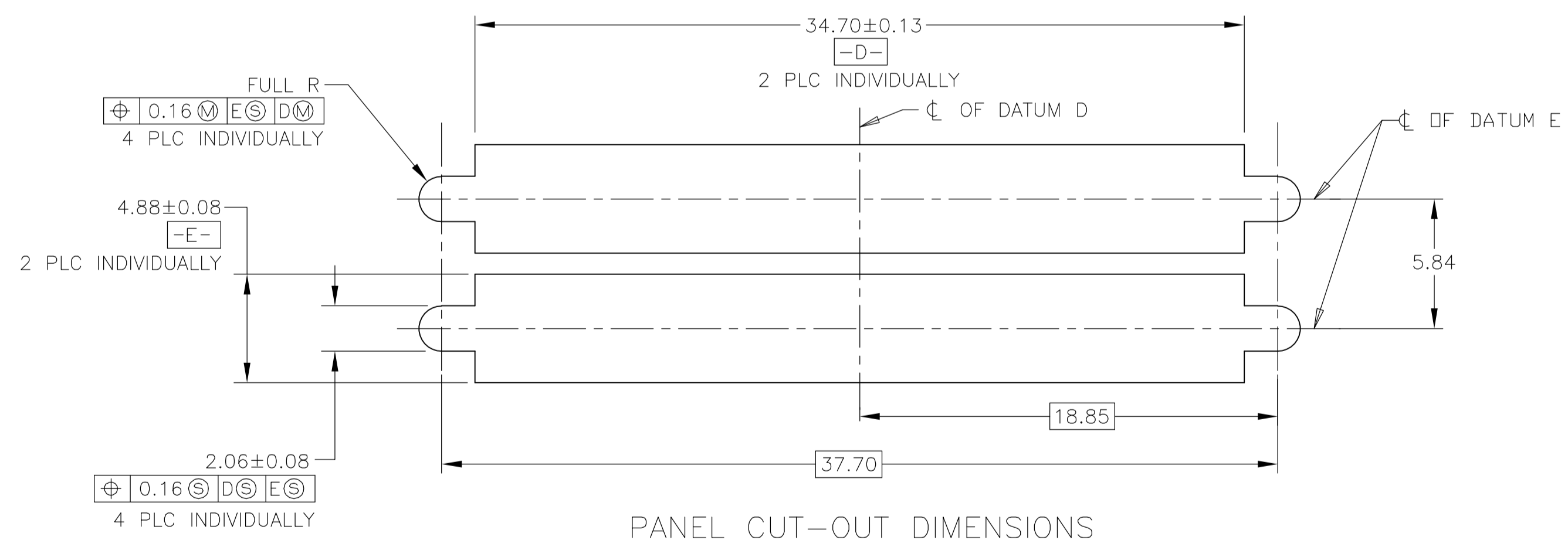


REMARKS	DATE	BY
3.55	5787962-2	
2.27	5787962-1	
S		PART NUMBER

THIS DRAWING IS A CONTROLLED DOCUMENT.		DIN J.GERACE 24JAN05	Tyco Electronics Corporation Harrisburg, Pa 17105-3608
DIMENSIONS: mm		CIK S.SHUEY 24JAN05	
TOLERANCES UNLESS OTHERWISE SPECIFIED:		AP/D M.WALMSLEY 24JAN05	NAME
0 PLC ± -		PRODUCT SPEC	RECEPTACLE ASSEMBLY, RIGHT ANGLE, 68 POS, STACKED, CHAMP 0.8mm
1 PLC ± -		108-1471-1	
2 PLC ± 0.13		APPLICATION SPEC	
3 PLC ± -		114-6057	
4 PLC ± -		SIZE	A1
ANGLES ± 1°		WEIGHT	00779
MATERIAL		FINISH	5787962
1		2	3
CUSTOMER DRAWING		SCALE 5:1	SHEET 1 OF 2



PC BOARD MOUNTING DIMENSIONS



PANEL CUT-OUT DIMENSIONS

THIS DRAWING IS A CONTROLLED DOCUMENT.		DWG: J.GERACE	DATE: 24JAN05	 Tyco Electronics Corporation Harrisburg, PA 17105-3608
DIMENSIONS: mm		CHK: S.SHUEY	DATE: 24JAN05	
TOLERANCES UNLESS OTHERWISE SPECIFIED:		APD: M.WALMSLEY		NAME: RECEPTACLE ASSEMBLY, RIGHT ANGLE, 68 POS, STACKED, CHAMP 0.8mm
0 PLC	± -	PRODUCT SPEC: 108-1471-1		RESTRICTED TO: -
1 PLC	± -	APPLICATION SPEC: 114-6057		SIZE: A1
2 PLC	± 0.13	WEIGHT: -		CAGE CODE: 00779
3 PLC	± -	FINISH: -		DRAWING NO: 5787962
4 PLC	± -	CUSTOMER DRAWING		SCALE: 5:1
ANGLES	± 1'	SHEET 2 OF 2		REV B