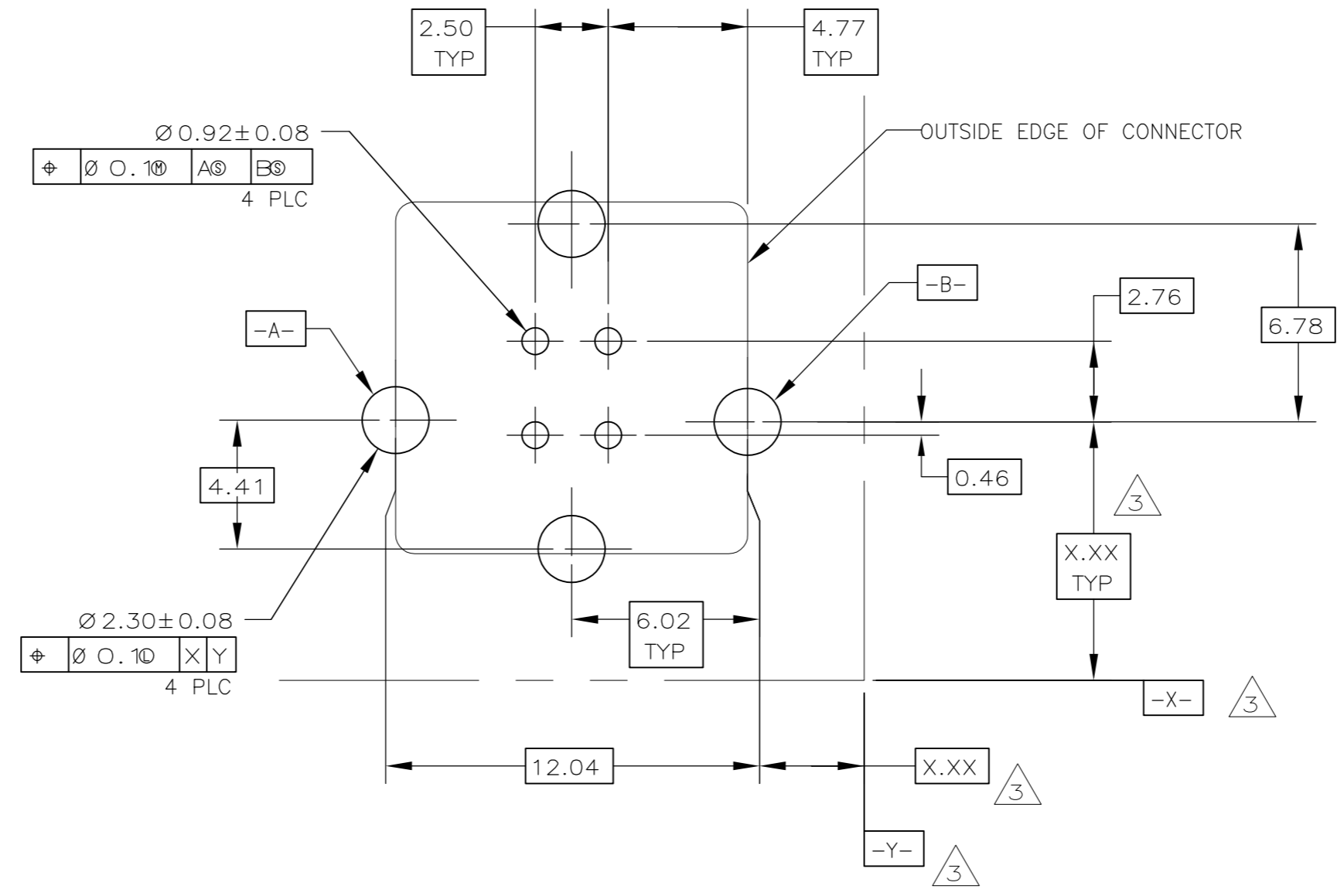
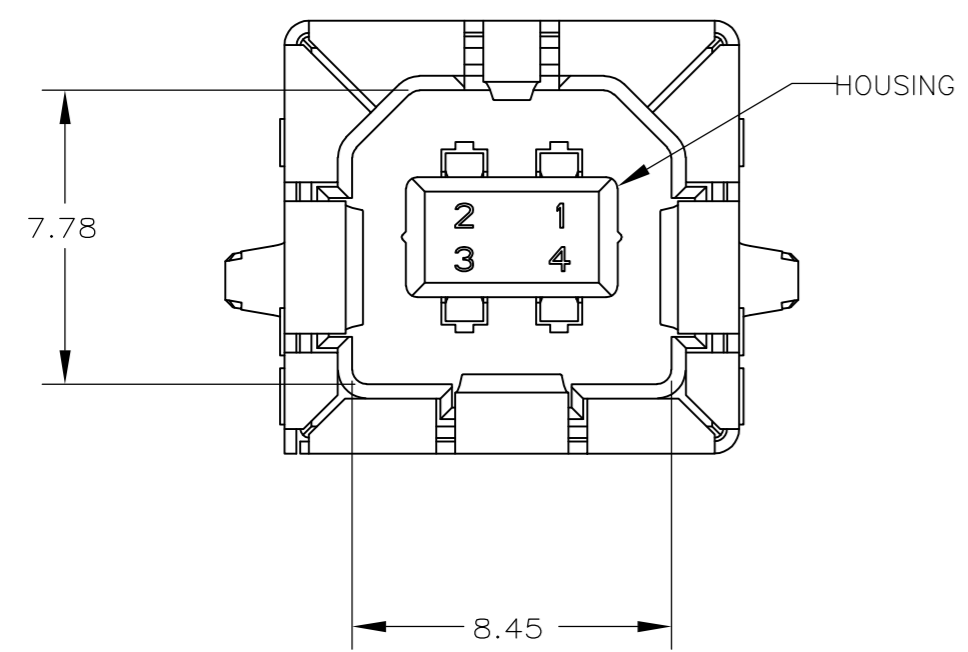
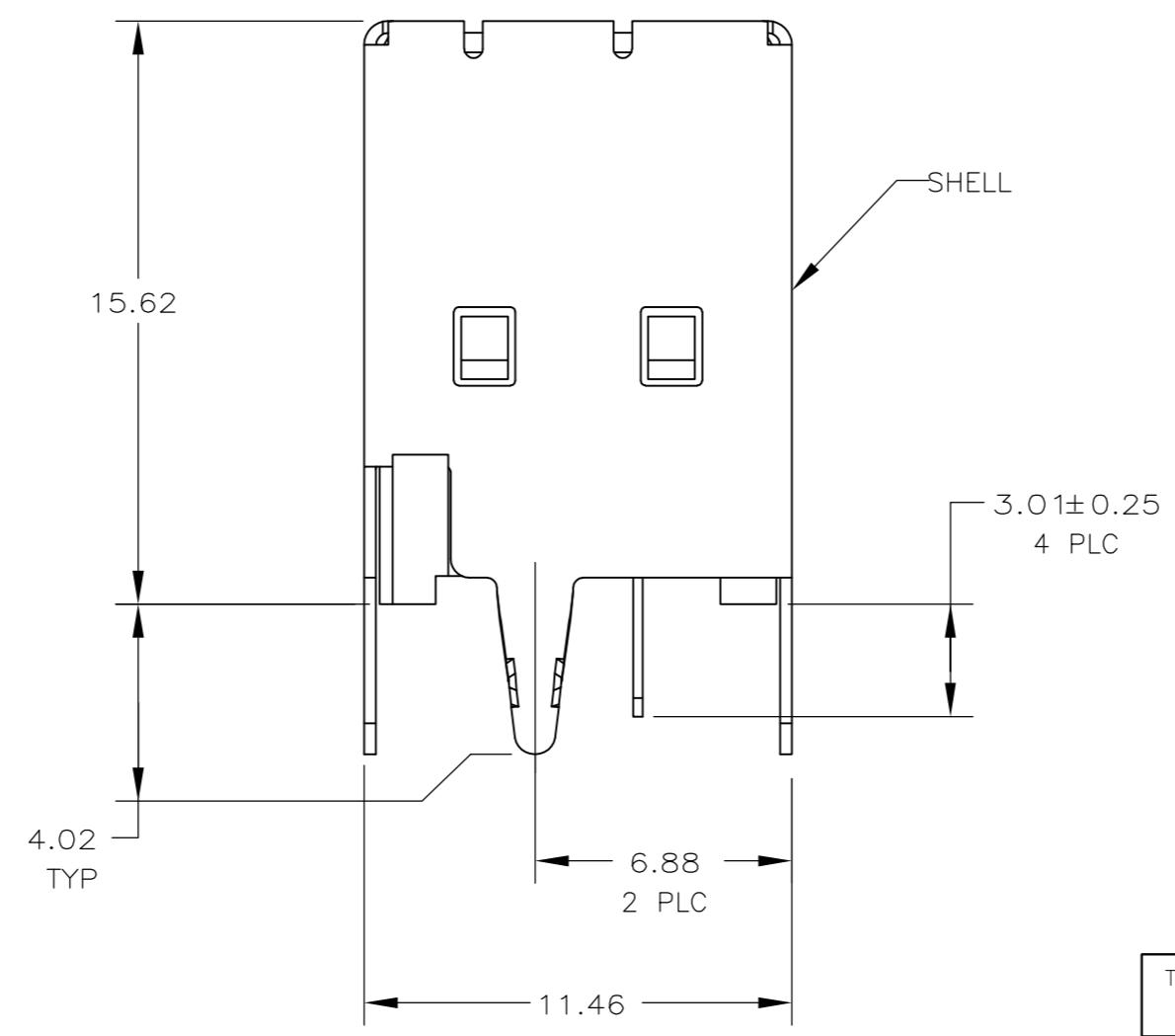
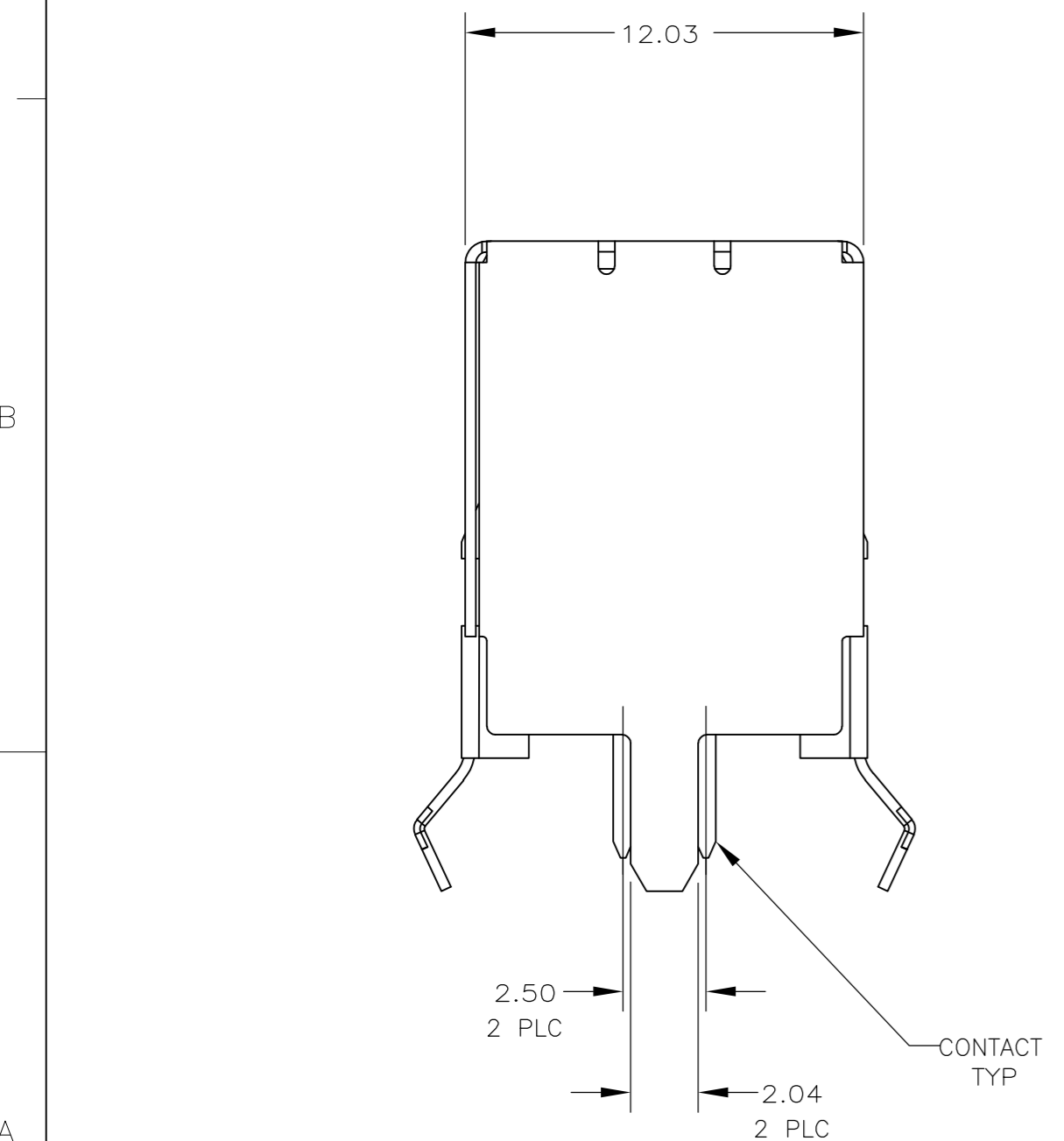


THIS DRAWING IS UNPUBLISHED. RELEASED FOR PUBLICATION
 © COPYRIGHT - 19 By - ALL RIGHTS RESERVED.

LOC		DIST		REVISIONS			
P	LTR	DESCRIPTION		DATE	DWN	APVD	
ES	00	P		REVISED PER ECO-11-005033	26MAR11	RK	HMR



LEAD FREE



- 1 SHELL & CONTACTS - PHOSPHOR BRONZE.
HOUSING - POLYESTER, UL 94V-0 RATED, BLACK.
- 2 CONTACTS - 0.076µm MINIMUM GOLD OVER 0.76µm MINIMUM PALLADIUM-NICKEL ON MATING AREA, 3.8µm MINIMUM TIN ON SOLDER TAILS, BOTH OVER 1.27µm MINIMUM NICKEL.
CONTACT ALTERNATE PLATING: 0.76µm MINIMUM GOLD ON MATING AREA, 3.80µm MINIMUM TIN ON SOLDER TAILS, BOTH OVER 1.27µm MINIMUM NICKEL.
SHELL - 2~5µm TIN.
- 3 DATUM AND BASIC DIMENSIONS ESTABLISHED BY CUSTOMER.
- 4 RECOMMENDED PC BOARD THICKNESS OF 1.57.
- 5 CONTACTS - 0.38µm MINIMUM GOLD ON MATING AREA, 3.8µm MINIMUM TIN ON SOLDER TAILS, BOTH OVER 1.27µm MINIMUM NICKEL.
SHELL - 2~5µm TIN.

5	5788336-2
2	5788336-1
FINISH	PART NO.

THIS DRAWING IS A CONTROLLED DOCUMENT.		DWN	LEO ZHOU	05NOV04	 TE Connectivity						
DIMENSIONS:		CHK	STEVEN YAO	05NOV04							
mm		APVD	LENOMOTO	05NOV04							
TOLERANCES UNLESS OTHERWISE SPECIFIED:		NAME		PRODUCT SPEC							
0 PLC ± - 1 PLC ± - 2 PLC ± - 3 PLC ± - 4 PLC ± - ANGLES ± -		APPLICATION SPEC		NAME							
MATERIAL	FINISH	WEIGHT	-		SIZE	CAGE CODE	DRAWING NO	RESTRICTED TO			
1	-	CUSTOMER DRAWING	A2	00779	C=5788336	SCALE	5:1	SHEET	1 of 1	REV	P