

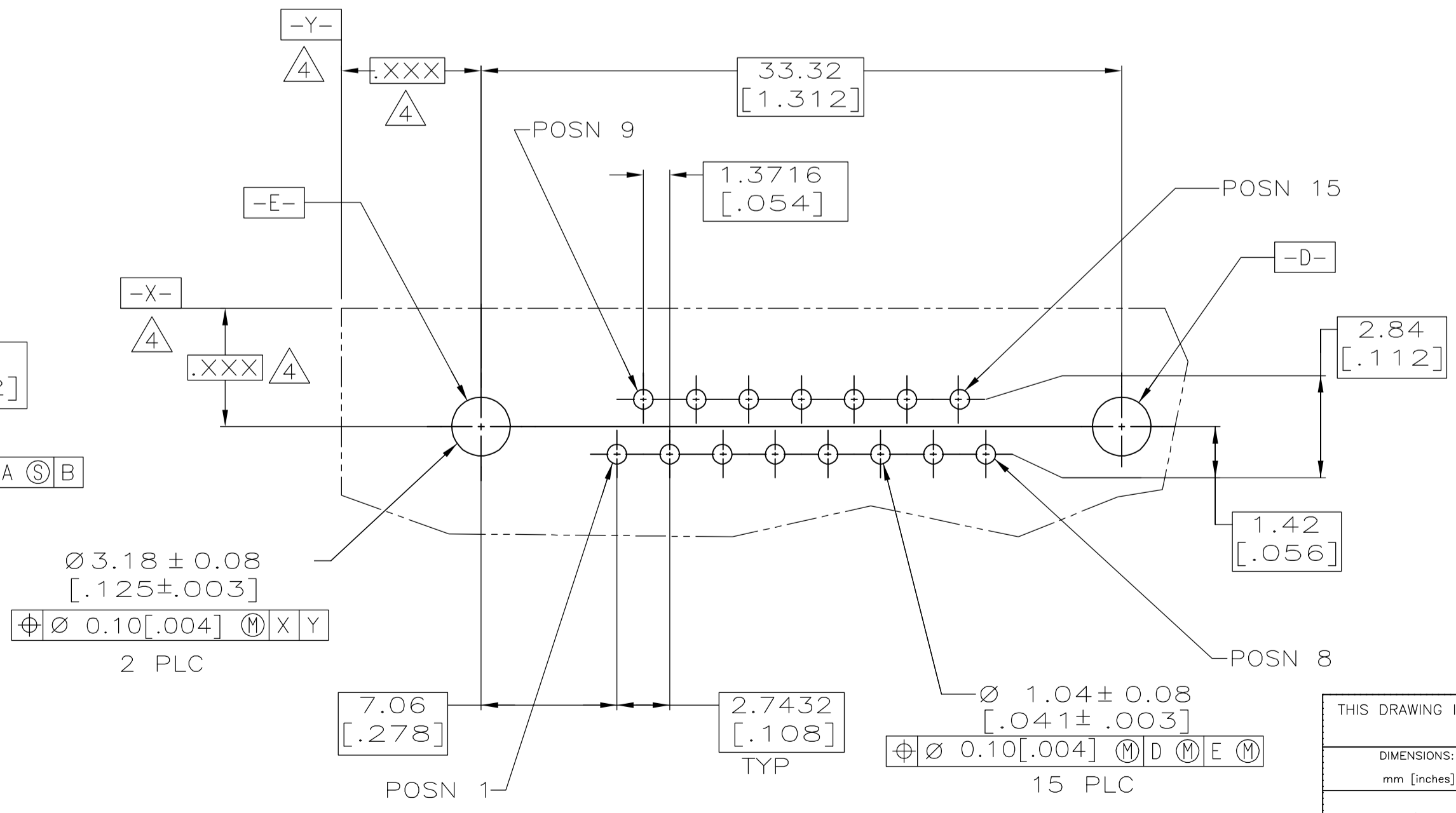
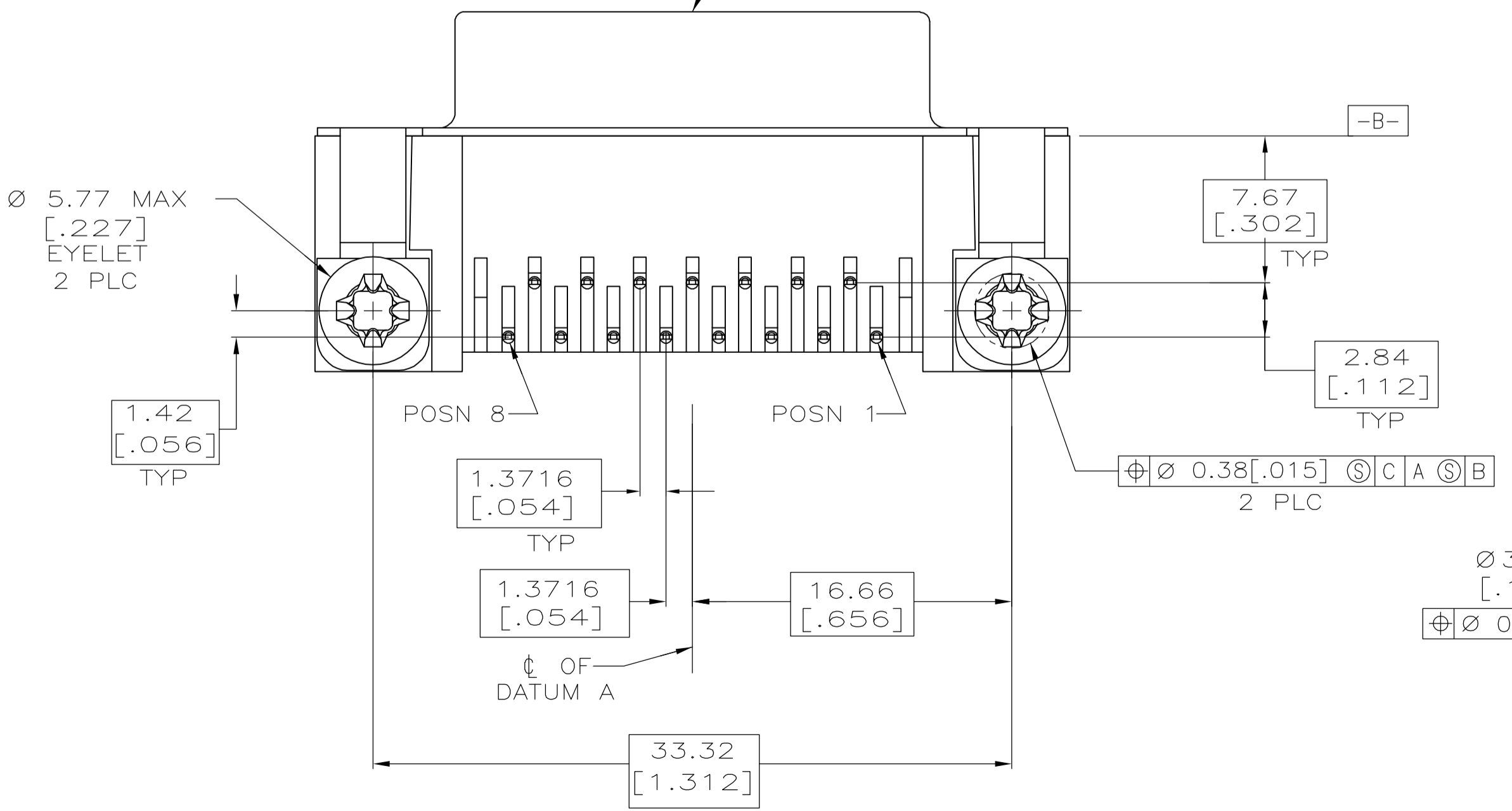
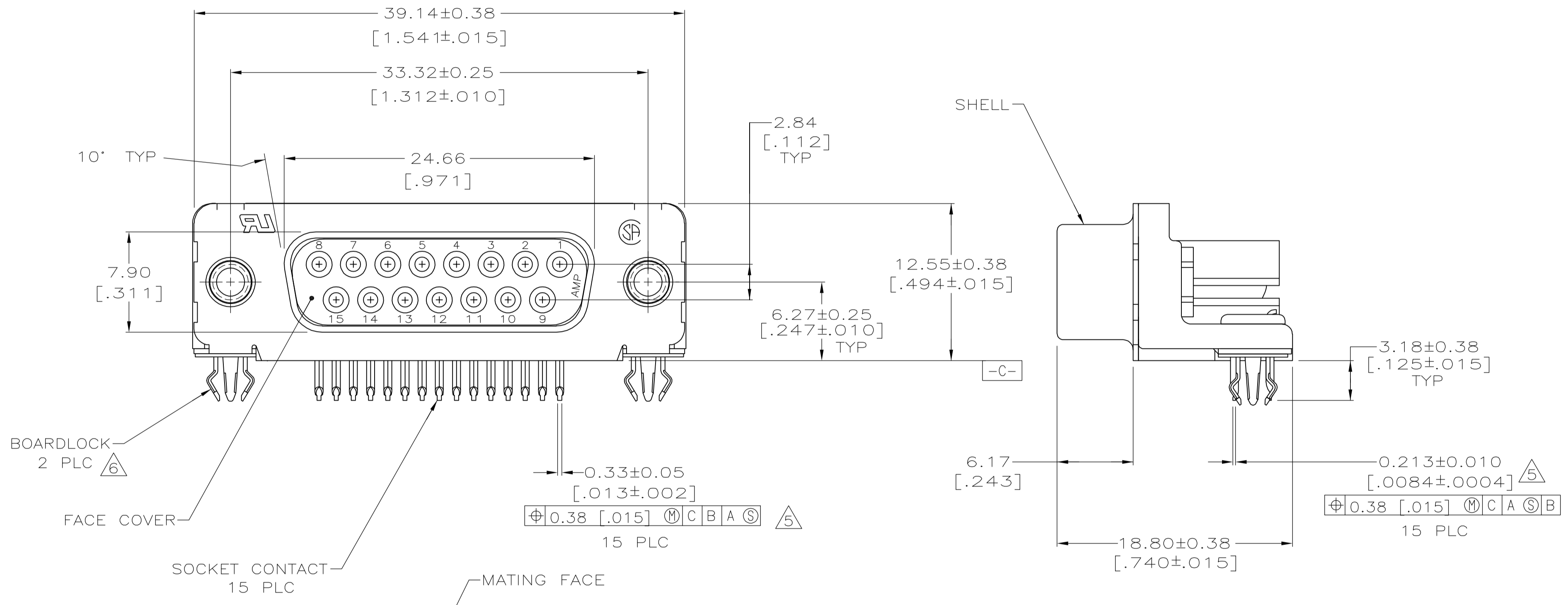
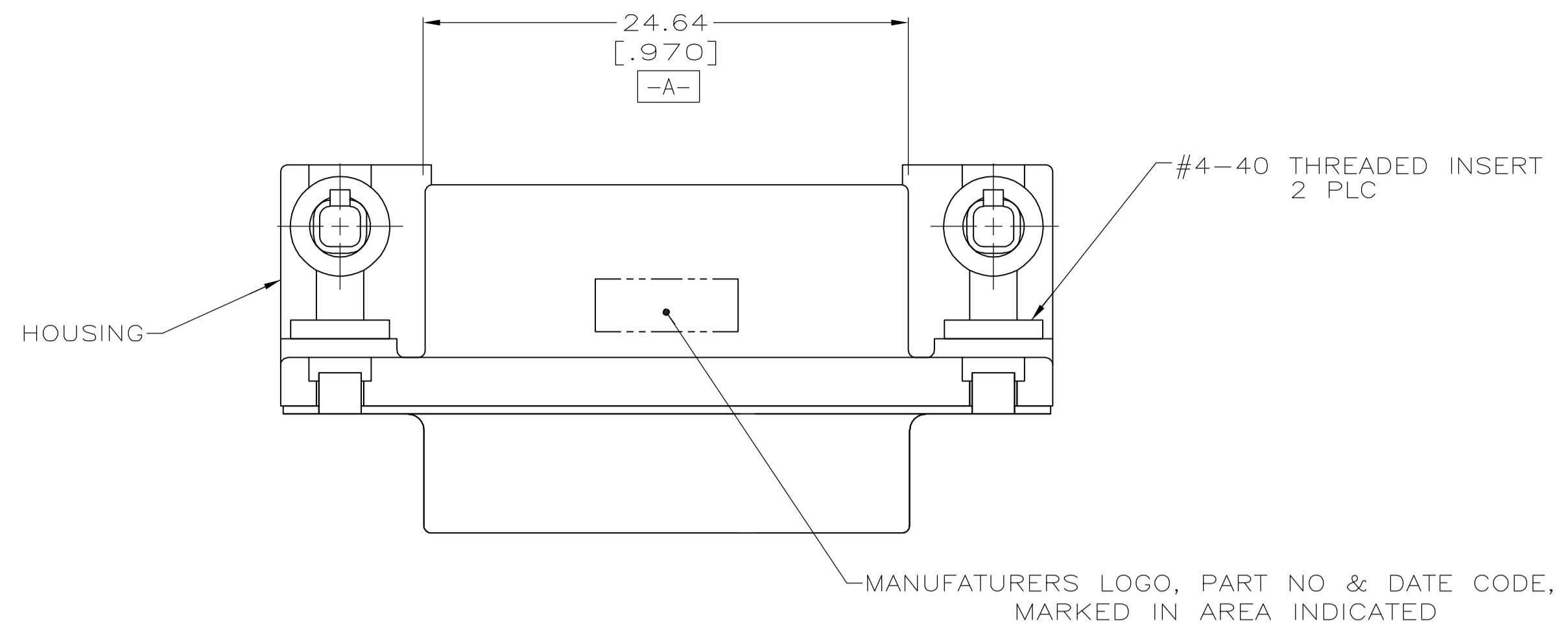
Distributed by:

**JAMECO**<sup>®</sup>  
ELECTRONICS

**www.Jameco.com ♦ 1-800-831-4242**

The content and copyrights of the attached  
material are the property of its owner.

Jameco Part Number 961987



- △ HOUSING & FACE COVER: NYLON, THERMOPLASTIC, UL 94VO RATED, BLACK; SHELL: CARBON STEEL; SOCKET CONTACTS: PHOSPHOR BRONZE; EYELETS: BRASS; THREADED INSERTS: ZINC; BOARDLOCKS: COPPER ALLOY.
- △ SOCKET CONTACTS: GOLD PLATED FOR A LENGTH OF 1.27 [.050] MIN FROM MATING END, 0.76 μm [.000030] MIN GOLD IN MATED AREA, 2.54 μm [.000100] MIN TIN FOR A LENGTH OF 3.56 [.140] MIN FROM OPPOSITE END, BOTH OVER 1.27 μm [.000050] MIN NICKEL. EYELETS: 2.54 μm [.000100] MIN TIN OVER COPPER FLASH. SHELL: 2.54 μm [.000100] MIN TIN OVER 1.27 μm [.000050] MIN COPPER. THREADED INSERTS: CLEAR CHROMATE. BOARDLOCKS: 3.81 μm [.000150] MIN TIN OVER 1.27 μm [.000050] MIN NICKEL.
- △ SOCKET CONTACTS: GOLD PLATED FOR A LENGTH OF 1.27 [.050] MIN FROM MATING END, GOLD FLASH IN MATED AREA, 2.54 μm [.000100] MIN TIN FOR A LENGTH OF 3.56 [.140] MIN FROM OPPOSITE END, BOTH OVER 1.27 μm [.000050] MIN NICKEL. EYELETS: 2.54 μm [.000100] MIN TIN OVER COPPER FLASH. SHELL: 2.54 μm [.000100] MIN TIN OVER 1.27 μm [.000050] MIN COPPER. THREADED INSERTS: CLEAR CHROMATE. BOARDLOCKS: 3.81 μm [.000150] MIN TIN OVER 1.27 μm [.000050] MIN NICKEL.
- △ DATUMS AND BASIC DIMENSIONS ESTABLISHED BY CUSTOMER.
- △ POSITION TOLERANCE APPLIES AT CONTACT TIP.
- △ BOARDLOCKS WILL ACCEPT .062 MAX PRINTED CIRCUIT BOARD THICKNESS.
- 7. COMPATIBLE WITH TYPICAL HIGH TEMPERATURE SOLDERING APPLICATIONS TO A MAXIMUM OF 225° C FOR A MAXIMUM DURATION OF 90 SECONDS. TEMPERATURE TO BE MEASURED ON CONNECTOR SURFACE.

OBSOLETE	TUBES	△	5788798-3
OBSOLETE	TRAYS	△	5788798-2
	TRAYS	△	5788798-1
	PACKAGING	FINISH	PART NO

THIS DRAWING IS A CONTROLLED DOCUMENT.

DIMENSIONS: mm [inches]	TOLERANCES UNLESS OTHERWISE SPECIFIED: 0 PLC ± - 1 PLC ± - 2 PLC ± 0.13 [.005] 3 PLC ± - 4 PLC ± - ANGLES ± -	DIN J. ALCORTA - DOCK5 04-12-05 CIK S. BOLASH 04-12-05 APVD M. WALMSLEY 04-12-05	tyco Electronics Tyco Electronics Corporation Harrisburg, PA 17105-3608
MATERIAL △	FINISH SEE TABLE	PRODUCT SPEC 108-40025 APPLICATION SPEC 114-40010	RCPT ASSEMBLY, SIZE 2, 318 SERIES, WITH FRONT METAL SHELL, HIGH TEMPERATURE, AMPLIMITE HD-20
		SIZE A1	WEIGHT -
		CAGE CODE 00779	DRAWING NO 5788798
		CUSTOMER DRAWING	RESTRICTED TO -

SCALE 4:1 SHEET 1 OF 1 REV A

RECOMMENDED PC BOARD LAYOUT  
 1.57 [.062] PC BOARD THICKNESS