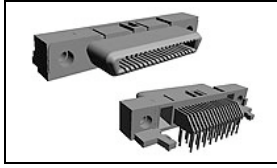


5796055-1 Product Details



5796055-1

TE Internal Number: 5796055-1



0.8 [.031] PCB Connectors and Cable Connectors

 Always EU RoHS/ELV Compliant (Statement of Compliance)

Product Highlights:

- Connector Style = Receptacle
- 68 Positions
- 68 Signal Positions
- Applies To Printed Circuit Board
- PCB Mount Style = Surface Mount Compatible

Documentation & Additional Information

Product Drawings:

- [RECEPTACLE ASSEMBLY, RIGHT ANGLE, 68 POS, SHIELDED, ...](#) (PDF, English)

Catalog Pages/Data Sheets:

- None Available

Product Specifications:

- [.08 mm CHAMP* Single or Stackable Receptacle and Cab...](#) (PDF, English)

Application Specifications:

- [CHAMP 0.8 mm Cable and Printed Circuit \(PC\) Board Co...](#) (PDF, English)

Instruction Sheets:

- [Tooling Kit 768900-4](#) (PDF, English)
- [Mass Termination Tooling Assembly 543580-1 & Cutter ...](#) (PDF, English)
- [Manual Arbor Frame Assembly 91085-2](#) (PDF, English)

CAD Files: (CAD Format & Compression Information)

- [2D Drawing](#) (DXF, Version B)
- [3D Model](#) (IGES, Version B)
- [3D Model](#) (STEP, Version B)

Additional Information:

- [Product Line Information](#)

Related Products:

- [Tooling](#)

Product Features (Please use the Product Drawing for all design activity)

Product Type Features:

- **PCB Mount Style** = Surface Mount Compatible
- **Mount Angle** = Right Angle
- **Profile** = High
- **Stacked** = No
- **PCB Mount Alignment** = With
- **PCB Mount Retention** = With
- **PCB Mount Alignment Type** = 2 Pylons
- **PCB Mount Retention Type** = Boardlock(s)
- **Shell Material** = Steel
- **Mating Connector Lock** = Without

Mechanical Attachment:

- **Panel Mount Retention** = Without
- **Boardlock Material** = Steel
- **Boardlock Plating** = Tin

Electrical Characteristics:

- **Shielded** = Yes

Termination Features:

- **Termination Post Length** (mm [in]) = 2.27 [0.089]
- **Solder Tail Contact Plating** = Tin

Dimensions:

- **PCB Thickness, Recommended** (mm [in]) = 1.60 [0.063]

Body Features:

- **Center Ground Plate** = Without
- **Insert Material** = Thermoplastic
- **Shell Plating** = Nickel over Copper

Contact Features:

- **Contact Plating, Mating Area, Material** = Gold (30) over Palladium Nickel
- **Contact Base Material** = Phosphor Bronze

Housing Features:

- **Connector Style** = Receptacle
- **UL Flammability Rating** = UL 94V-0
- **Housing Material** = Thermoplastic - GF
- **Housing Color** = Black

Configuration Features:

- **Number of Positions** = 68
- **Number of Signal Positions** = 68
- **Number of Rows** = 2
- **Contact Centerline Spacing** (mm [in]) = 0.80 [0.031]

Industry Standards:

- **RoHS/ELV Compliance** = RoHS compliant, ELV compliant
- **Lead Free Solder Processes** = Reflow solder capable to 245°C, Reflow solder capable to 260°C
- **RoHS/ELV Compliance History** = Always was RoHS compliant
- **Insert Flammability Rating** = UL 94V-0

Conditions for Usage:

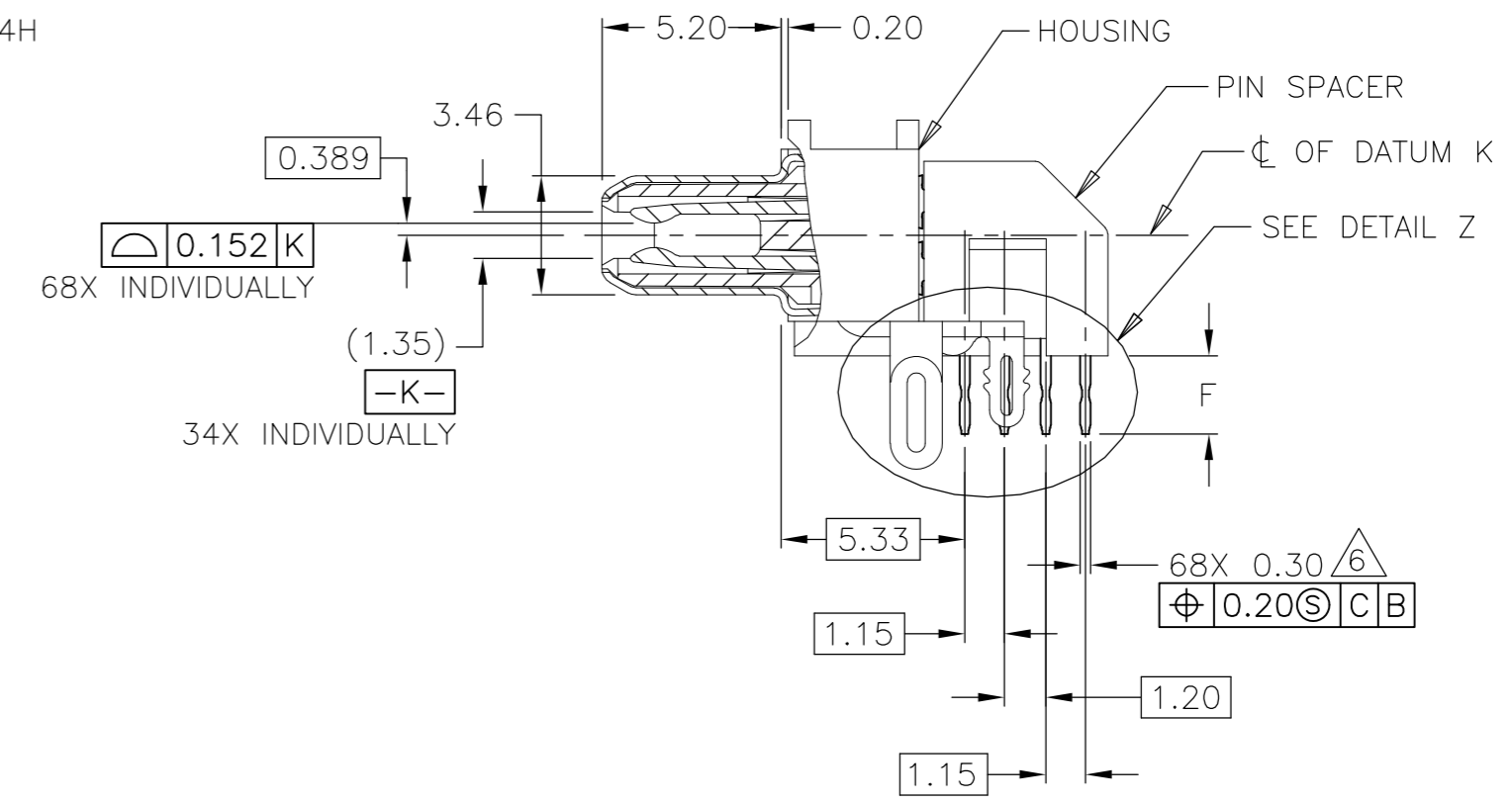
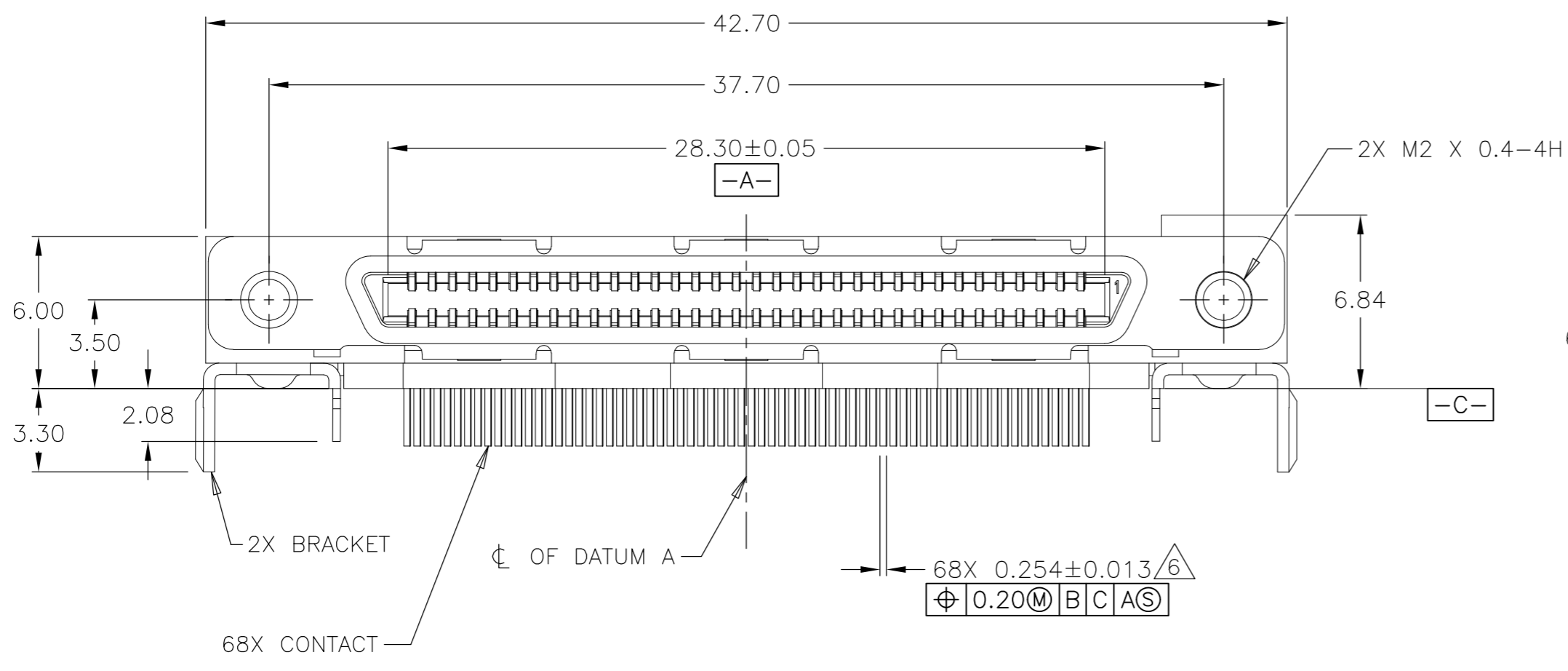
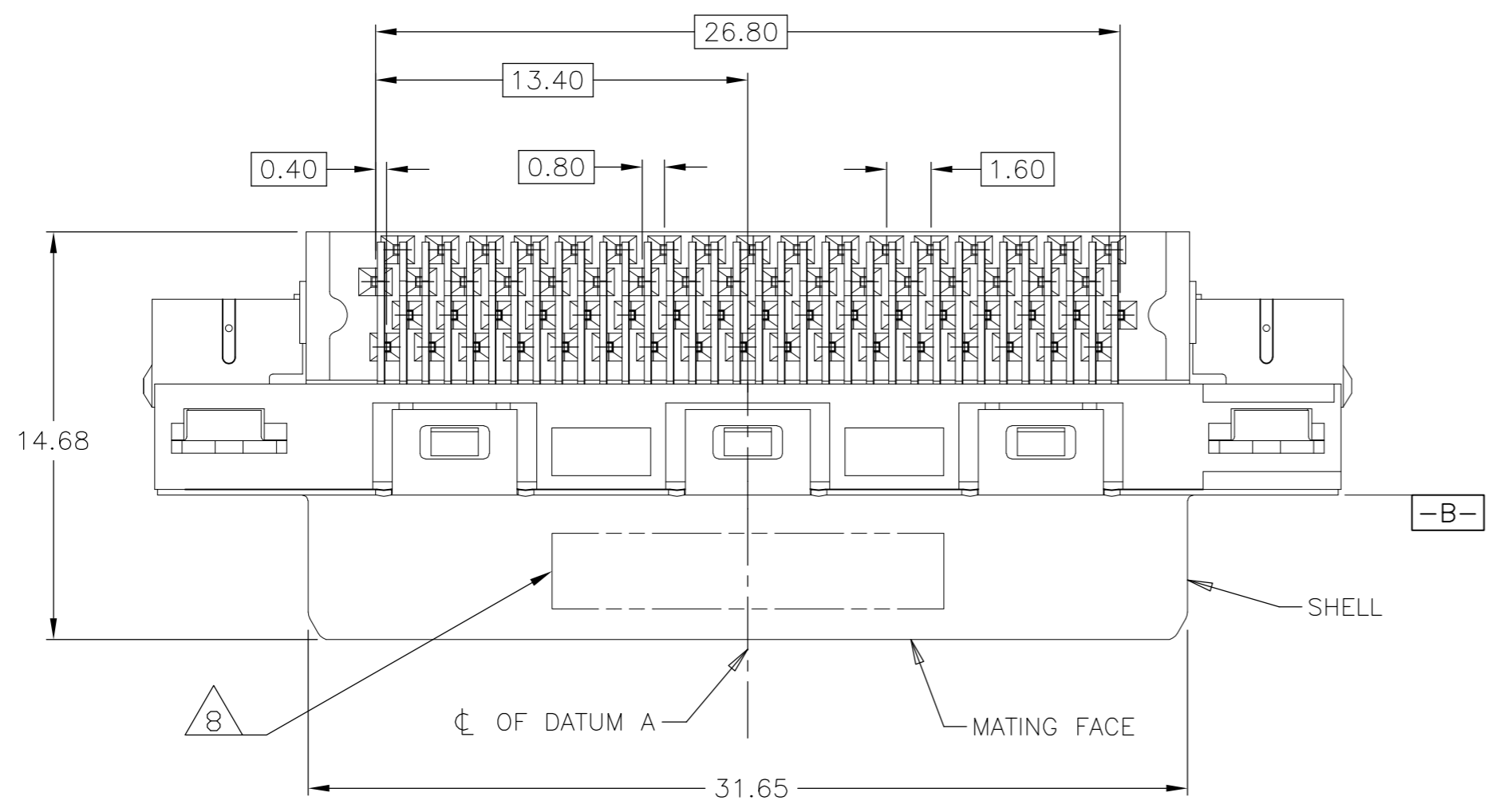
- **Applies To** = Printed Circuit Board

Other:

- **Brand** = AMP
- **Comment** = Row 1 - kinked legs

THIS DRAWING IS UNPUBLISHED. RELEASED FOR PUBLICATION
 © COPYRIGHT - By - ALL RIGHTS RESERVED.

LOC		DIST		REVISIONS			
P	LTR	DESCRIPTION		DATE	DWN	APVD	
	B1	REVISED PER ECO-11-004835		11MAR11	RK	HMR	



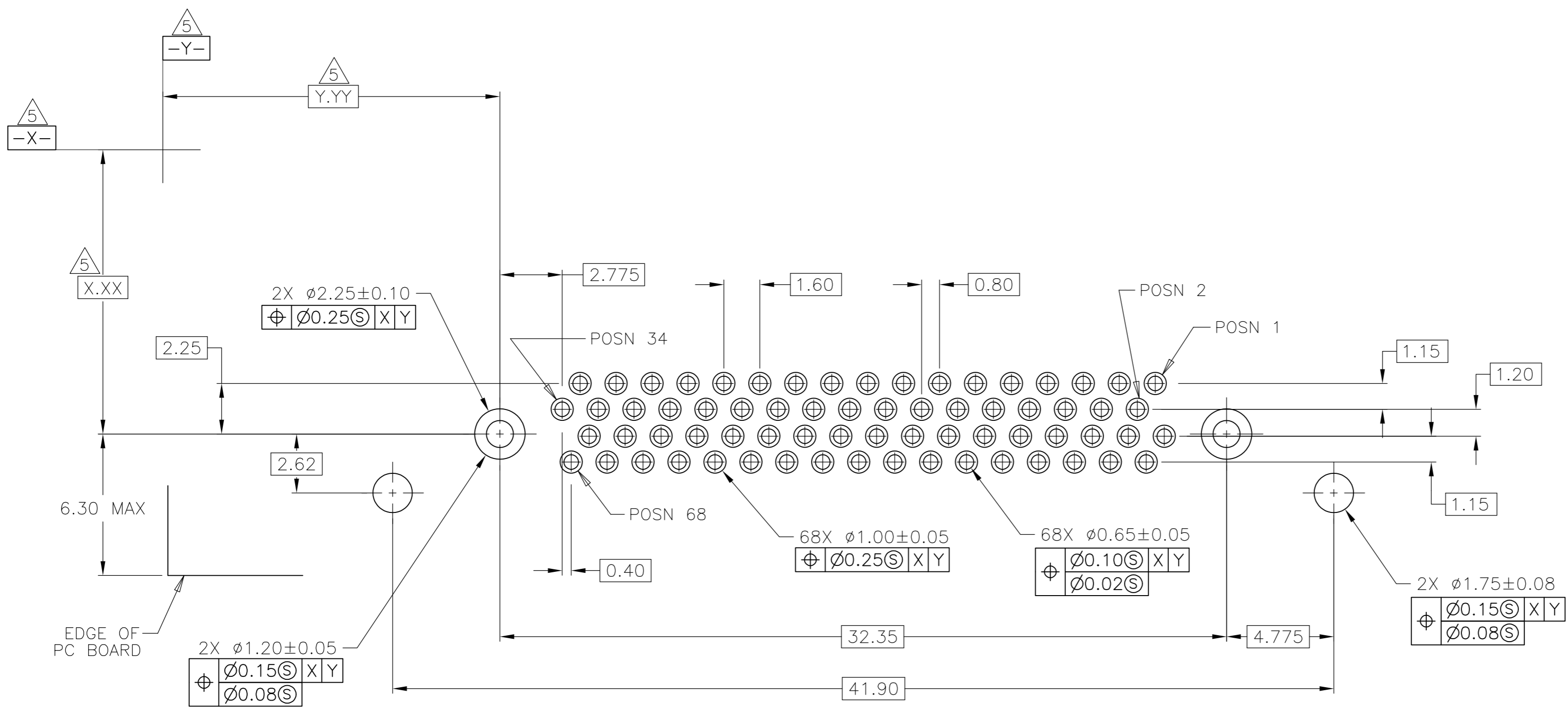
- ① HOUSING & PIN SPACER: THERMOPLASTIC, BLACK, UL 94V-0 RATED. SHELL: CARBON STEEL. CONTACTS: PHOSPHOR BRONZE. BRACKETS: STEEL.
- ② SHELL: 5.08µm MIN NICKEL OVER 2.54µm MIN COPPER. CONTACTS: 0.76µm MIN GOLD ON MATING END, 3.75µm MIN TIN ON SOLDER TAILS, BOTH OVER 1.27µm MIN NICKEL ON ENTIRE CONTACT. BRACKETS: TIN PLATED.
- ③ CONTACTS DESIGNED FOR USE ON 1.60±0.15 THICK PC BOARD WITH PLATED THRU MOUNTING HOLES.
- ④ RECEPTACLE ASSEMBLY DESIGNED FOR USE WITH 1.12±0.08 THICK PANEL.
- ⑤ DATUMS AND DIMENSIONS ESTABLISHED BY CUSTOMER.
- ⑥ POSITION TOLERANCE APPLIES AT CONTACT TIP ONLY.
- ⑦ CONTACTS DESIGNED FOR USE ON 2.35±0.15 THICK PC BOARD WITH PLATED THRU MOUNTING HOLES.
- ⑧ DATE CODE MARKED IN APPROXIMATE AREA SHOWN.

⑦	3.55	5796055-2
③	2.27	5796055-1
REMARKS	F	PART NUMBER

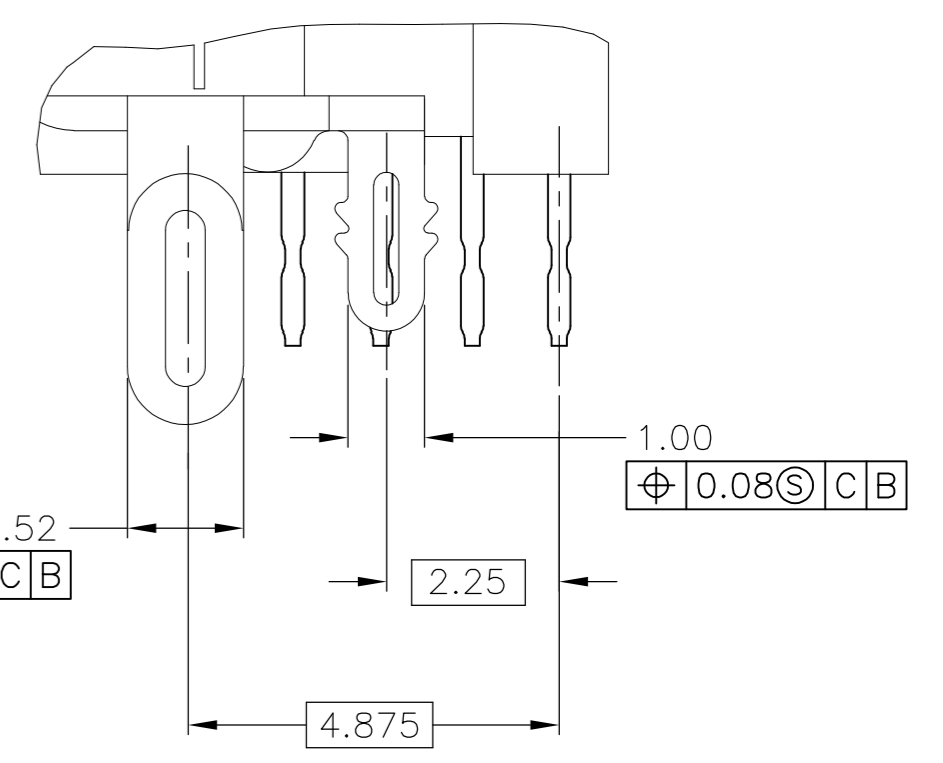
THIS DRAWING IS A CONTROLLED DOCUMENT.		DWN	J.GERACE	31JAN05	 TE Connectivity
DIMENSIONS: mm		CHK	S.SHUEY	31JAN05	
TOLERANCES UNLESS OTHERWISE SPECIFIED:		APVD	M.WALMSLEY	31JAN05	
0 PLC ± - 1 PLC ± - 2 PLC ± 0.13 3 PLC ± - 4 PLC ± - ANGLES ± - FINISH		PRODUCT SPEC	108-1471	NAME	
MATERIAL ①		APPLICATION SPEC	114-6057	SIZE	A2
FINISH ②		WEIGHT	-	CAGE CODE	00779
CUSTOMER DRAWING		SCALE 5:1		DRAWING NO	C=5796055
		SHEET 1 of 2		RESTRICTED TO	-
		REV B1			

THIS DRAWING IS UNPUBLISHED. RELEASED FOR PUBLICATION
 © COPYRIGHT - By - ALL RIGHTS RESERVED.

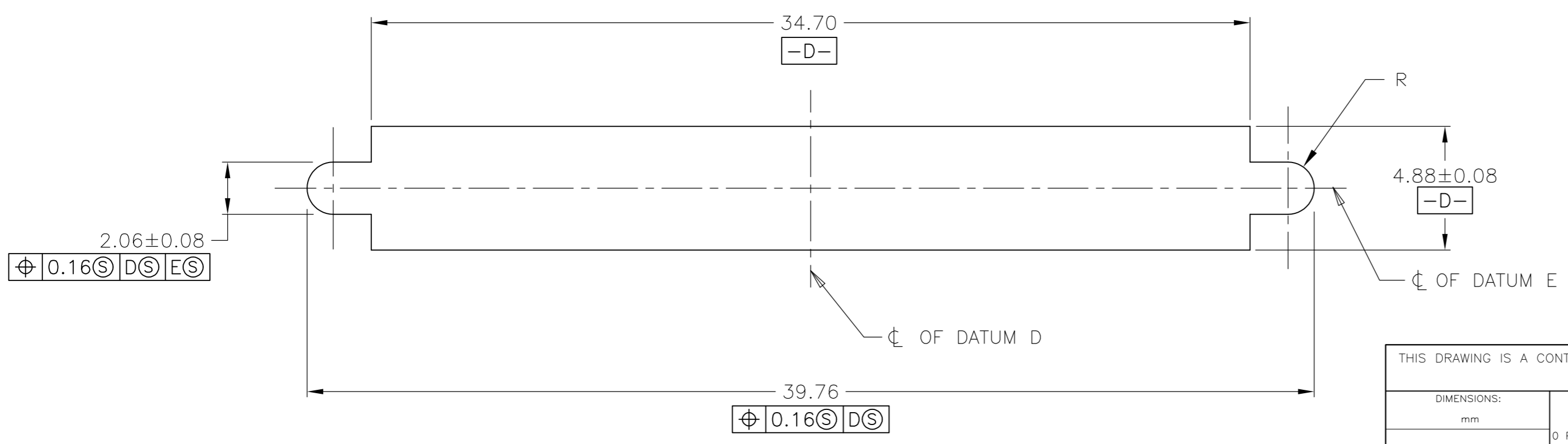
LOC		DIST		REVISIONS			
P	LTR	DESCRIPTION	DATE	DWN	APVD		
GP	00	SEE SHEET 1	-	-	-		



PC BOARD MOUNTING DIMENSIONS



DETAIL Z
SCALE 10:1



PANEL CUT-OUT DIMENSIONS

THIS DRAWING IS A CONTROLLED DOCUMENT.		DWN	J.GERACE	31JAN05	 TE Connectivity	
DIMENSIONS:		CHK	S.SHUEY	31JAN05		
mm		APVD	M.WALMSLEY	31JAN05		
TOLERANCES UNLESS OTHERWISE SPECIFIED:		PRODUCT SPEC				
0 PLC \pm - 1 PLC \pm - 2 PLC ± 0.13 3 PLC \pm - 4 PLC \pm - ANGLES \pm - FINISH -		APPLICATION SPEC			NAME	RECEPTACLE ASSEMBLY, RIGHT ANGLE, 68 POS, SHIELDED, CHAMP 0.8mm
MATERIAL		WEIGHT	-		SIZE	A2
		CUSTOMER DRAWING	SCALE	6:1	CAGE CODE	00779
			SHEET	2 OF 2	DRAWING NO	C=5796055
			REV	B1	RESTRICTED TO	-