

Distributed by:

JAMECO[®]
ELECTRONICS

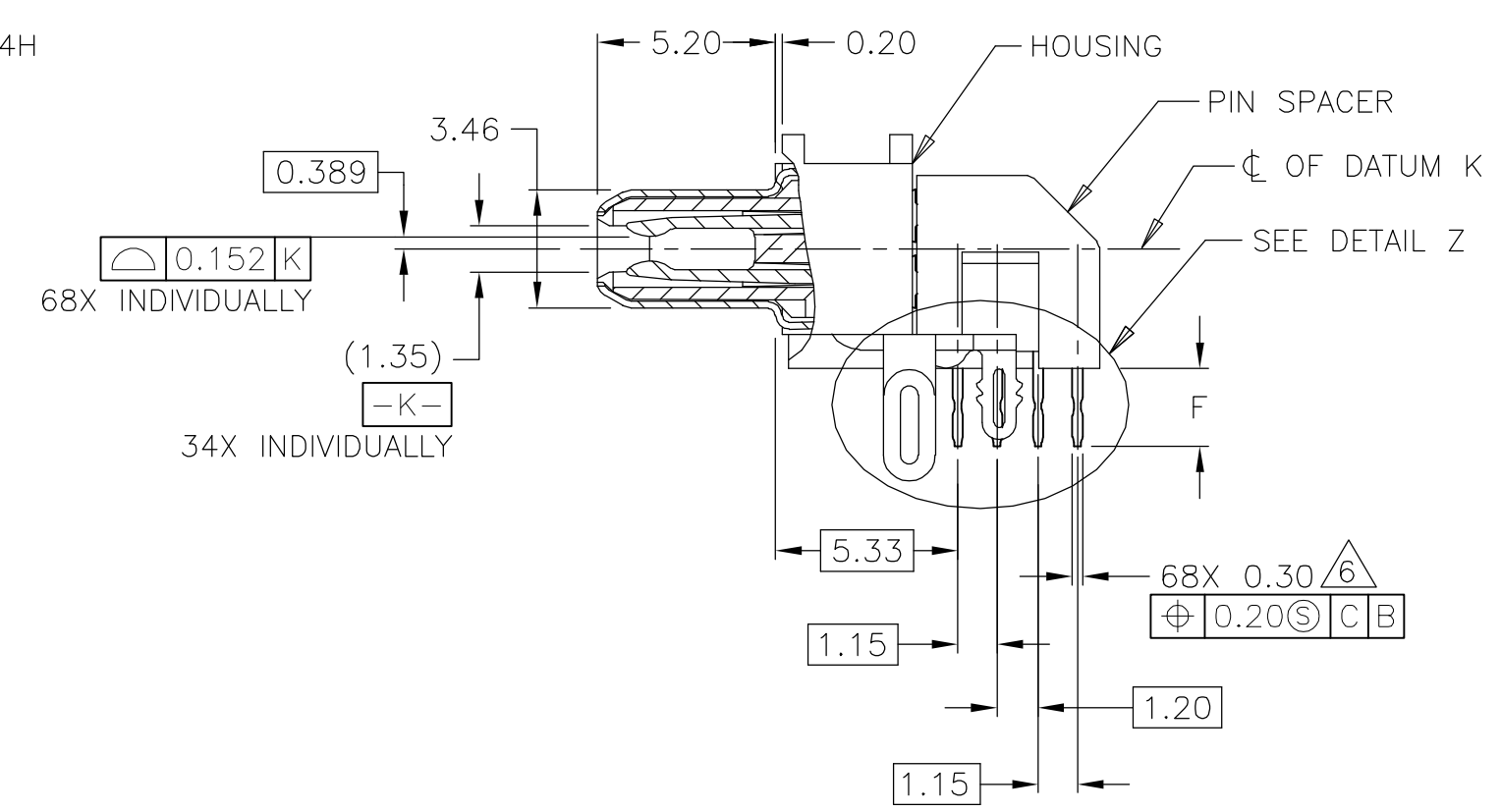
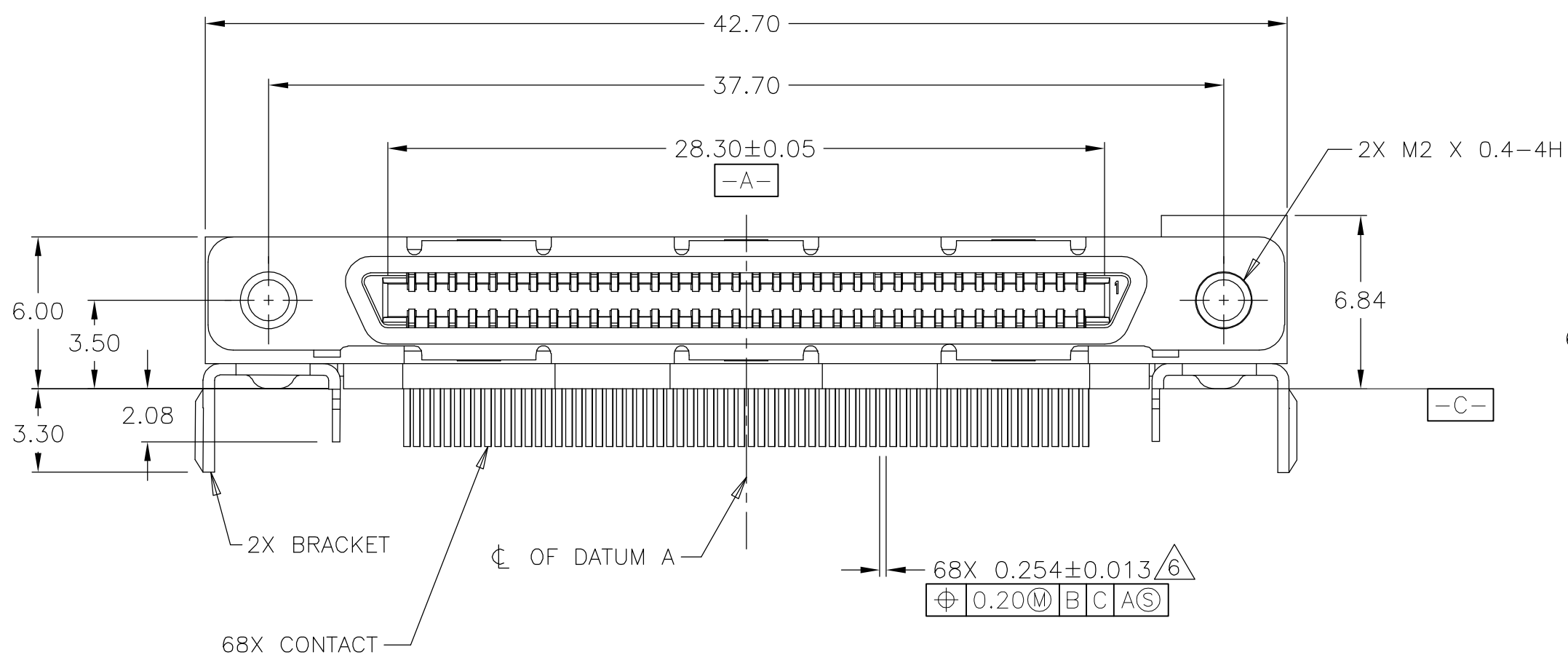
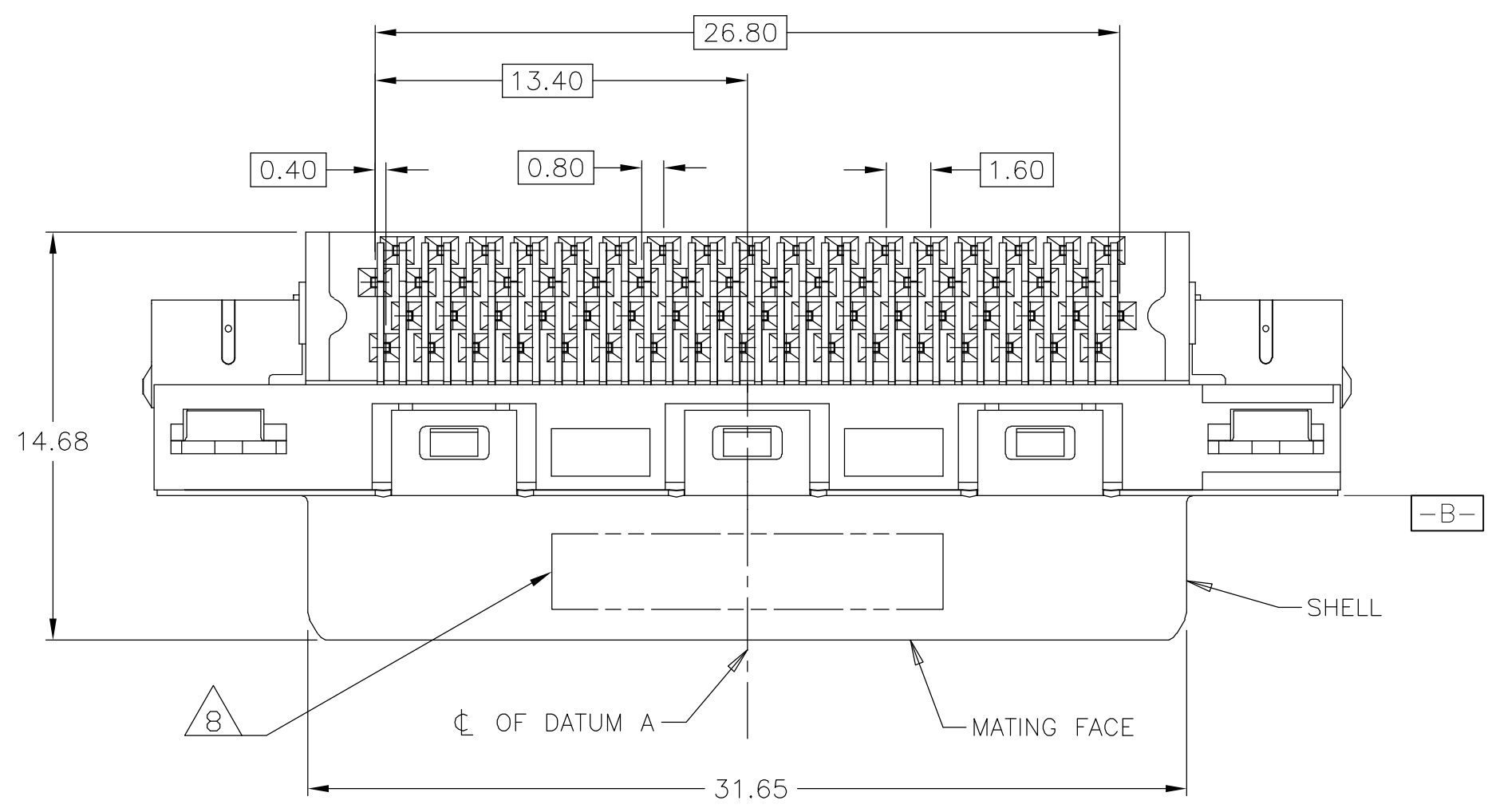
www.Jameco.com ♦ 1-800-831-4242

The content and copyrights of the attached
material are the property of its owner.

Jameco Part Number 1975328

THIS DRAWING IS UNPUBLISHED. RELEASED FOR PUBLICATION
 © COPYRIGHT BY TYCO ELECTRONICS CORPORATION. ALL RIGHTS RESERVED.

LOC	DIST	REVISIONS					
GP	00	P	LTR	DESCRIPTION	DATE	DWN	APVD
		B		REVISED PER ECO-07-004221	30MAR07	JDP	EDB



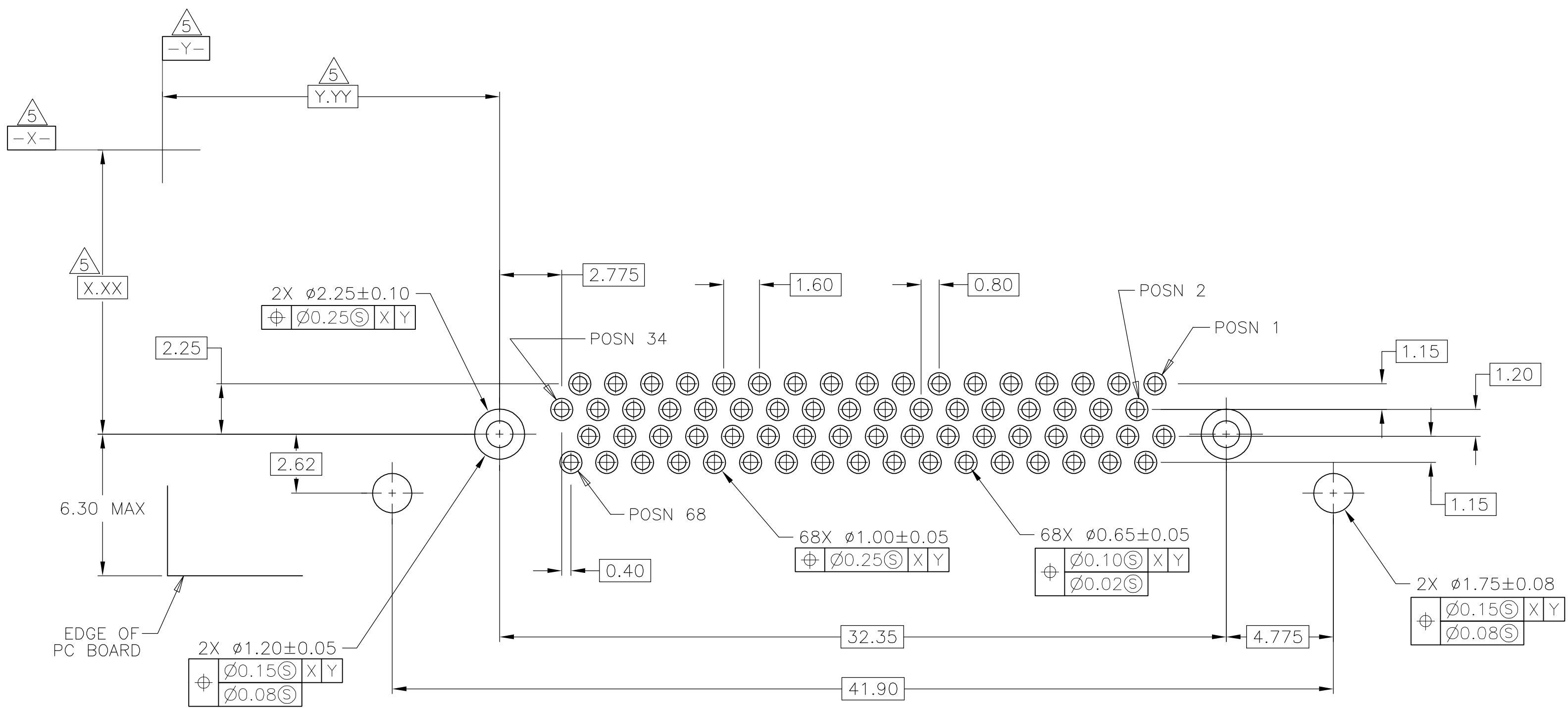
- ① HOUSING & PIN SPACER: THERMOPLASTIC, BLACK, UL 94V-0 RATED. SHELL: CARBON STEEL. CONTACTS: PHOSPHOR BRONZE. BRACKETS: STEEL.
- ② SHELL: 5.08µm MIN NICKEL OVER 2.54µm MIN COPPER. CONTACTS: 0.76µm MIN GOLD ON MATING END, 3.75µm MIN TIN ON SOLDER TAILS, BOTH OVER 1.27µm MIN NICKEL ON ENTIRE CONTACT. BRACKETS: TIN PLATED.
- ③ CONTACTS DESIGNED FOR USE ON 1.60±0.15 THICK PC BOARD WITH PLATED THRU MOUNTING HOLES.
- ④ RECEPTACLE ASSEMBLY DESIGNED FOR USE WITH 1.12±0.08 THICK PANEL.
- ⑤ DATUMS AND DIMENSIONS ESTABLISHED BY CUSTOMER.
- ⑥ POSITION TOLERANCE APPLIES AT CONTACT TIP ONLY.
- ⑦ CONTACTS DESIGNED FOR USE ON 2.35±0.15 THICK PC BOARD WITH PLATED THRU MOUNTING HOLES.
- ⑧ DATE CODE MARKED IN APPROXIMATE AREA SHOWN.

⑦	3.55	5796055-2
③	2.27	5796055-1
REMARKS	F	PART NUMBER

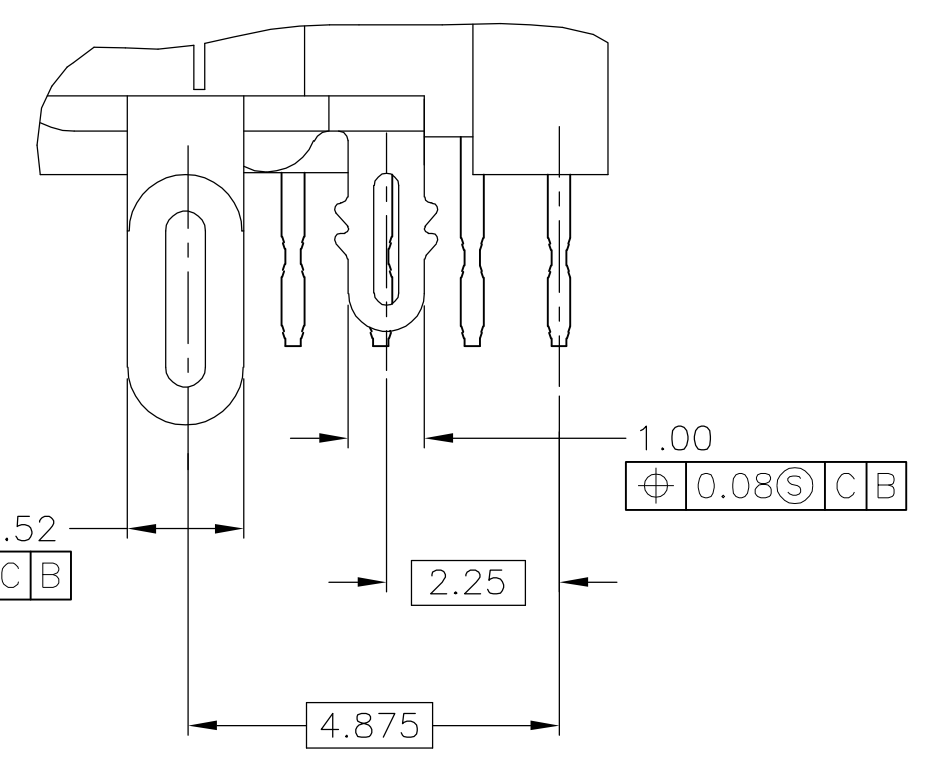
THIS DRAWING IS A CONTROLLED DOCUMENT.		DWN	J.GERACE	31JAN05	 Tyco Electronics Corporation Harrisburg, PA 17105-3608
DIMENSIONS: mm		CHK	S.SHUEY	31JAN05	
TOLERANCES UNLESS OTHERWISE SPECIFIED:		APVD	M.WALMSLEY	31JAN05	
0 PLC ± - 1 PLC ± - 2 PLC ± 0.13 3 PLC ± - 4 PLC ± - ANGLES ± - FINISH		PRODUCT SPEC	108-1471	NAME	
MATERIAL ①		APPLICATION SPEC	114-6057	SIZE	A2
		WEIGHT	-	CAGE CODE	00779
		FINISH ②		DRAWING NO	C=5796055
				RESTRICTED TO	-
				SCALE	5:1
				SHEET	1 of 2
				REV	B

THIS DRAWING IS UNPUBLISHED. RELEASED FOR PUBLICATION
 © COPYRIGHT BY TYCO ELECTRONICS CORPORATION. ALL RIGHTS RESERVED.

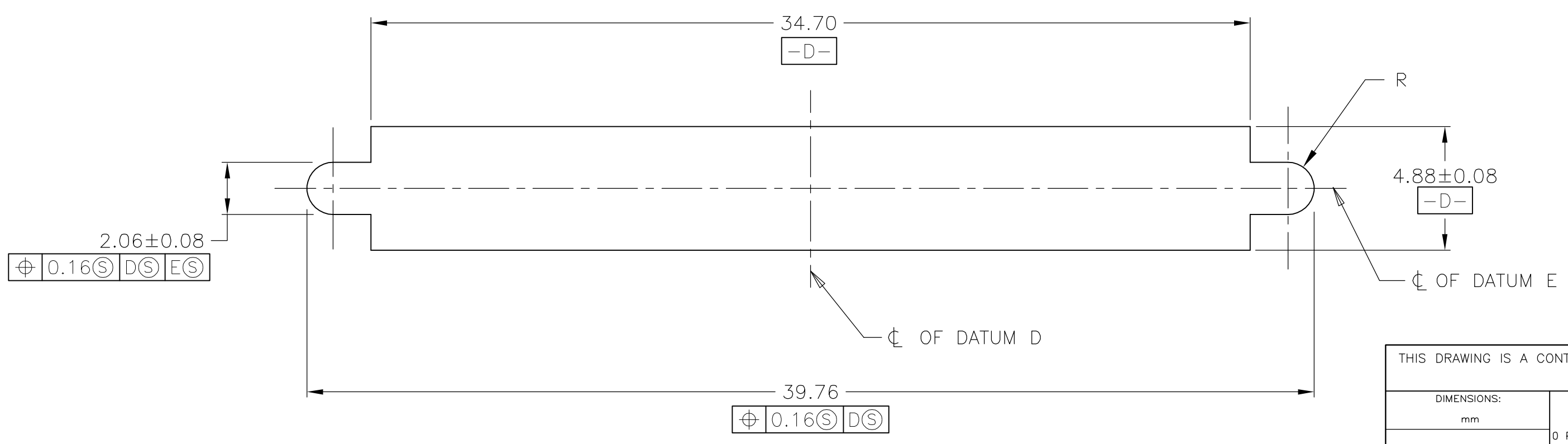
LOC	DIST	REVISIONS			
P	LTR	DESCRIPTION	DATE	DWN	APVD
GP	00	SEE SHEET 1	-	-	-



PC BOARD MOUNTING DIMENSIONS



DETAIL Z SCALE 10:1



PANEL CUT-OUT DIMENSIONS

THIS DRAWING IS A CONTROLLED DOCUMENT.		DWN J.GERACE 31JAN05	 Tyco Electronics Corporation Harrisburg, PA 17105-3608
DIMENSIONS: mm		CHK S.SHUEY 31JAN05	
TOLERANCES UNLESS OTHERWISE SPECIFIED:		APVD M.WALMSLEY 31JAN05	
0 PLC ± - 1 PLC ± - 2 PLC ± 0.13 3 PLC ± - 4 PLC ± - ANGLES ± - FINISH -		NAME PRODUCT SPEC APPLICATION SPEC WEIGHT	
MATERIAL		PRODUCT SPEC APPLICATION SPEC WEIGHT	SIZE A2 CAGE CODE 00779 DRAWING NO C=5796055 RESTRICTED TO SCALE 6:1 SHEET 2 OF 2 REV B
		CUSTOMER DRAWING	